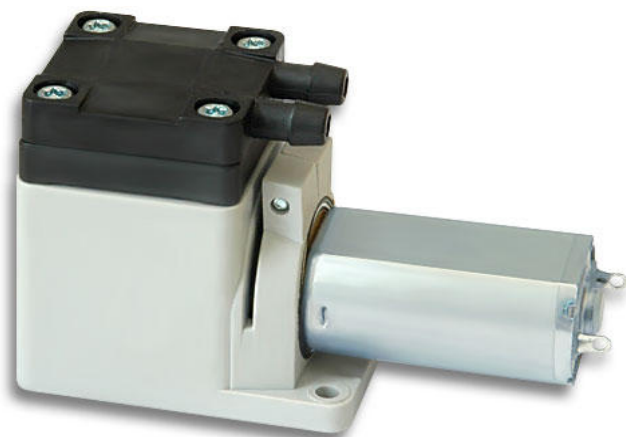


280 EC-G-L  
285 EC-G-L



SP 580 EC-G-L  
SP 585 EC-G-L

#### Product Features

- dosing pump
- contamination free, oil free
- self-priming
- virtually leak tight
- high corrosion resistancy
- safe to run dry
- high variety of dispensing volumes
- any fitting position possible
- excellent price-performance ratio

#### Applications

- Metering Technology
- Laboratory Industry
- Environmental Technology
- Water Treatment
- Fuel Cells
- Printing Industry
- Cleaning Industry



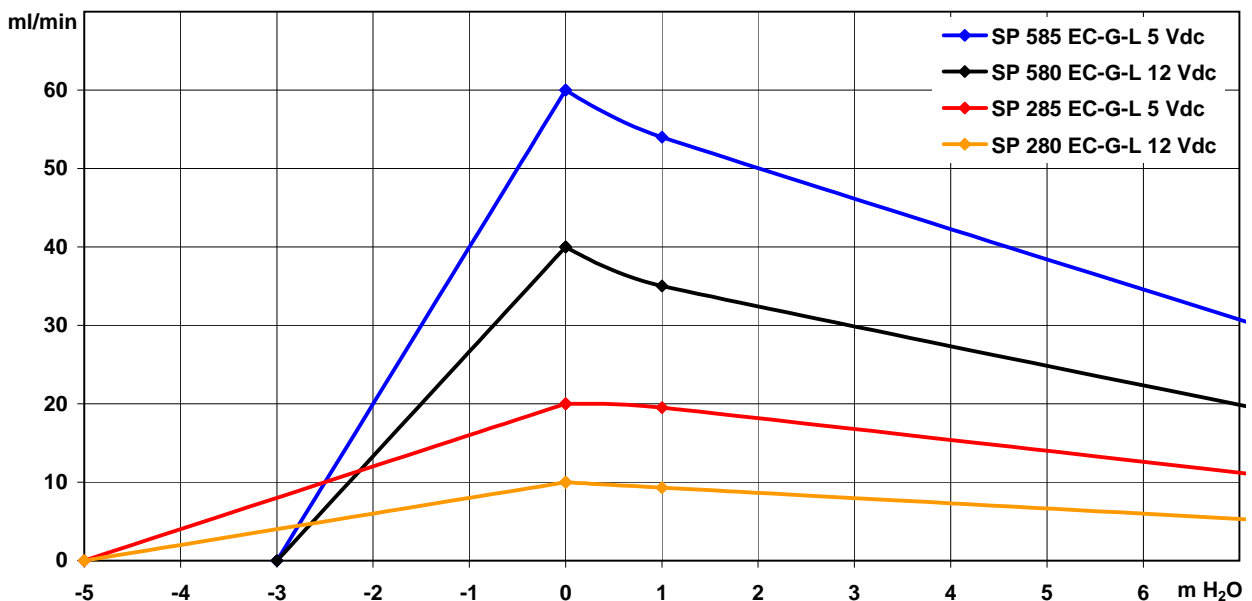
## 280 EC-G-L / 285 EC-G-L / 580 EC-G-L / 585 EC-G-L

The pumps listed below represent a typical selection of our wide range of eccentric pumps and are intended for initial tests. Customised versions for your individual application would be made without extra costs - please contact us!

Designation	SP 280 EC-G-L		SP 285 EC-G-L		SP 580 EC-G-L		SP 585 EC-G-L	
Operating Voltage*	5 Vdc	12 Vdc	5 Vdc	12 Vdc	5 Vdc	12 Vdc	5 Vdc	12 Vdc
Art.No.		7s56110	7s56115		7s56160		7s56165	
<b>Hydraulic Performance (measured with water)</b>								
Free Flow [ml/min]	10	10	20	20	40	40	60	60
Flow at 1m H <sub>2</sub> O [ml/min]	9,3	9,3	19,5	19,5	35,0	35,0	54,0	54,0
Max Press. Height [m H <sub>2</sub> O]	>15	>15	>15	>15	>15	>15	>15	>15
Max Vacuum (dry) [mbar]	not self-priming				250	250	250	250
Max Suction Height (filled with water) [m H <sub>2</sub> O]	-5,0	-5,0	-5,0	-5,0	-3,0	-3,0	-3,0	-3,0
<b>Power Consumption</b>								
Motor Type	Iron Core				Iron Core			
standard								
optional	-				-			
max. curr. at free flow [mA]		25	150			30	100	
<b>Construction</b>								
Pump Body / Head	PPS							
standard								
optional	customer specific - upon request							
Diaphragm	EPDM							
standard								
optional	FPM (Viton) / Silicone / PTFE (Teflon) / FFPM (Kalrez)							
Valves	EPDM							
standard								
optional	FPM (Viton) / Silicone / FFPM (Kalrez)							
Weight [g]	37		37		45		45	

\*other voltages on request

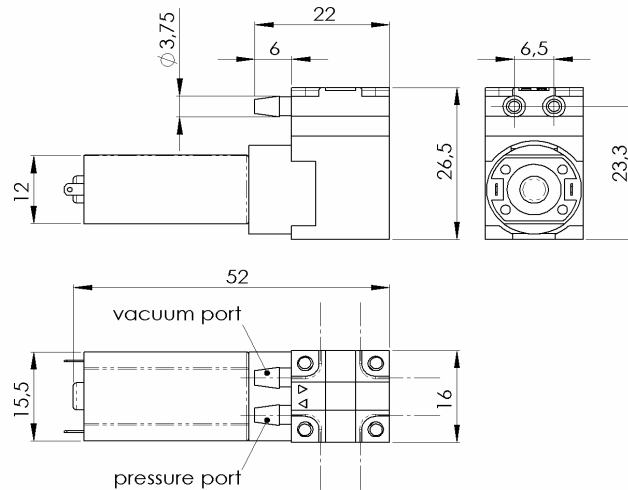
### Performance Curves



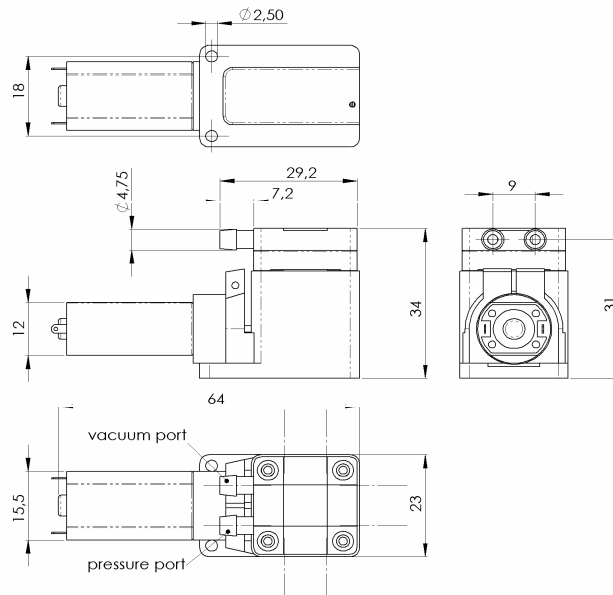


## 280 EC-G-L / 285 EC-G-L / 580 EC-G-L / 585 EC-G-L

### 280 EC-G-L / 285 EC-G-L



### 580 EC-G-L / 585 EC-G-L



Standard: connection ports as shown. Optional: 3 other port positions possible (see dashed lines)