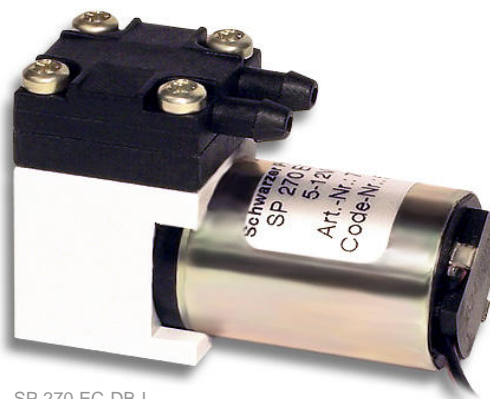
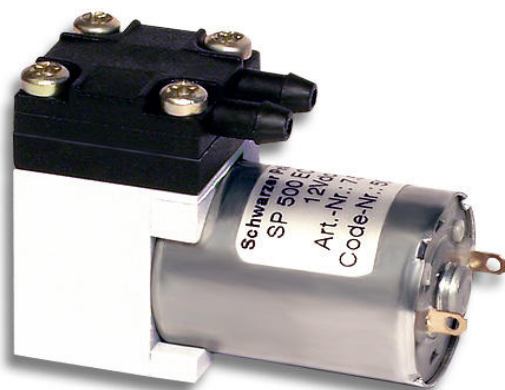


SP 200 EC-LC-L



SP 270 EC-DB-L



SP 270 EC-LC-L

Product Features

- oil free
- maintenance free
- reduced vibrations
- very low noise
- small size
- lightweight
- minimal current consumption
- self priming

Applications

- Industrial Applications
- Medical Applications
- Laboratory and Analytical Applications
- Cooling and Heating
- Cleaning

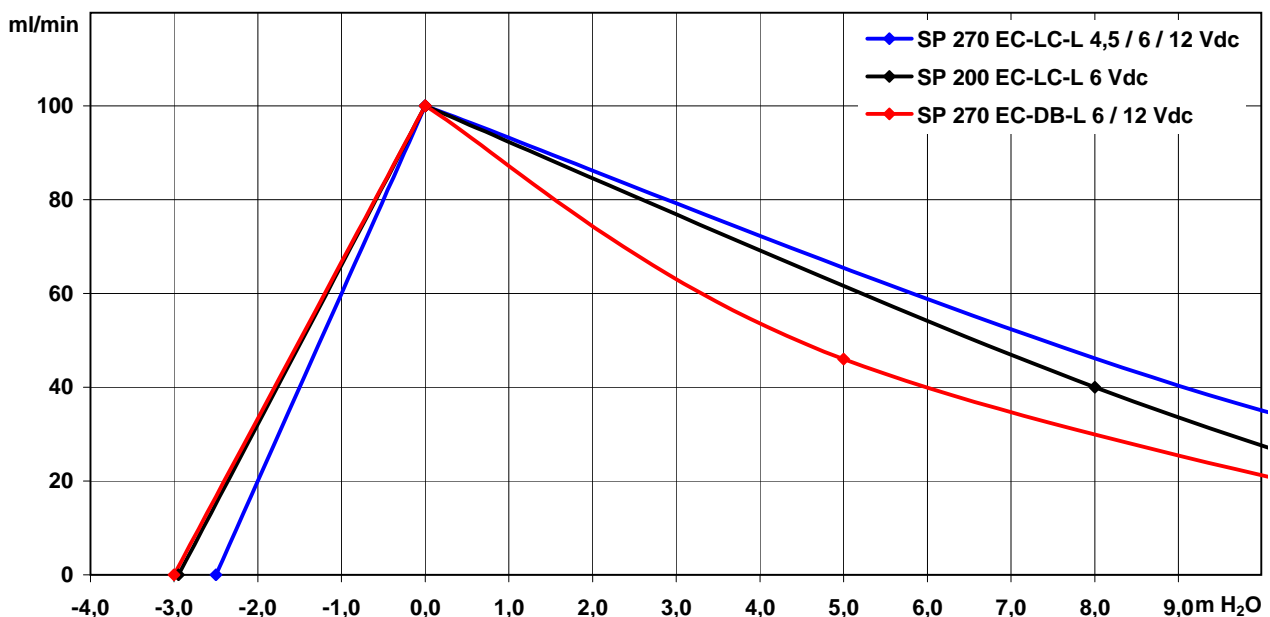


The pumps listed below represent a typical selection of our wide range of eccentric pumps and are intended for initial tests. Customised versions for your individual application would be made without extra costs - please contact us!

Designation	SP 200 EC-LC-L		SP 270 EC-LC-L		SP 270 EC-DB-L		
Operating Voltage*	6 Vdc		4,5 Vcd	6 Vdc	12 Vdc	6 Vdc	12 Vdc
Art.No.	7s55090		7s55049	7s55089	7s55079	7s55097	7s55096
Hydraulic Performance (measured with water)							
Free Flow [ml/min]	100		100	100	100	100	100
Max Press. Height [m H ₂ O]	> 10		> 10	> 10	> 10	> 10	> 10
Although the pumps are able to produce pressure above 10 mWC, it is not recommended to exceed this limit!							
Max Vacuum (dry) [mbar]	-150		-200	-200	-200	-150	-150
Max Suction Height (filled with water) [m H ₂ O]	-3,0		-2,5	-2,5	-2,5	-3,0	-3,0
Power Consumption							
Motor Type	standard	Iron Core DC	Iron Core DC		long life skew wound brushless		
	optional	-	-				
max. curr. at free flow [mA]	240		130	110	100	100	100
Construction							
Pump Body / Head	standard			PPS			
	optional			PA6			
Diaphragm, Valves	standard			EPDM			
	optional			FPM (Viton)			
Weight [g]	17,1		25,3		30,3		

* other voltages on request

Performance Curves

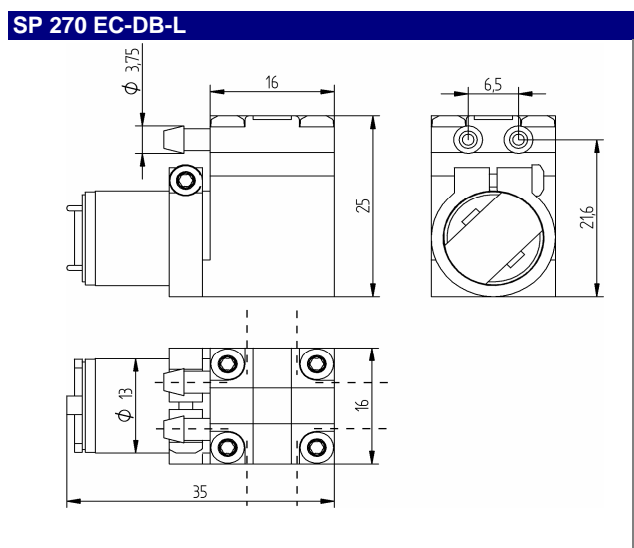
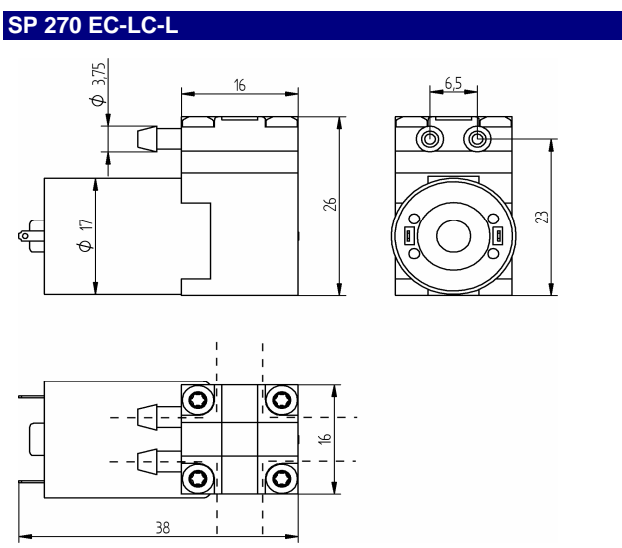
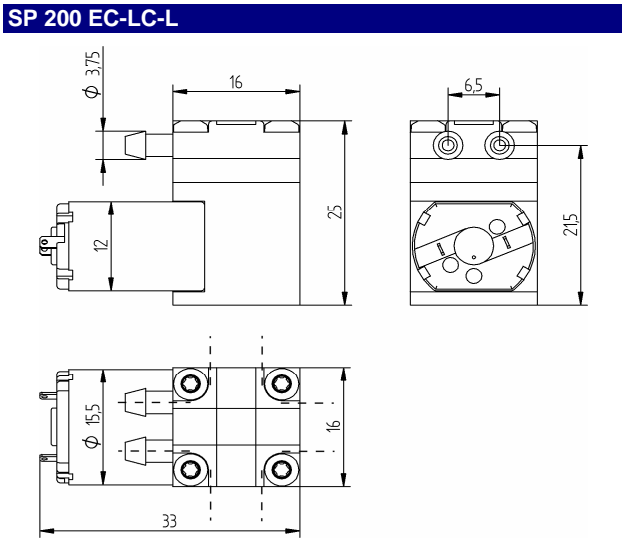


Steeler Strasse 477 • 45276 Essen • Germany
 Phone: +49 201 31697-0 • Fax: +49 201 31697-29
 e-mail: info@schwarzer.com • http://www.schwarzer.com



In order to reduce noise and vibration we recommend securing the pump in one of the following ways:

- with padded double sided adhesive tape
- with Velcro (hook and loop) tape for easy assembly and service
- Put the pump in a box lined with foam. Wires for the motor and tubing for the pump can go through a hole in the side of the box.



Standard: connection ports as shown. Optional: 3 other port positions possible (see dashed lines)