



SP 500 EC-LC-L



SP 550 EC-DB-L

Product Features

- oil free
- maintenance free
- reduced vibrations
- very low noise
- small size
- lightweight
- minimal current consumption
- self priming

Applications

- Industrial Applications
- Medical Applications
- Laboratory and Analytical Applications
- Cooling and Heating
- Cleaning

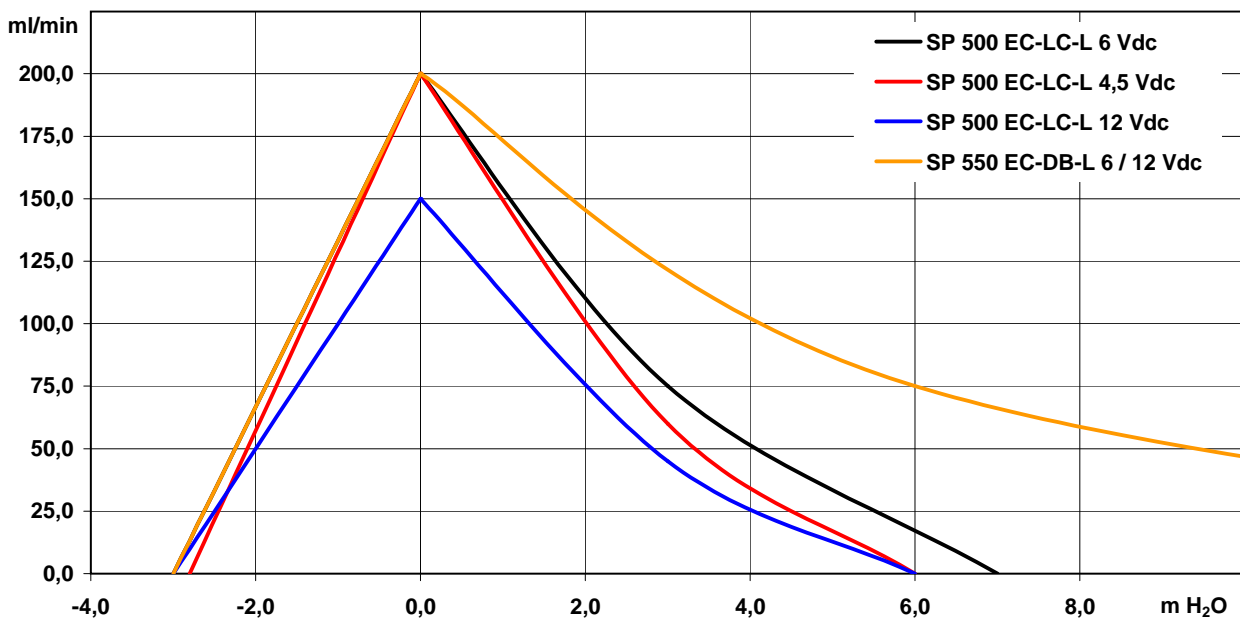


The pumps listed below represent a typical selection of our wide range of eccentric pumps and are intended for initial tests. Customised versions for your individual application would be made without extra costs - please contact us!

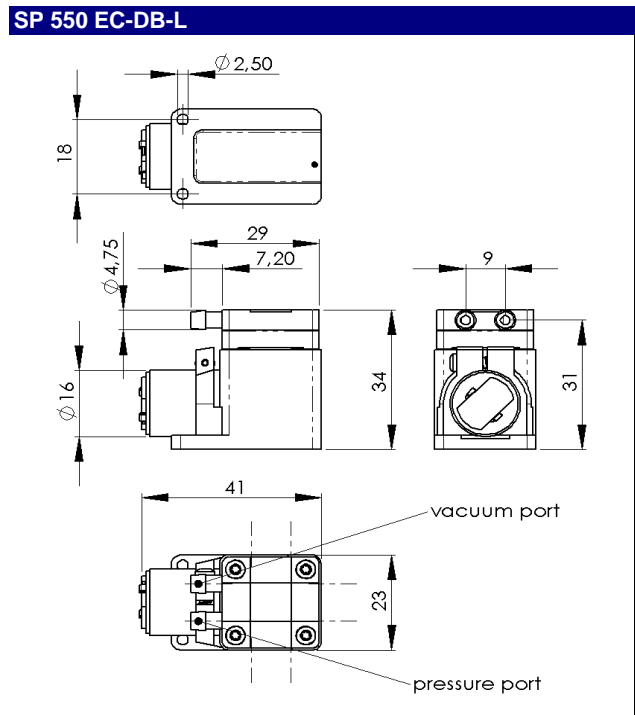
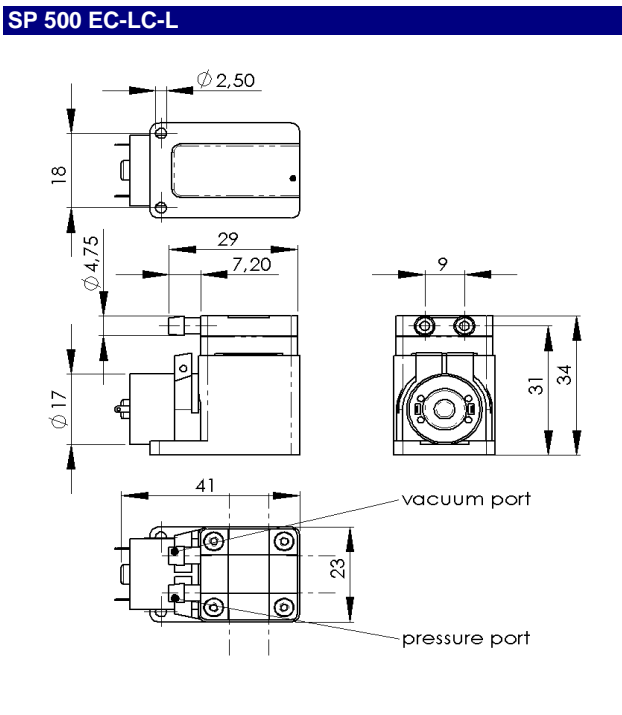
| Designation | SP 500 EC-LC-L | | | SP 550 EC-DB-L | |
|--|---|------------------|-------------------|--------------------------------|-------------------|
| Operating Voltage* Art.No. | 4,5 Vdc 7s51090 | 6 Vdc 7s51099 | 12 Vdc 7s51091 | 6 Vdc 7s56064 | 12 Vdc 7s56063 |
| Hydraulic Performance (measured with water) | | | | | |
| Free Flow [ml/min] | 200 | 200 | 150 | 200 | 200 |
| Max Press. Height [m H ₂ O] | > 6 | > 7 | > 6 | > 10 | > 10 |
| Max Vacuum (dry) [mbar] | -200 | -270 | -270 | -270 | -270 |
| Max Suction Height (filled with water) [m H ₂ O] | -2,8 | -3,0 | -3,0 | -3,0 | -3,0 |
| Power Consumption | | | | | |
| Motor Type | Iron Core DC | | | long life skew wound brushless | |
| standard | | | | | |
| optional | | - | | | |
| max. curr. at free flow [mA] | 250 | 200 | 150 | 200 | 150 |
| Construction | | | | | |
| Pump Body / Head | PPS PA6 | | | | |
| standard | | | | | |
| optional | | | | | |
| Diaphragm, Valves | EPDM FPM (Viton) / FFPM (Kalrez) / PTFE (Teflon) | | | | |
| standard | | | | | |
| optional | | | | | |
| Weight [g] | 36,7 | | | 41,0 | |

* other voltages on request

Performance Curves



Steeler Strasse 477 • 45276 Essen • Germany
 Phone: +49 201 31697-0 • Fax: +49 201 31697-29
 e-mail: info@schwarzer.com • http://www.schwarzer.com



Standard: connection ports as shown. Optional: 3 other port positions possible (see dashed lines)