



SP 600 EC-L  
SP 620 EC-L  
SP 625 EC-L



SP 600 EC-LC-L  
SP 620 EC-LC-L

#### Product Features

- diaphragm mini pump for liquids (e.g. water)
- oil free / maintenance free
- self priming / leak tight
- reduced vibrations
- very low noise
- small size
- lightweight
- minimal current consumption
- available in 6 / 12 / 24 volt dc

#### Applications

- Industrial Applications
- Medical Applications
- Laboratory and Analytical Applications
- Cooling and Heating
- Cleaning
- Random Access Analyzers

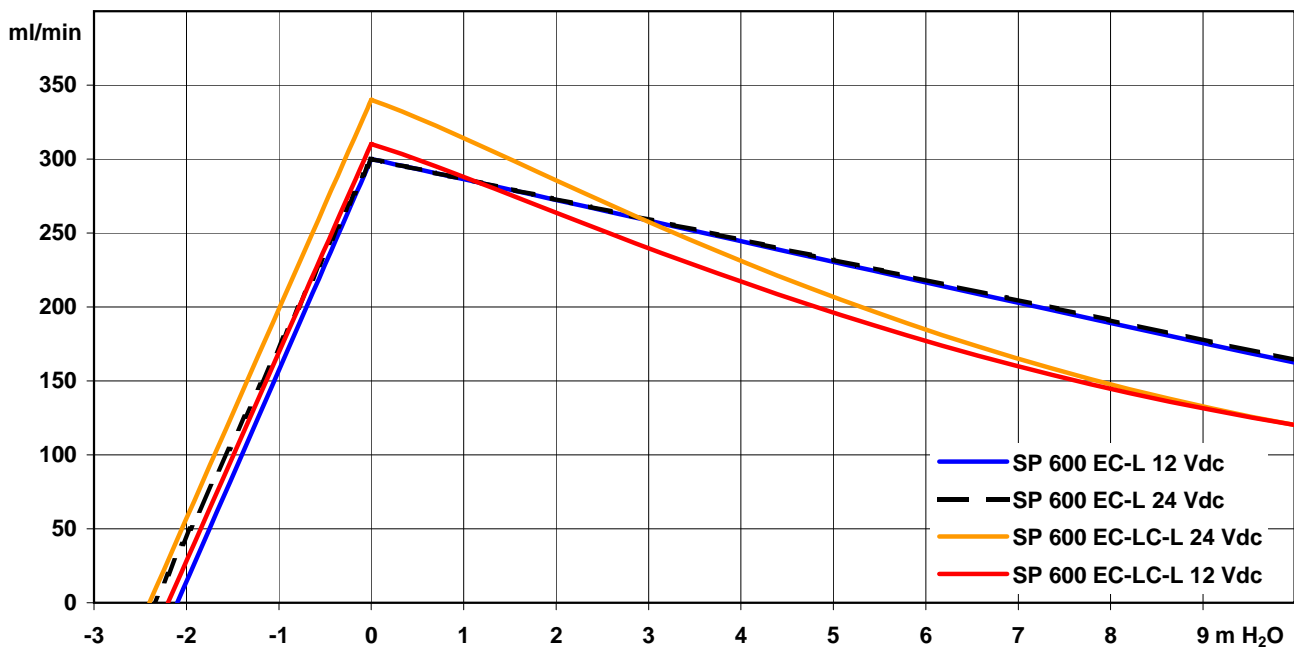


# SP 600 EC-L / 620 EC-L / 625 EC-L

The pumps listed below represent a typical selection of our wide range of eccentric pumps and are intended for initial tests. Customised versions for your individual application would be made without extra costs - please contact us!

Designation	SP 600 EC-LC-L		SP 600 EC-L	
Operating Voltage	12 Vdc	24 Vdc	12 Vdc	24 Vdc
Art.No.	7s52150	7s52151	7s52165	7s52166
<b>Hydraulic Performance (measured with water)</b>				
Free Flow [ml/min]	310	340	300	300
Max Press. Height [m H <sub>2</sub> O]	>10	>10	>10	>10
Although the pumps are able to produce pressure above 10 mWC, it is not recommended to exceed this limit!				
Max Vacuum (dry) [mbar]	-150	-150	-150	-150
Max Suction Height (filled with water) [m H <sub>2</sub> O]	-2,2	-2,4	-2,1	-2,35
<b>Power Consumption</b>				
Motor Type	standard optional	Iron Core DC with Electromagnetic Suppression brushless		
max Curr. at free flow [mA]	760	250	230	130
<b>Construction</b>				
Pump Body / Head	standard optional	PPS customer specific - upon request		
Diaphragm, Valves	standard optional	EPDM FPM (Viton) / FFPM (Kalrez) / PTFE (Teflon)		
Weight [g]	165		184	

## Performance Curves



Steeler Strasse 477 • 45276 Essen • Germany  
 Phone: +49 201 31697-0 • Fax: +49 201 31697-29  
 e-mail: info@schwarzer.com • http://www.schwarzer.com

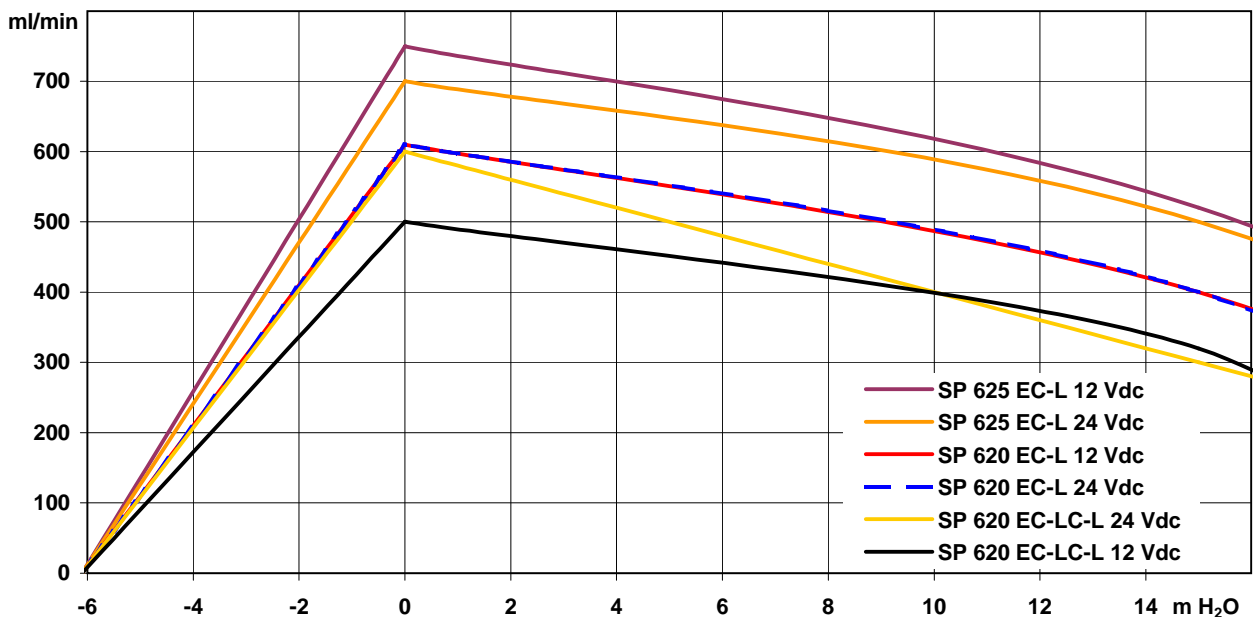


# SP 600 EC-L / 620 EC-L / 625 EC-L

The pumps listed below represent a typical selection of our wide range of eccentric pumps and are intended for initial tests. Customised versions for your individual application would be made without extra costs - please contact us!

Designation	SP 620 EC-LC-L		SP 620 EC-L		SP 625 EC-L	
Operating Voltage	12 Vdc	24 Vdc	12 Vdc	24 Vdc	12 Vdc	24 Vdc
Art.No.	7s57009	7s57010	7s57007	7s57008	7s57054	7s57055
<b>Hydraulic Performance (measured with water at 20°C)</b>						
Free Flow [ml/min]	500	600	610	610	750	700
Flow at 15 mWC [ml/min]	320	300	400	400	520	500
Max Press. Height [m H <sub>2</sub> O]	>10	>10	>15	>15	>15	>15
Although the pumps are able to produce pressure above 10 mWC, it is not recommended to exceed this limit!						
Max Vacuum (dry) [mbar]	-290	-290	-300	-300	-300	-300
Max Suction Height (filled with water) [m H <sub>2</sub> O]	-6,1	-6,1	-6,1	-6,1	-6,1	-6,1
<b>Motor / Power Consumption</b>						
Motor Type	Low Cost Iron Core		Long Life Double Ball Bearing		Long Life Double Ball B. brushless	
standard						
optional	-		-			
Max Current [mA]	450	280	500	250	500	250
<b>Construction</b>						
Pump Head	PPS					
standard						
optional	customer specific - upon request					
Diaphragm, Valves	EPDM					
standard						
optional	FPM (Viton) / FFPM (Kalrez) / PTFE (Teflon)					
Weight [g]	165		184		187	

## Performance Curves



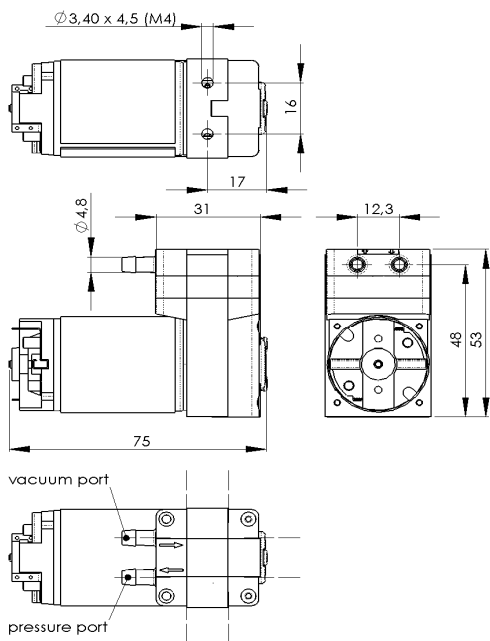
Schwarzer Precision

Steeler Strasse 477 • 45276 Essen • Germany  
 Phone: +49 201 31697-0 • Fax: +49 201 31697-29  
 e-mail: info@schwarzer.com • http://www.schwarzer.com

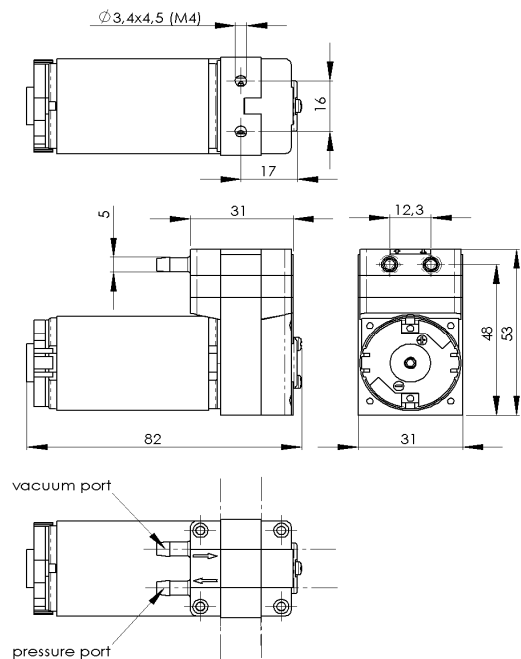


Eccentric Diaphragm Pumps for Liquids  
**SP 600 EC-L / 620 EC-L / 625 EC-L**

**SP 600 EC-LC-L / 620 EC-LC-L**



**SP 600 EC-L / 620 EC-L / 625 EC-L**



Standard: connection ports as shown. Optional: 3 other port positions possible (see dashed lines)