



Eccentric Diaphragm Pumps for Liquids SP 620 / 622 / 625 / 628 EC-DU-L



SP 620 EC-DU-L



SP 622 EC-BL-DU-L



SP 625 EC-LC-DU-L



SP 628 EC-DU-L

Product Features

- diaphragm mini pump für liquids (e.g. water)
- delivers two different media at the same time
- vacuum and pressure pump
- self priming
- leak tight
- minimal current consumption
- oil free / maintenace free
- reduced vibrations
- low noise
- lightweight

Applications

- Industrial Applications
- Medical Applications
- Laboratory and Analytical Applications
- Cooling and Heating
- Cleaning
- Random Access Analyzers



Steeler Strasse 477 • 45276 Essen • Germany
Phone: +49 201 31697-0 • Fax: +49 201 31697-29
e-mail: info@schwarzer.com • <http://www.schwarzer.com>

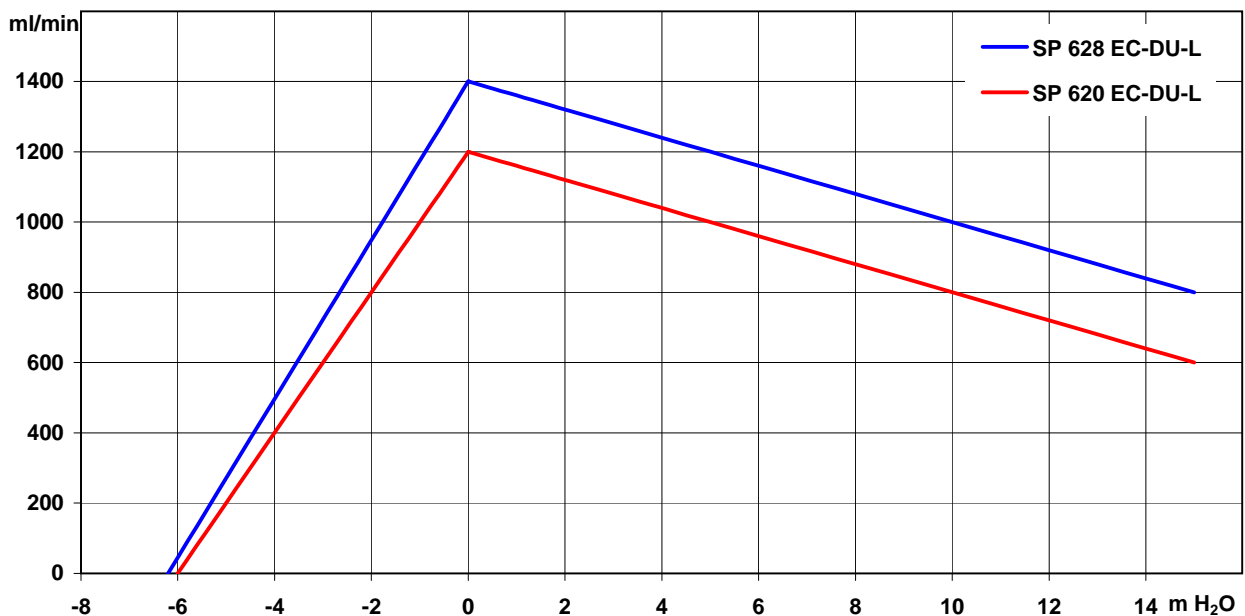


SP 620 / 622 / 625 / 628 EC-DU-L

The pumps listed below represent a typical selection of our wide range of eccentric pumps and are intended for initial tests. Customised versions for your individual application would be made without extra costs - please contact us!

Designation	SP 620 EC-DU-L		SP 628 EC-DU-L	
Operating Voltage	12 Vdc	24 Vdc	12 Vdc	24 Vdc
Art.No.				
Hydraulic Performance (measured with water @ 20°) parallel				
Free Flow [ml/min]	1200	1100	1400	1400
Flow @ 15m H ₂ O [ml/min]	600	500	800	800
Max Press. Height [m H ₂ O]	>15	>15	>15	>15
<i>Although the pumps are able to produce pressure above 15 mWC, it is not recommended to exceed this limit!</i>				
Max Vacuum (dry) [mbar]	-300	-300	-300	-300
Max Suction Height (filled with water) [m H ₂ O]	-6,0	-6,0	-6,2	-6,2
Power Consumption				
Motor Type	standard optional	Long Life Iron Core Double Ball Bearing		
max Curr. at free flow [mA]	820	400	1040	520
Construction				
Pump Body / Head	standard optional	PPS customer specific - upon request		
Diaphragm, Valves	standard optional	EPDM FPM (Viton) / FFPM (Kalrez) / PTFE (Teflon)		
Weight [g]		235		320

Performance Curves



Steeler Strasse 477 • 45276 Essen • Germany
 Phone: +49 201 31697-0 • Fax: +49 201 31697-29
 e-mail: info@schwarzer.com • http://www.schwarzer.com

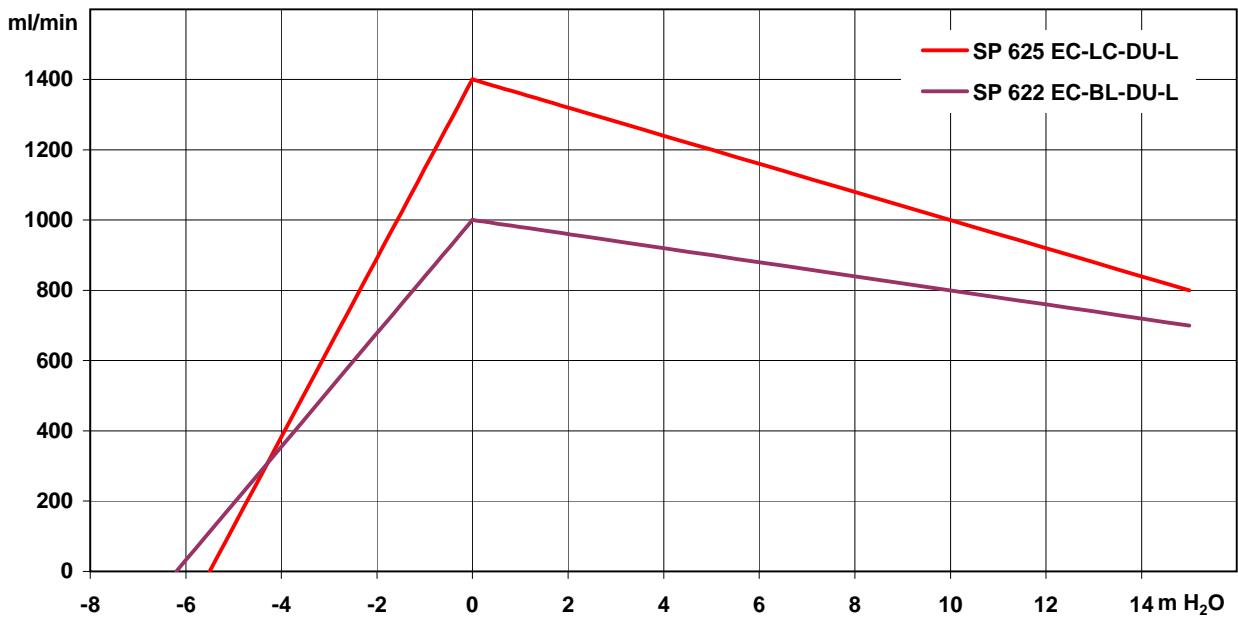


SP 620 / 622 / 625 / 628 EC-DU-L

The pumps listed below represent a typical selection of our wide range of eccentric pumps and are intended for initial tests. Customised versions for your individual application would be made without extra costs - please contact us!

Designation	SP 622 EC-BL-DU-L		SP 625 EC-LC-DU-L	
Operating Voltage	12 Vdc	24 Vdc	12 Vdc	24 Vdc
Art.No.				
Hydraulic Performance (measured with water @ 20°) parallel				
Free Flow [ml/min]	1000	1000	1400	1400
Flow @ 15m H ₂ O [ml/min]	700	700	800	800
Max Press. Height [m H ₂ O]	> 15	> 15	> 15	> 15
<i>Although the pumps are able to produce pressure above 15 mWC, it is not recommended to exceed this limit!</i>				
Max Vacuum (dry) [mbar]	-300	-300	-300	-300
Max Suction Height (filled with water) [m H ₂ O]	-6,2	-6,2	-5,5	-5,5
Power Consumption				
Motor Type	standard	Long Life Brushless	Low Cost Iron Core	
	optional	Double Ball Bearing	Double Ball Bearing	
max Curr. at free flow [mA]	1000	570	1260	660
Construction				
Pump Body / Head	standard	PPS		
	optional	customer specific - upon request		
Diaphragm, Valves	standard	EPDM		
	optional	FPM (Viton) / FFPM (Kalrez) / PTFE (Teflon)		
Weight [g]		295		250

Performance Curves



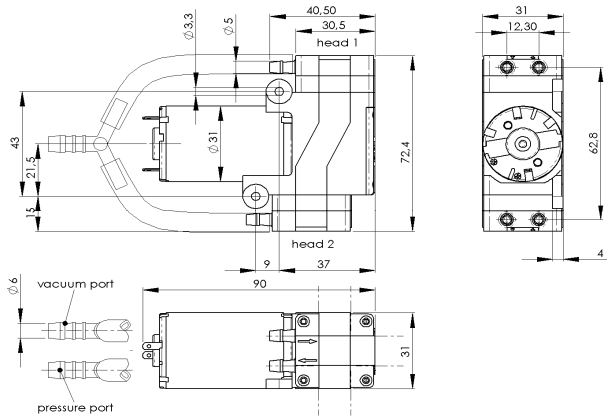
Steeler Strasse 477 • 45276 Essen • Germany
 Phone: +49 201 31697-0 • Fax: +49 201 31697-29
 e-mail: info@schwarzer.com • http://www.schwarzer.com



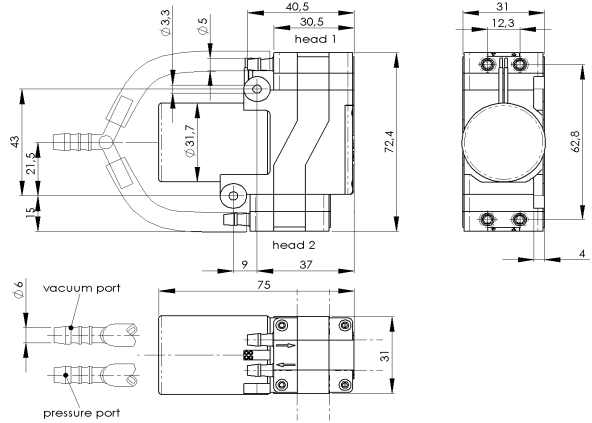
Eccentric Diaphragm Pumps for Liquids

SP 620 / 622 / 625 / 628 EC-DU-L

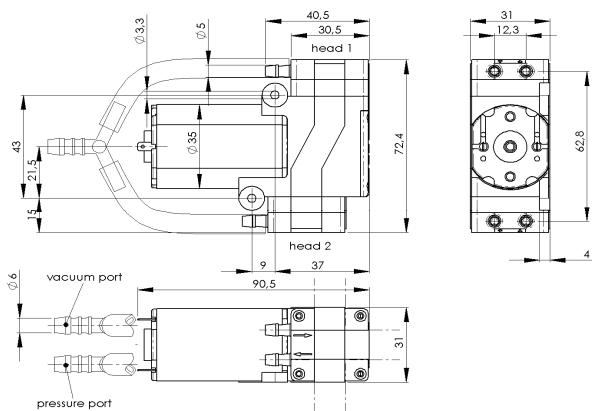
SP 620 EC-DU-L



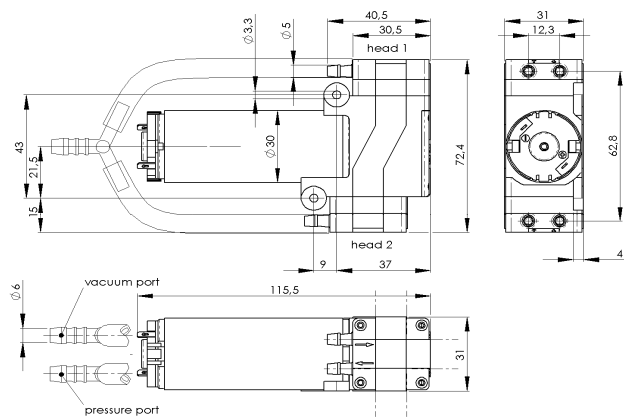
SP 622 EC-BL-DU-L



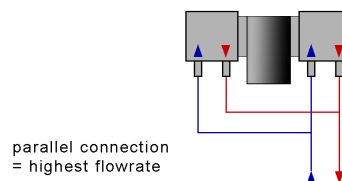
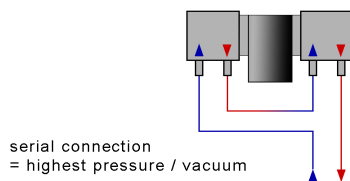
SP 625 EC-LC-DU-L



SP 628 EC-DU-L



Standard: connection ports as shown. Optional: 3 other port positions possible (see dashed lines)



Steeler Strasse 477 • 45276 Essen • Germany
 Phone: +49 201 31697-0 • Fax: +49 201 31697-29
 e-mail: info@schwarzer.com • http://www.schwarzer.com