



Eccentric Diaphragm Pumps for Gas / Air SP 620 / 622 / 625 / 628 EC-DU



SP 620 EC-DU



SP 622 EC-BL-DU



SP 625 EC-LC-DU



SP 628 EC-DU

Product Features

- delivers two different media at the same time
- oil free
- maintenance free
- minimum vibrations
- reduced pulsation
- low noise
- small size
- high flow
- lightweight
- minimal current consumption
- virtually leak tight

Applications

- Blood Pressure Monitoring
- Anaesthesia Equipment
- Exhaust Gas Analysers
- Gas Detectors
- Autosamplers
- Pipetting Devices
- Pneumatics



Schwarzer
Precision

Steeler Strasse 477 • 45276 Essen • Germany
Phone: +49 201 31697-0 • Fax: +49 201 31697-29
e-mail: info@schwarzer.com • <http://www.schwarzer.com>



SP 620 / 622 / 625 / 628 EC-DU

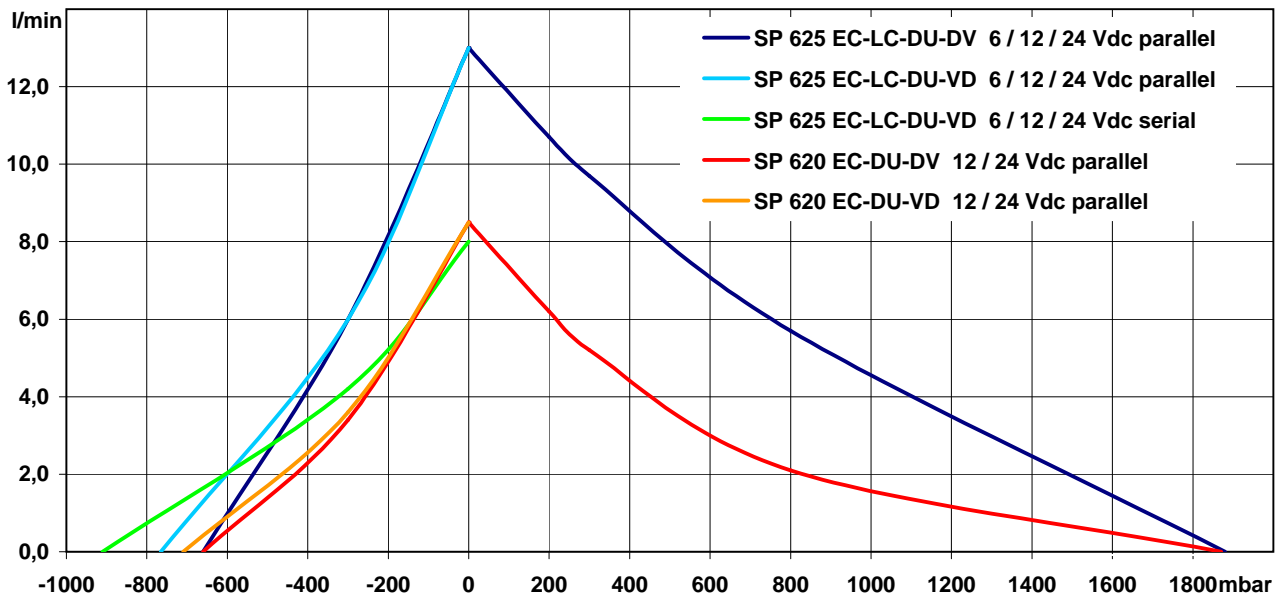
The pumps listed below represent a typical selection of our wide range of eccentric pumps and are intended for initial tests.

Customised versions for your individual application would be made without extra costs - please contact us!

Note: In order to achieve highest life time, we offer different diaphragm designs. Please inform us about your application.

Designation	SP 620 EC-DU-DV		SP 620 EC-DU-VD		SP 625 EC-LC-DU-DV			SP 625 EC-LC-DU-VD		
Operating Voltage	12 Vdc	24 Vdc	12 Vdc	24 Vdc	6 Vdc	12 Vdc	24 Vdc	6 Vdc	12 Vdc	24 Vdc
Art.No.	7s57082	7s57083	7s57131	7s57132	7s57077	7s57078	7s57079	7s57095	7s57096	7s57097
Pneumatic Performance										
Free Flow [l/min]	parallel 8,5		parallel 8,5		parallel 13,0			serial / parallel 8,0 / 13,0		
flow at: Pressure Side										
300 mbar [l/min]	5,2		-		9,7			-		
max. Pressure [mbar]	1870		-		1880			-		
flow at: Vacuum Side										
-300 mbar [l/min]	3,4		3,6		6,0			4,2 / 6,0		
max. Vacuum [mbar]	-660		-710		-660			-910 / -765		
Motor / Power Consumption										
Motor Type	standard	Long Life Double Ball Bearing				Low Cost Iron Core				
	optional	-				-				
max. Current [mA]	800	350	800	350	2000	1100	800	2000	1100	800
Construction										
Pump Head	standard	PPS								
	optional	customer specific - upon request								
Diaphragm, Valves	standard	EPDM								
	optional	FPM (Viton), FFPM (Kalrez), PTFE (Teflon)								
Tubing		PUR								
Weight [g]		230	230		250			250		

Performance Curves





Eccentric Diaphragm Pumps for Gas / Air

SP 620 / 622 / 625 / 628 EC-DU

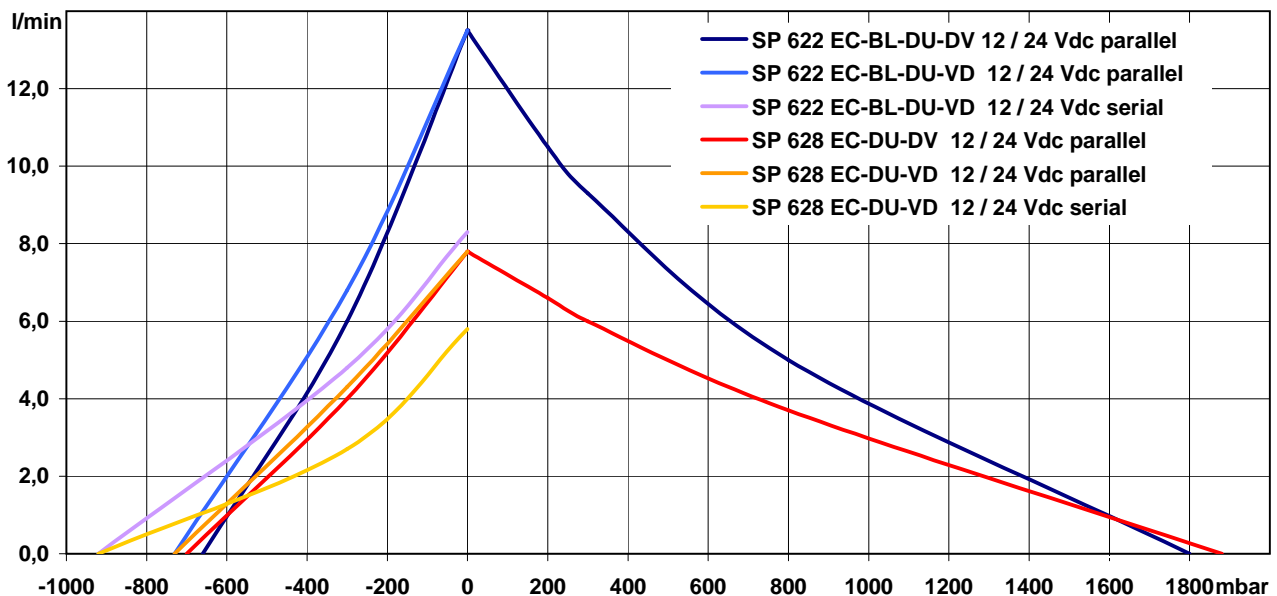
The pumps listed below represent a typical selection of our wide range of eccentric pumps and are intended for initial tests.

Customised versions for your individual application would be made without extra costs - please contact us!

Note: In order to achieve highest life time, we offer different diaphragm designs. Please inform us about your application.

Designation	SP 622 EC-BL-DU-DV		SP 622 EC-BL-DU-VD		SP 628 EC-DU-DV		SP 628 EC-DU-VD		
Operating Voltage	12 Vdc	24 Vdc	12 Vdc	24 Vdc	12 Vdc	24 Vdc	12 Vdc	24 Vdc	
Art.No.	7s57093	7s57094	7s57090	7s57091	7s57134	7s57135	7s57137	7s57138	
Pneumatic Performance									
Free Flow [l/min]	parallel 13,5		serial / parallel 8,3 / 13,5		parallel 7,8		serial / parallel 5,8 / 7,8		
flow at: Pressure Side									
300 mbar [l/min]	9,3		-		6,0		-		
max. Pressure [mbar]	1800		-		1880		-		
flow at: Vacuum Side									
-300 mbar [l/min]	6,0		4,8 / 6,8		4,0		2,7 / 4,3		
max. Vacuum [mbar]	-660		-920 / -730		-700		-920 / -730		
Motor / Power Consumption									
Motor Type	standard optional	brushless (analog, PWM signal)				Long Life Double Ball Bearing			
max. Current [mA]	1500 750	1500 750	780 340	780 340	780 340	780 340	780 340	780 340	
Construction									
Pump Head	standard optional	PPS customer specific - upon request							
Diaphragm, Valves	standard optional	EPDM FPM (Viton), FFPM (Kalrez), PTFE (Teflon)							
Tubing		PUR							
Weight [g]		203	203	320	320	320	320	320	

Performance Curves



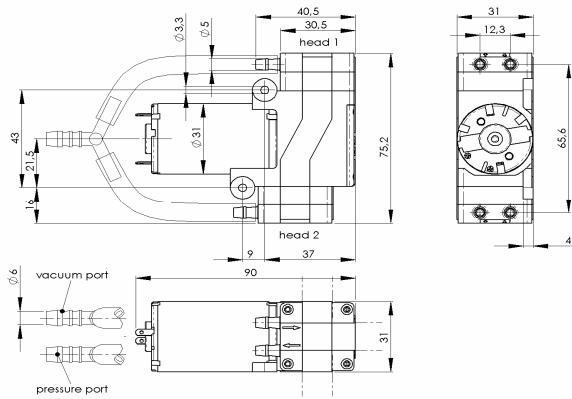
Steeler Strasse 477 • 45276 Essen • Germany
Phone: +49 201 31697-0 • Fax: +49 201 31697-29
e-mail: info@schwarzer.com • http://www.schwarzer.com



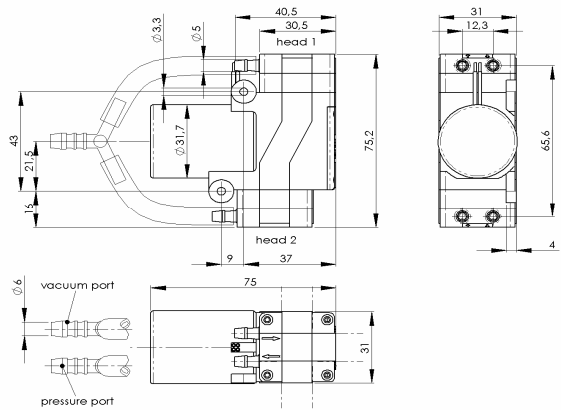
Eccentric Diaphragm Pumps for Gas / Air

SP 620 / 622 / 625 / 628 EC-DU

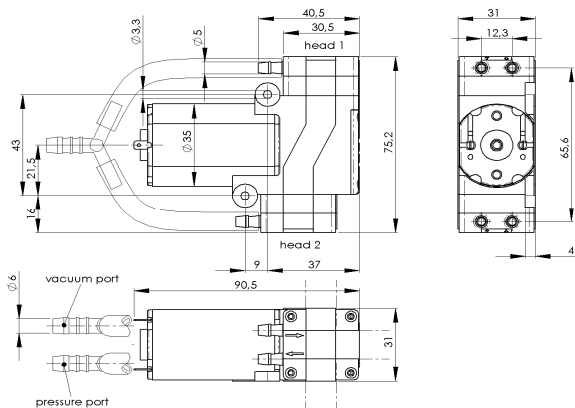
SP 620 EC-DU



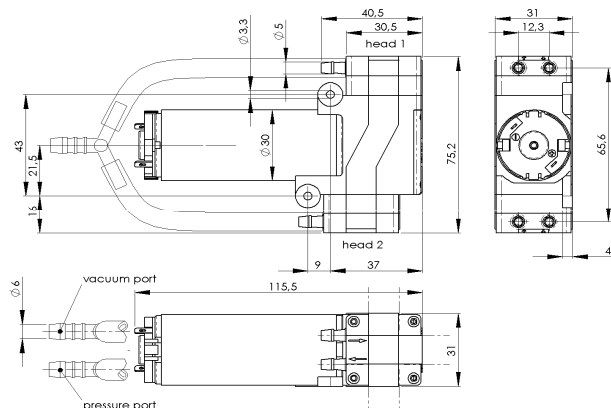
SP 622 EC-BL-DU



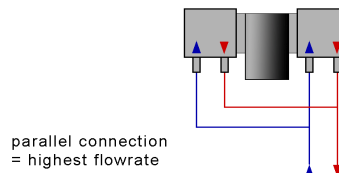
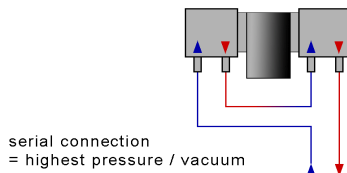
SP 625 EC-LC-DU



SP 628 EC-DU



Standard: connection ports as shown. Optional: 3 other port positions possible (see dashed lines)



Steeler Strasse 477 • 45276 Essen • Germany
Phone: +49 201 31697-0 • Fax: +49 201 31697-29
e-mail: info@schwarzer.com • <http://www.schwarzer.com>