



SP 620 EC-BL / 622 EC-BL / 625 EC-BL



SP 620 EC-BL



SP 622 EC-BL



SP 625 EC-BL

Product Features

- brushless motor
- very long lifetime (> 10.000 h)
- oil free
- maintenance free
- reduced vibrations
- low noise
- small size
- high flow
- lightweight
- minimal current consumption
- virtually leak tight

Applications

- Anaesthesia Equipment
- Stationary Gas Monitoring
- Exhaust Gas Analysers
- Medical Applications

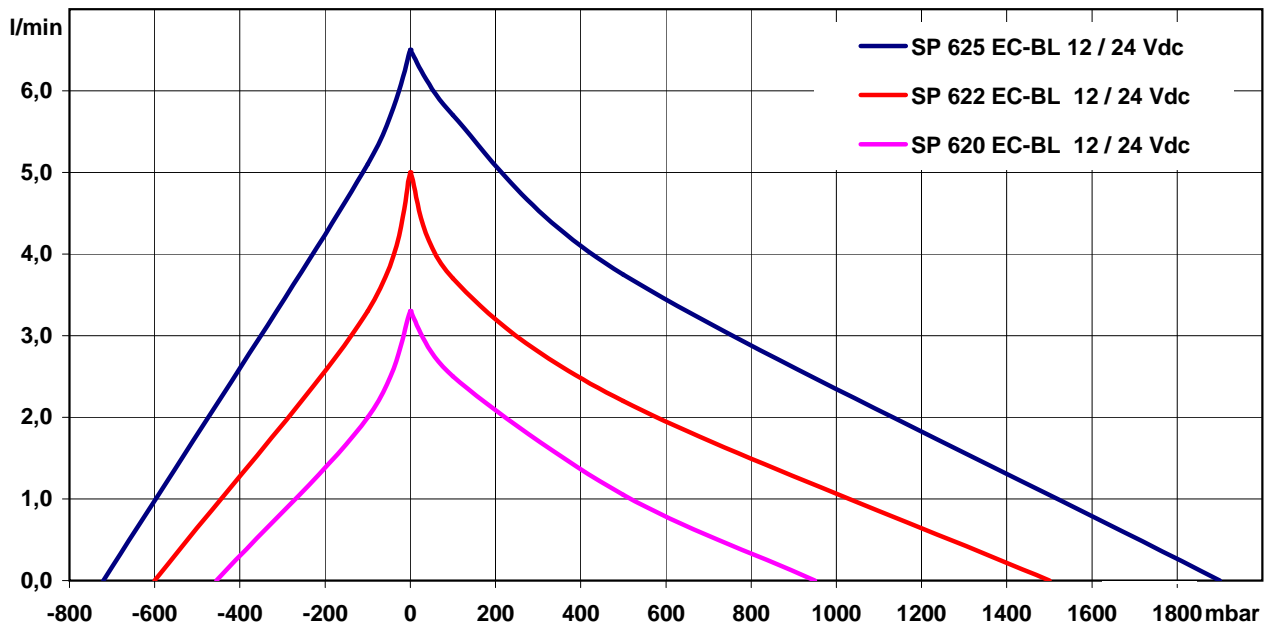


SP 620 EC-BL / 622 EC-BL / 625 EC-BL

The pumps listed below represent a typical selection of our wide range of eccentric pumps and are intended for initial tests. Customised versions for your individual application would be made without extra costs - please contact us!

Designation	SP 620 EC-BL		SP 622 EC-BL		SP 625 EC-BL	
Operating Voltage	12 Vdc	24 Vdc	12 Vdc	24 Vdc	12 Vdc	24 Vdc
Art.No.	7s57012	7s57011	7s57059	7s57060	7s57062	7s57061
Pneumatic Performance						
Free Flow [l/min]	3,3		5,0		6,5	
flow at:	Pressure Side					
100 mbar [l/min]	2,5		3,7		5,7	
max. Pressure [mbar]	950		1500		1900	
flow at:	Vacuum Side					
-100 mbar [l/min]	2,0		3,3		5,1	
max. Vacuum [mbar]	-455		-600		-720	
Motor / Power Consumption						
Motor Type	Long Life Brushless		Long Life Brushless		Long Life Brushless Double Ball Bearing	
max. Current [mA]	420	210	500	250	820	410
Construction						
Pump Head	standard optional		PPS customer specific - upon request			
Diaphragm, Valves	standard optional		EPDM FPM (Viton) / FFPM (Kalrez) / PTFE (Teflon)			
Weight [g]	260		170		205	

Performance Curves

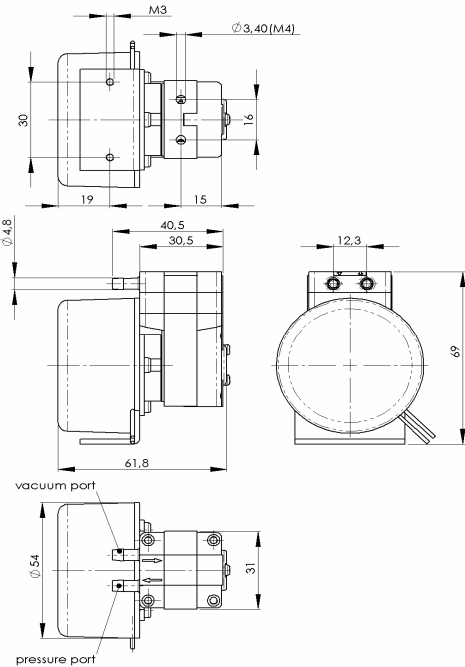


Steeler Strasse 477 • 45276 Essen • Germany
 Phone: +49 201 31697-0 • Fax: +49 201 31697-29
 e-mail: info@schwarzer.com • http://www.schwarzer.com

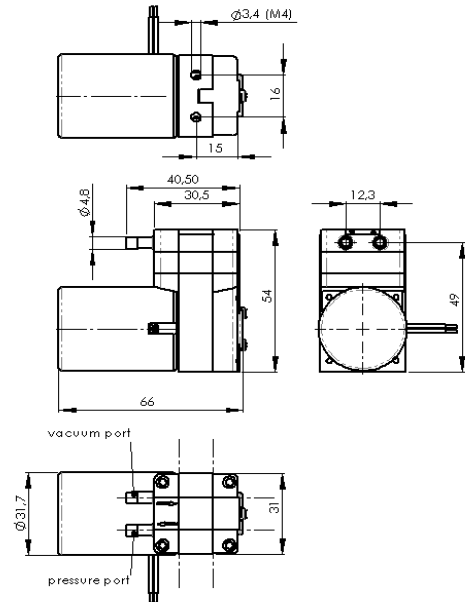


Eccentric Diaphragm Pumps for Gas / Air
SP 620 EC-BL / 622 EC-BL / 625 EC-BL

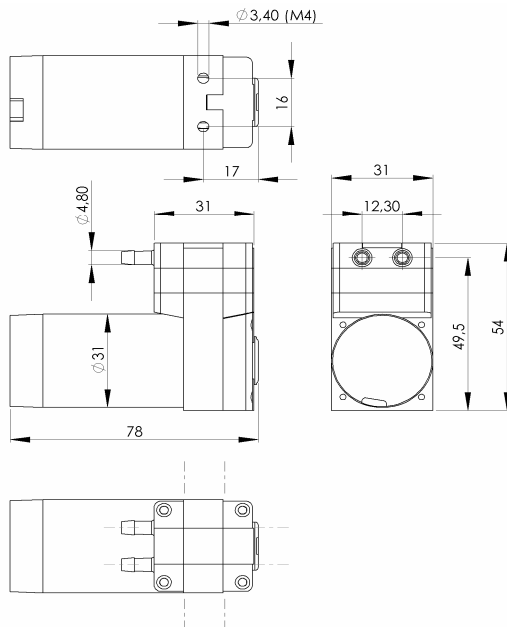
SP 620 EC-BL



SP 622 EC-BL



SP 625 EC-BL



Standard: connection ports as shown
Optional: 3 other port positions possible (see dashed lines)



Steeler Strasse 477 • 45276 Essen • Germany
Phone: +49 201 31697-0 • Fax: +49 201 31697-29
e-mail: info@schwarzer.com • <http://www.schwarzer.com>