



SP 680 EC
SP 685 EC



SP 680 EC-LC

Product Features

- oil free
- maintenance free
- reduced vibrations
- low noise
- small size
- lightweight
- minimal current consumption

Applications

- Air Brush
- Gas Detectors
- Pneumatics
- Industrial Applications

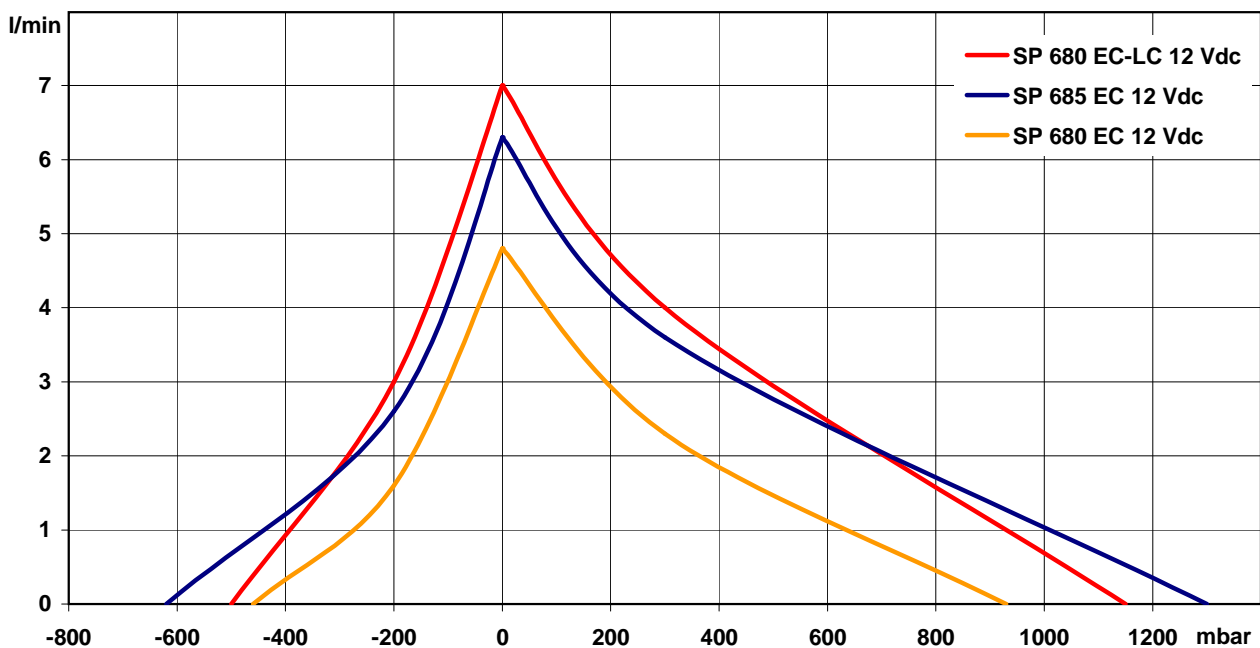


SP 680 EC / 685 EC

The pumps listed below represent a typical selection of our wide range of eccentric pumps and are intended for initial tests. Customised versions for your individual application would be made without extra costs - please contact us!

Designation	SP 680 EC-LC		SP 680 EC		SP 685 EC	
Operating Voltage	12 Vdc	24 Vdc	12 Vdc	24 Vdc	12 Vdc	24 Vdc
Art.No.	7s52083	7s52084	7s52076	7s52077	7s52081	7s52082
Pneumatic Performance						
Free Flow [l/min]	7,0	6,6	4,8	4,8	6,3	6,3
flow at: Pressure Side						
300 mbar [l/min]	4,0	3,6	2,3	2,3	3,6	3,6
max. Pressure [mbar]	1150	1200	930	930	1300	1300
flow at: Vacuum Side						
-200 mbar [l/min]	3,0	2,6	1,6	1,6	2,6	2,6
max. Vacuum [mbar]	-500	-600	-460	-460	-620	-620
Motor / Power Consumption						
Motor Type	standard optional	Low Cost Iron Core DC -	Iron Core DC motor with Electromagnetic Suppression brushless			
max. Current [mA]		1000 520	410	300	1060	530
Construction						
Pump Head	standard optional	PPS customer specific - upon request				
Diaphragm, Valves	standard optional	EPDM / Silicone FPM (Viton)				
Weight [g]		265	254		245	

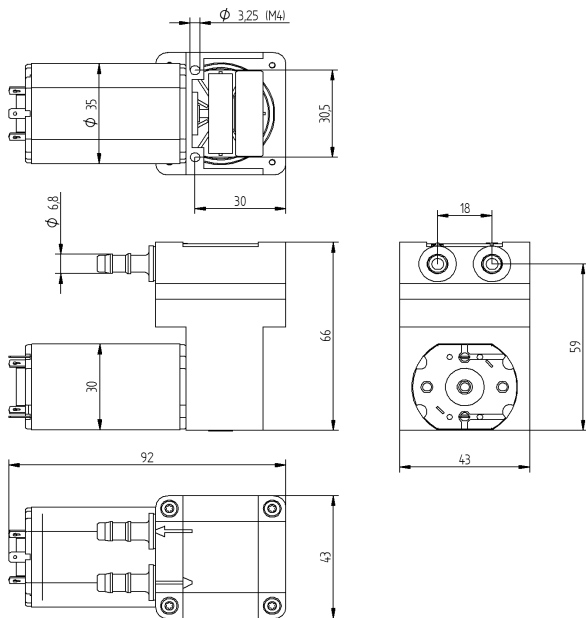
Performance Curves



Steeler Strasse 477 • 45276 Essen • Germany
 Phone: +49 201 31697-0 • Fax: +49 201 31697-29
 e-mail: info@schwarzer.com • http://www.schwarzer.com



SP 680 EC-LC



SP 680 EC / 685 EC

