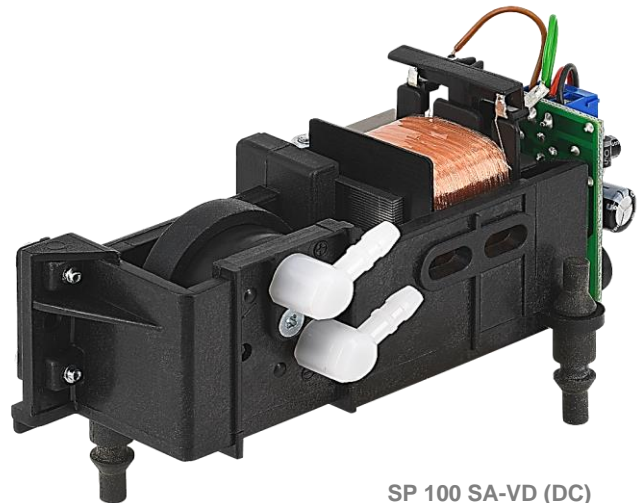




The pumps listed on this data sheet represent a cross-section of the large number of possibilities for each pump type. Based on our modular pump design, all pumps can be customised exactly to meet the needs of your application - within days and at standard pricing. Please contact us for details.



SP 100 SA-VD (AC)



SP 100 SA-VD (DC)

Product Features

- Very long life
- High efficiency
- Oil-free
- Maintenance-free

Typical Applications

- Gas analysis
- Pipetting
- Fluid level indication



TYPE	SP 100 SA-VD (AC)				SP 100 SA-VD (DC)	
Operating Voltage [Vac]	230	120	24	12	-	-
Operating Voltage [Vdc]	-	-	-	-	24	12
Frequency [Hz]	50	60	50	50	-	-
Art. No.	7s09046	7s09047	7s09048	7s09049	7s09069	7s09059
Power Consumption [W]	2,5	2,5	2,5	2,5	-	-
max. Nominal Current [mA]	-	-	-	-	110	210
PERFORMANCE						
max. Flow [l/min]	1,5	1,0	1,5	1,5	1,5	1,5
max. Pressure [bar]	0,23	0,20	0,28	0,28	0,28	0,28
max. Vacuum [mbar]	-200	-280	-280	-280	-280	-280
MOTOR						
Standard Motor	vibrating armature				2 wires	
Motor Connection	soldering lugs				n/a	
Optional Motor	n/a				n/a	
MATERIALS						
Standard Pump Head	PA6 & POM & PC-ABS					
Optional Pump Head	n/a					
Standard Diaphragm	EPDM					
Optional Diaphragm	n/a					
Standard Valves	CR					
Optional Valves	n/a					
Standard Gaskets	NR					
Optional Gaskets	n/a					
PNEUMATIC CONNECTION						
Standard Connectors	straight connectors					
Optional Connectors	n/a					
DIMENSIONS + WEIGHT						
Dimensions [mm] W x H x L	59 x 60 x 98				59 x 60 x 105	
Weight [g]	170				175	

Flow values are subject to the standard conditions specified in DIN 1343. The use of other materials may cause deviations in performance values.

The technical data shown on this data sheet represents the typical mean values achieved by the products in our standard testing procedure.

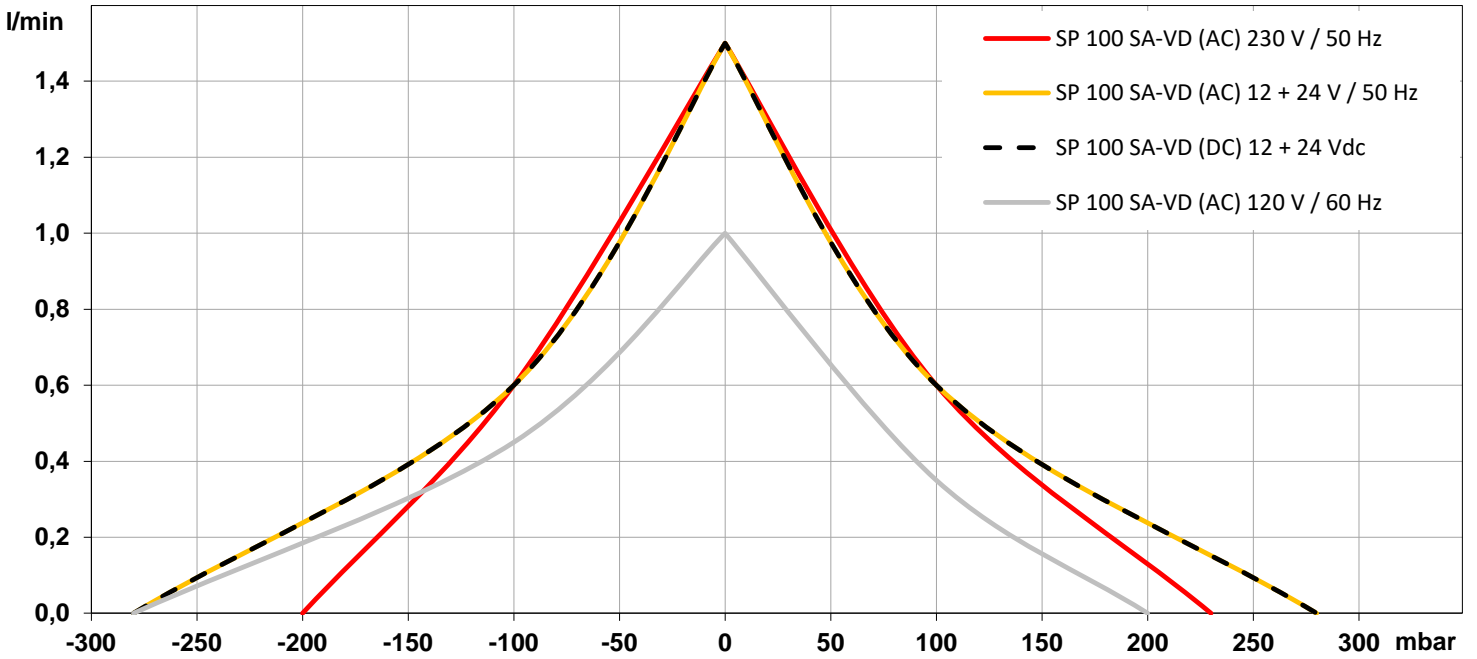
All data provided is for information only and does not represent production values.

Standard products are subject to change without notice.

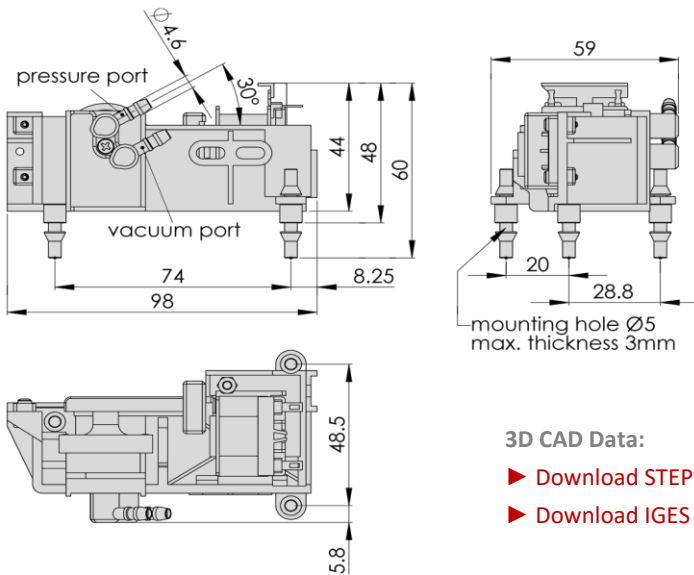
26.05.2021



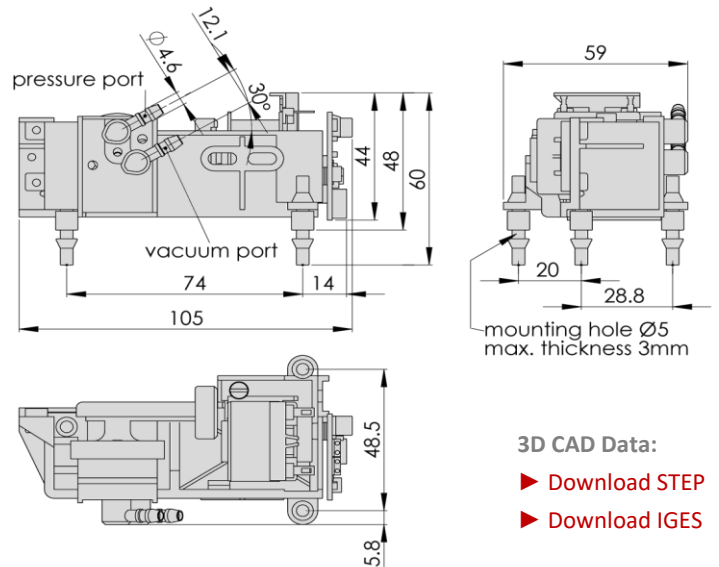
PERFORMANCE DIAGRAM | SP 100 SA-VD (AC) - SP 100 SA-VD (DC)



DRAWING | SP 100 SA-VD (AC)



DRAWING | SP 100 SA-VD (DC)



You can also download the 3D CAD files from the SP website:

www.schwarzer.com/download

All data provided is for information only and does not represent production values.

Standard products are subject to change without notice.

26.05.2021