



SP 203 SA Electrolyte Circulation

The pumps listed on this data sheet represent a cross-section of the large number of possibilities for each pump type. Based on our modular pump design, all pumps can be customised exactly to meet the needs of your application - within days and at standard pricing. Please contact us for details.



SP 203 SA-EUW - Single Pump



SP 203 SA-EUW - Twin Pump

Product Features

- Very long life
- High efficiency
- Oil-free
- Maintenance-free

Typical Applications

- Battery chargers
- Gas analysis
- Pipetting
- Fluid level indication



TYPE	SP 203 SA-EUW - Single Pump	SP 203 SA-EUW - Twin Pump
Operating Voltage [Vac]	230	230
Frequency [Hz]	50	50
Art. No.	7s20158	7s03020
Power Consumption [W]	6,5	13
PERFORMANCE		
max. Flow [l/min]	5,0	8,3
max. Pressure [bar]	0,28	0,28
max. Vacuum [mbar]	-	-
MOTOR		
Standard Motor	vibrating armature	
Motor Connection	2 wires	
Optional Motor	n/a	
MATERIALS		
Standard Pump Head	PA6 & ABS	
Optional Pump Head	n/a	
Standard Diaphragm	EPDM	
Optional Diaphragm	n/a	
Standard Valves	CR	
Optional Valves	n/a	
Standard Gaskets	EPDM-SBR	
Optional Gaskets	n/a	
PNEUMATIC CONNECTION		
Standard Connectors	barbed connector	
Optional Connectors	n/a	
DIMENSIONS + WEIGHT		
Dimensions [mm] W x H x L	80 x 56 x 240,3	80 x 93 x 240,3
Weight [g]	920	1320

Flow values are subject to the standard conditions specified in DIN 1343. The use of other materials may cause deviations in performance values.

The technical data shown on this data sheet represents the typical mean values achieved by the products in our standard testing procedure.

All data provided is for information only and does not represent production values.

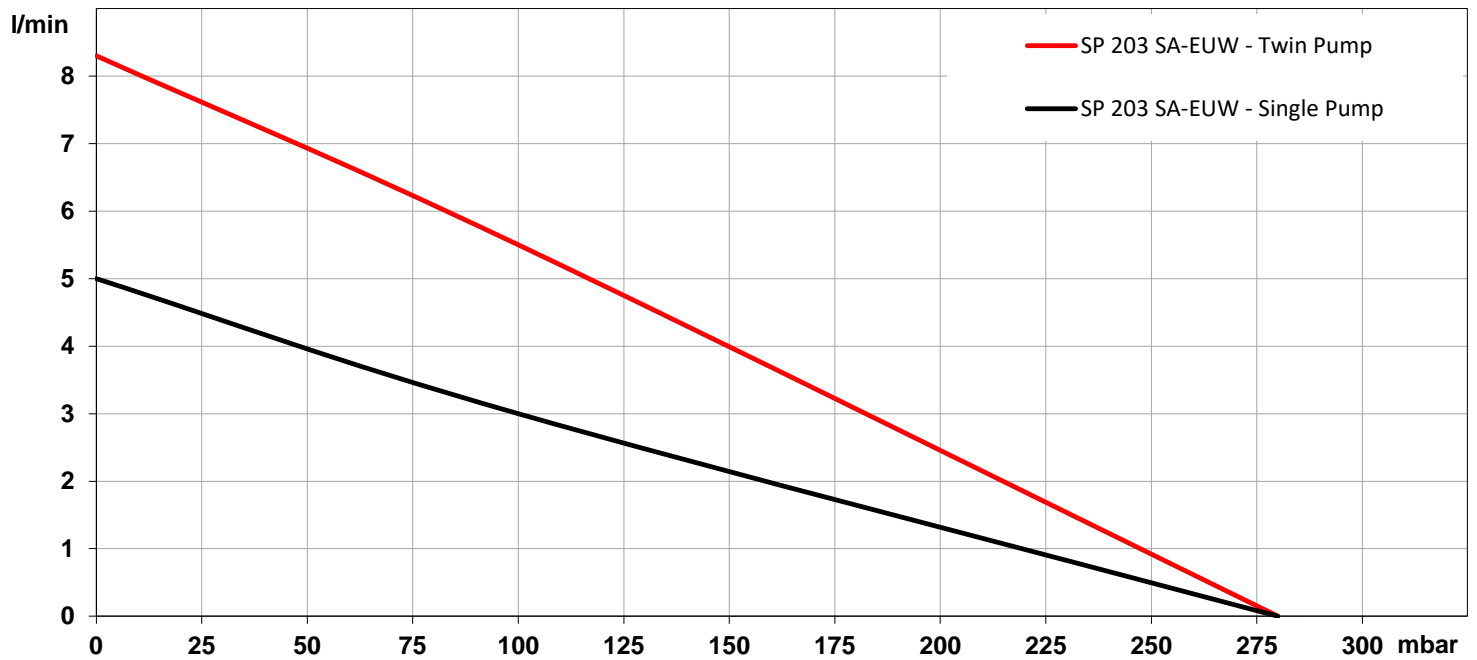
Standard products are subject to change without notice.

26.05.2021

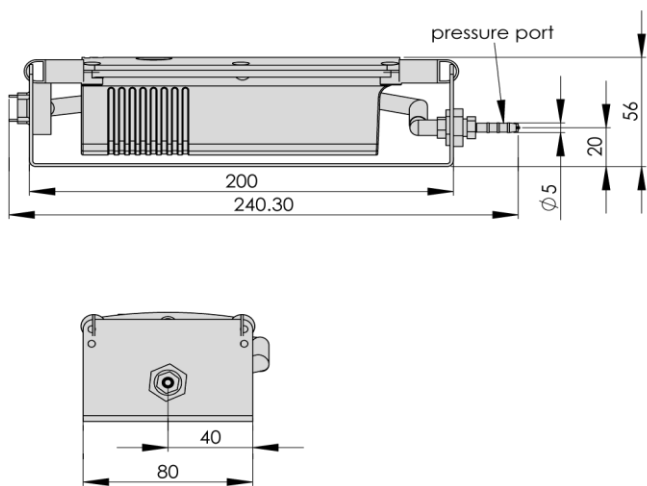


SP 203 SA Electrolyte Circulation

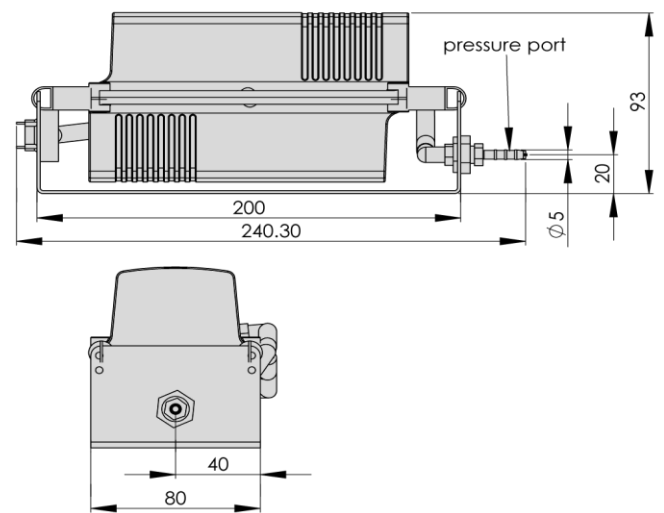
PERFORMANCE DIAGRAM | SP 203 SA-EUW



DRAWING | SP 203 SA-EUW - Single Pump



DRAWING | SP 203 SA-EUW - Twin Pump



All data provided is for information only and does not represent production values.
Standard products are subject to change without notice.

26.05.2021