



SP 240 EC Sound Optimised

The pumps listed on this data sheet represent a cross-section of the large number of possibilities for each pump type. Based on our modular pump design, all pumps can be customised exactly to meet the needs of your application - within days and at standard pricing. Please contact us for details.



Patented sound dampening:

< 35 dB(A) @ 50 cm distance (1,8 Vdc / -180 mbar)

Product Features

- Sound dampening by patented technology
- Low vibrations
- High efficiency for mobile devices
- Small size and low weight
- Durable design
- Suitable for any mounting orientation
- Oil-free, maintenance-free, leak-tight

Typical Applications

- Negative Pressure Wound Therapy
- Sleep apnea
- Respiratory gas analysis



TYPE	SP 240 EC-LC-SO
Operating Voltage [Vdc]	3
Art. No.	7s20302
max. Nominal Current [mA]	80
PERFORMANCE	
max. Flow [l/min]	0,225
max. Pressure [bar]	0,40
max. Vacuum [mbar]	-420
MOTOR	
Standard Motor	iron core
Standard Bearings	sintered bearings
Motor Connection	soldering lugs
Optional Motor	n/a
Optional Bearings	n/a
MATERIALS	
Standard Pump Head	PPS
Optional Pump Head	customer specific (upon request)
Standard Diaphragm	EPDM
Optional Diaphragm	FKM / customer specific (upon request)
Standard Valves	EPDM
Optional Valves	FKM / customer specific (upon request)
Standard Gaskets	EPDM
Optional Gaskets	FKM / customer specific (upon request)
PNEUMATIC CONNECTION	
Standard Connectors	barbed connectors
Optional Connectors	-
DIMENSIONS + WEIGHT	
Dimensions [mm] W x H x L	16 x 26 x 36,8
Weight [g]	24

Flow values are subject to the standard conditions specified in DIN 1343. The use of other materials may cause deviations in performance values.

The technical data shown on this data sheet represents the typical mean values achieved by the products in our standard testing procedure.

All data provided is for information only and does not represent production values.

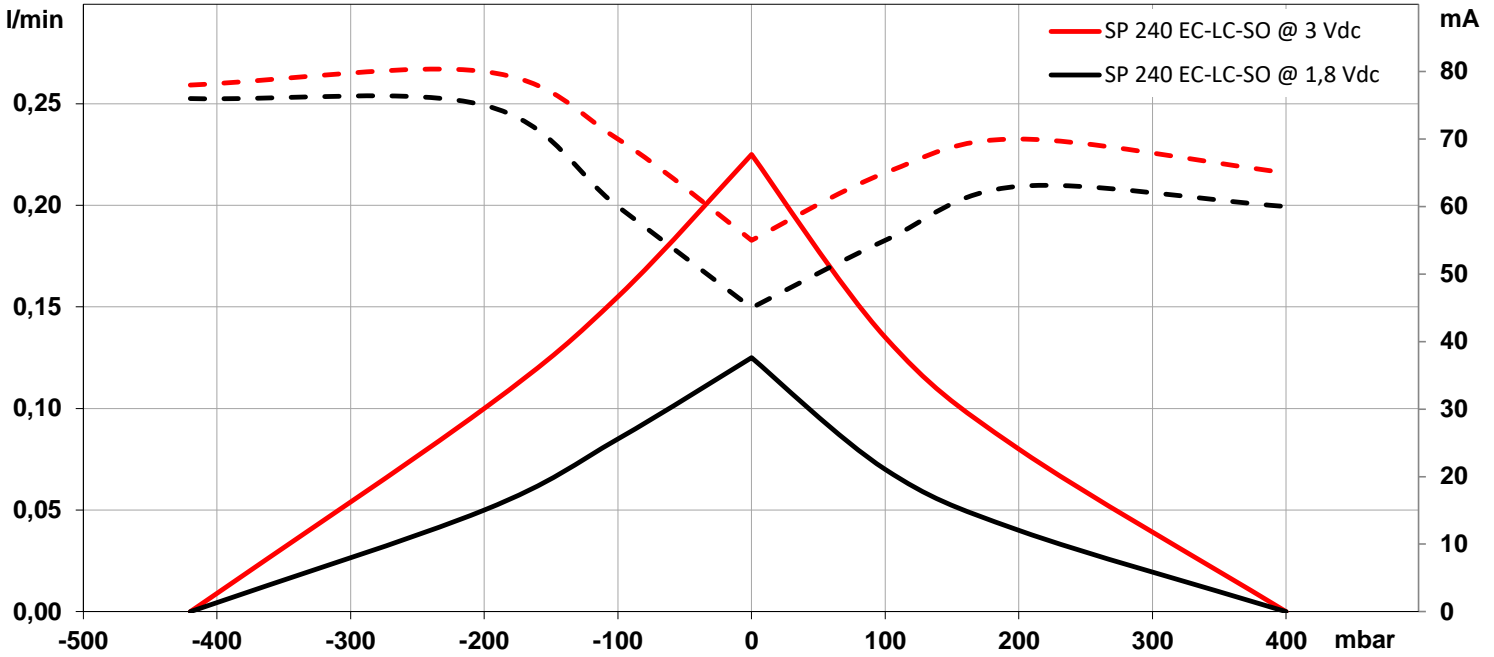
Standard products are subject to change without notice.

11.11.2022

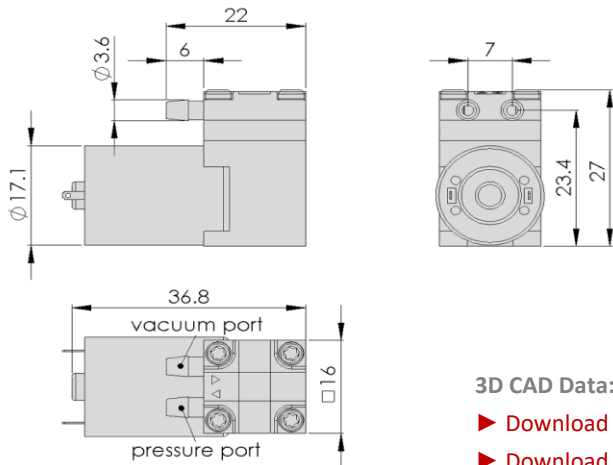


SP 240 EC Sound Optimised

PERFORMANCE DIAGRAM | SP 240 EC-LC-SO



DRAWING | SP 240 EC-LC-SO



Drawing shows standard orientation of pneumatic connectors.
(3 alternative orientations possible)

3D CAD Data:

- ▶ Download STEP
- ▶ Download IGES

You can also download the 3D CAD files from the SP website:
▶ www.schwarzer.com/download

All data provided is for information only and does not represent production values.
Standard products are subject to change without notice.

11.11.2022