



The pumps listed on this data sheet represent a cross-section of the large number of possibilities for each pump type. Based on our modular pump design, all pumps can be customised exactly to meet the needs of your application - within days and at standard pricing. Please contact us for details.



SP 300 SA-DV (AC)  
SP 300 SA-VD (AC)



SP 300 SA-DV (DC)  
SP 300 SA-VD (DC)

## Product Features

- Very long life
- High efficiency
- Oil-free
- Maintenance-free

## Typical Applications

- Gas analysis
- Pipetting
- Fluid level indication



TYPE	SP 300 SA-DV (AC)				SP 300 SA-DV (DC)	
	AC Version pressure optimised				DC Version pressure optimised	
Operating Voltage [Vac]	230	120	24	12	-	-
Operating Voltage [Vdc]	-	-	-	-	24	12
Frequency [Hz]	50	60	50	50	-	-
Art. No.	7s10000	7s10002	7s10004	7s10008	7s10012	7s10014
Power Consumption [W]	4	4	4	4	4	4
<b>PERFORMANCE</b>						
max. Flow [l/min]	4,0	3,0	4,0	4,0	4,0	4,0
max. Pressure [bar]	0,20	0,27	0,20	0,20	0,20	0,20
max. Vacuum [mbar]	-	-	-	-	-	-
<b>MOTOR</b>						
Standard Motor	vibrating armature					
Motor Connection	connecting terminal					
Optional Motor	n/a					
<b>MATERIALS</b>						
Standard Pump Head	PA6 & ABS					
Optional Pump Head	n/a					
Standard Diaphragm	EPDM					
Optional Diaphragm	n/a					
Standard Valves	CR					
Optional Valves	n/a					
Standard Gaskets	NBR					
Optional Gaskets	n/a					
<b>PNEUMATIC CONNECTION</b>						
Standard Connectors	barbed connectors					
Optional Connectors	n/a					
<b>DIMENSIONS + WEIGHT</b>						
Dimensions [mm] W x H x L	71 x 52,5 x 155				71 x 52,5 x 155	
Weight [g]	415				415	

Flow values are subject to the standard conditions specified in DIN 1343. The use of other materials may cause deviations in performance values.

The technical data shown on this data sheet represents the typical mean values achieved by the products in our standard testing procedure.

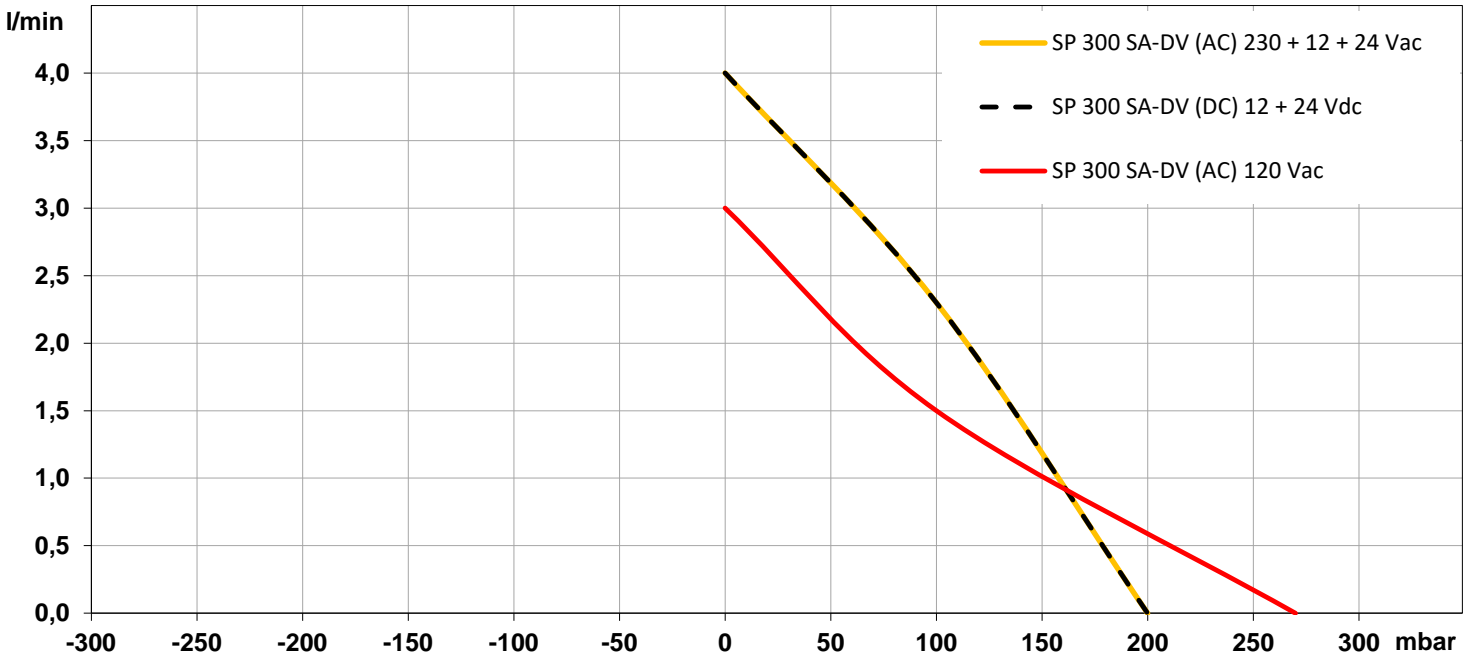
All data provided is for information only and does not represent production values.

Standard products are subject to change without notice.

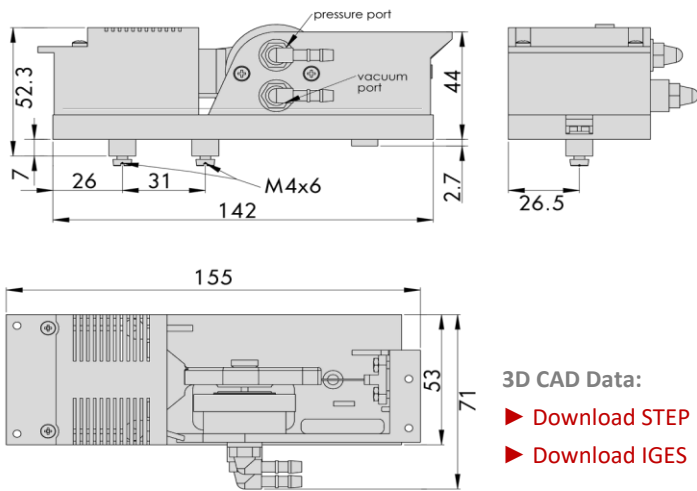
23.07.2021



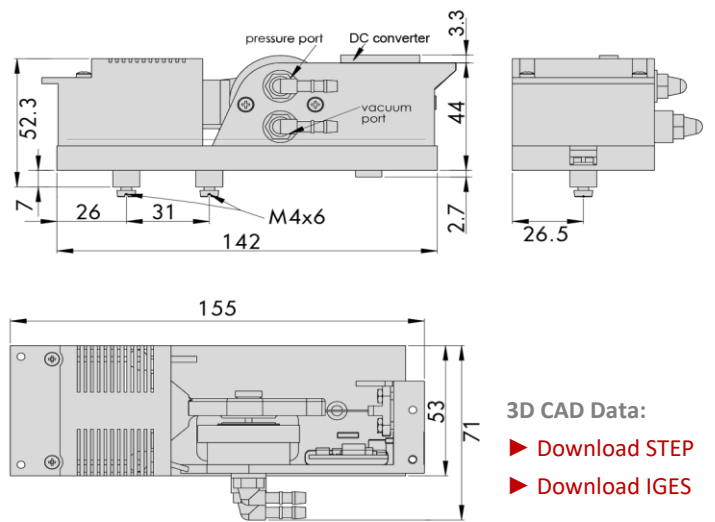
PERFORMANCE DIAGRAM | SP 300 SA-DV



DRAWING | SP 300 SA-DV (AC)



DRAWING | SP 300 SA-DV (DC)



You can also download the 3D CAD files from the SP website:

► [www.schwarzer.com/download](http://www.schwarzer.com/download)

All data provided is for information only and does not represent production values.

Standard products are subject to change without notice.

23.07.2021



TYPE	SP 300 SA-VD (AC)				SP 300 SA-VD (DC)	
	AC version vacuum optimised				DC version vacuum optimised	
Operating Voltage [Vac]	230	120	24	12	-	-
Operating Voltage [Vdc]	-	-	-	-	24	12
Frequency [Hz]	50	60	50	50	-	-
Art. No.	7s10001	7s10003	7s10005	7s10009	7s10013	7s10015
Power Consumption [W]	4	4	4	4	-	-
max. Nominal Current [mA]	-	-	-	-	170	340
<b>PERFORMANCE</b>						
max. Flow [l/min]	4,0	3,0	3,8	3,8	4,0	3,8
max. Pressure [bar]	-	-	-	-	-	-
max. Vacuum [mbar]	-200	-270	-200	-230	-230	-230
<b>MOTOR</b>						
Standard Motor	vibrating armature					
Motor Connection	connecting terminal					
Optional Motor	n/a					
<b>MATERIALS</b>						
Standard Pump Head	PA6 & ABS					
Optional Pump Head	n/a					
Standard Diaphragm	EPDM					
Optional Diaphragm	n/a					
Standard Valves	CR					
Optional Valves	n/a					
Standard Gaskets	NBR					
Optional Gaskets	n/a					
<b>PNEUMATIC CONNECTION</b>						
Standard Connectors	barbed connectors					
Optional Connectors	n/a					
<b>DIMENSIONS + WEIGHT</b>						
Dimensions [mm] W x H x L	71 x 52,5 x 155				71 x 52,5 x 155	
Weight [g]	415				415	

Flow values are subject to the standard conditions specified in DIN 1343. The use of other materials may cause deviations in performance values.

The technical data shown on this data sheet represents the typical mean values achieved by the products in our standard testing procedure.

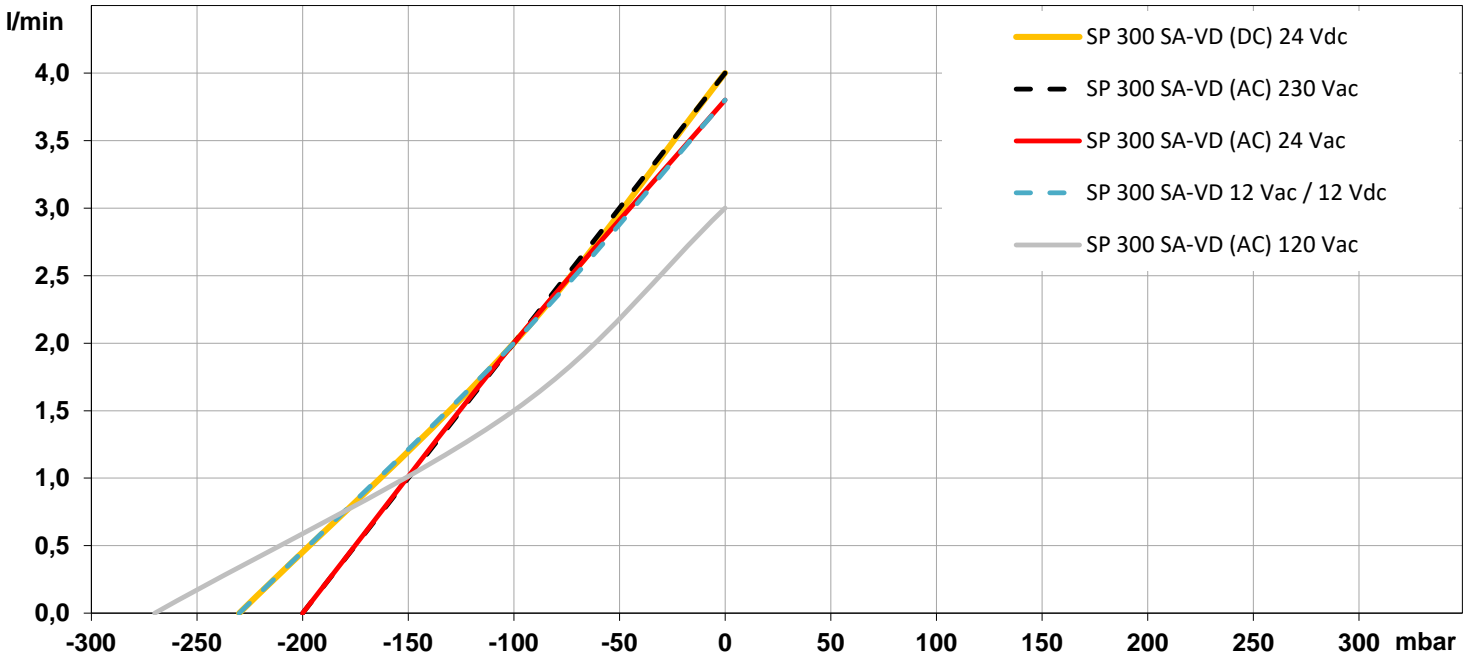
All data provided is for information only and does not represent production values.

Standard products are subject to change without notice.

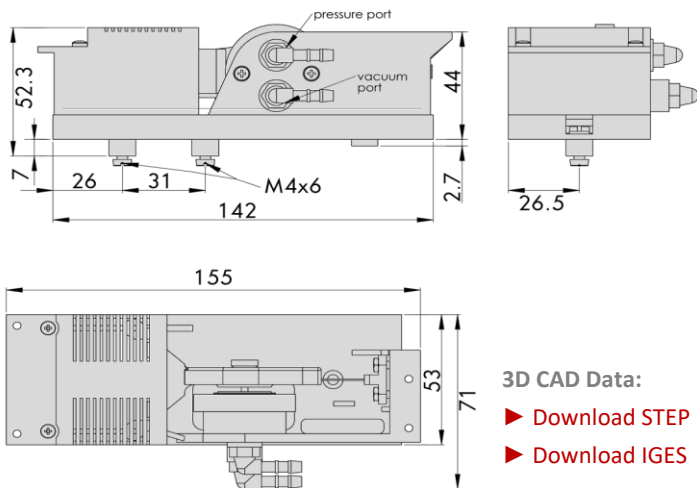
23.07.2021



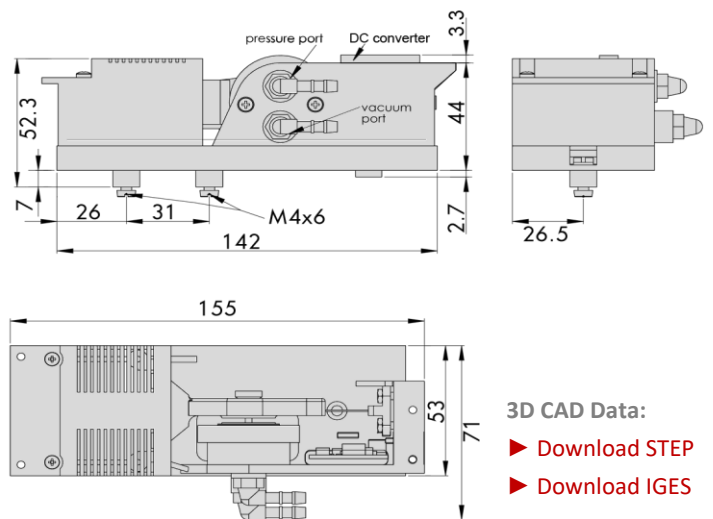
PERFORMANCE DIAGRAM | SP 300 SA-VD



DRAWING | SP 300 SA-VD (AC)



DRAWING | SP 300 SA-VD (DC)



You can also download the 3D CAD files from the SP website:

▶ [www.schwarzer.com/download](http://www.schwarzer.com/download)

All data provided is for information only and does not represent production values.

Standard products are subject to change without notice.

23.07.2021