



SP 500 EC ▪ SP 550 EC Liquid

The pumps listed on this data sheet represent a cross-section of the large number of possibilities for each pump type. Based on our modular pump design, all pumps can be customised exactly to meet the needs of your application - within days and at standard pricing. Please contact us for details.



SP 500 EC-LC-LP
iron core motor



SP 550 EC-LP
coreless motor

Product Features

- Chemical resistant versions available
- Smallest size and low weight
- Suitable for any mounting orientation
- Oil-free, maintenance-free
- Self-priming
- Low vibration and sound level

Typical Applications

- Fuel cells
- Cleaning and disinfection
- Inkjet printing



SP 500 EC - SP 550 EC Liquid

TYPE	SP 500 EC-LC-LP			SP 550 EC-LP	
Operating Voltage [Vdc]	4,5	6	12	6	12
Art. No.	7s51160	7s51161	7s51162	7s56050	7s56051
max. Nominal Current [mA]	250	240	100	200	100
PERFORMANCE					
max. Flow [ml/min]	200	200	200	200	200
max. Pressure [m H ₂ O]	10	10	10	10	10
max. Suction Height [m H ₂ O]	-6	-6	-6	-6	-6
max. Vacuum (dry) [mbar]	-250	-250	-250	-250	-250
MOTOR					
Standard Motor	iron core			coreless	
Standard Bearings	sintered bearings			sintered bearings	
Motor Connection	soldering lugs			2 wires	
Optional Motor	n/a			n/a	
Optional Bearings	n/a			ball bearings	
MATERIALS					
Standard Pump Head	PPS				
Optional Pump Head	customer specific (upon request)				
Standard Diaphragm	EPDM				
Optional Diaphragm	FKM / customer specific (upon request)				
Standard Valves	EPDM				
Optional Valves	FKM / customer specific (upon request)				
Standard Gaskets	EPDM				
Optional Gaskets	FKM / customer specific (upon request)				
HYDRAULIC CONNECTION					
Standard Connectors	barbed connectors				
Optional Connectors	manifold				
DIMENSIONS + WEIGHT					
Dimensions [mm] W x H x L	23 x 36,5 x 42			23 x 36,5 x 42,5	
Weight [g]	38,6			41	

Flow values are subject to the standard conditions specified in DIN 1343. The use of other materials may cause deviations in performance values.

The technical data shown on this data sheet represents the typical mean values achieved by the products in our standard testing procedure.

All data provided is for information only and does not represent production values.

Standard products are subject to change without notice.

12.06.2021

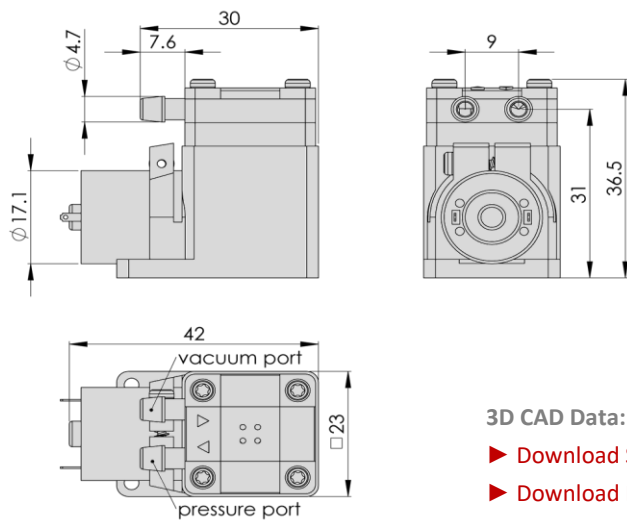


SP 500 EC ▪ SP 550 EC Liquid

PERFORMANCE DIAGRAM | SP 500 EC-LC-LP ▪ SP 550 EC-LP



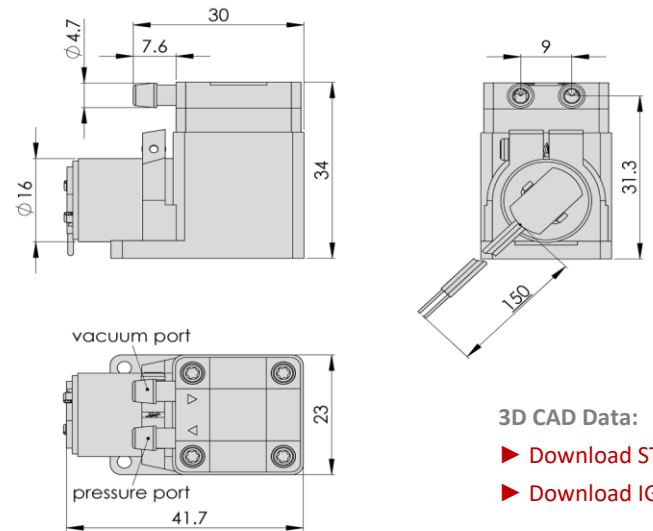
DRAWING | SP 500 EC-LC-LP



3D CAD Data:

- ▶ Download STEP
- ▶ Download IGES

DRAWING | SP 550 EC-LP



3D CAD Data:

- ▶ Download STEP
- ▶ Download IGES

Drawing shows standard orientation of pneumatic connectors (3 alternative orientations possible).

You can also download the 3D CAD files from the SP website:

▶ www.schwarzer.com/download

All data provided is for information only and does not represent production values.

Standard products are subject to change without notice.

12.06.2021