



SP 570 EC Liquid

The pumps listed on this data sheet represent a cross-section of the large number of possibilities for each pump type. Based on our modular pump design, all pumps can be customised exactly to meet the needs of your application - within days and at standard pricing. Please contact us for details.



SP 570 EC-L
coreless motor



SP 570 EC-LC-L
iron core motor



SP 570 EC-BL-L
brushless motor

Product Features


- Chemical resistant versions available
- Smallest size and low weight
- Suitable for any mounting orientation
- Oil-free, maintenance-free
- Self-priming
- Low vibration and sound level

Typical Applications

- Fuel cells
- Cleaning and disinfection
- Inkjet printing



SP 570 EC Liquid

TYPE		SP 570 EC-L	
Operating Voltage [Vdc]	12	 24h quick availability	24
Art. No.	7s58070		7s58071
max. Nominal Current [mA]	150		100
PERFORMANCE			
max. Flow [ml/min]	260		260
max. Pressure [m H ₂ O]	10		10
max. Suction Height [m H ₂ O]	-8		-8
max. Vacuum (dry) [mbar]	-300		-300
MOTOR			
Standard Motor	coreless		
Standard Bearings	ball bearings		
Motor Connection	2 wires		
Optional Motor	n/a		
Optional Bearings	n/a		
MATERIALS			
Standard Pump Head	PPS		
Optional Pump Head	customer specific (upon request)		
Standard Diaphragm	EPDM		
Optional Diaphragm	FKM / silicone / customer specific (upon request)		
Standard Valves	EPDM		
Optional Valves	FKM / silicone / customer specific (upon request)		
Standard Gaskets	EPDM		
Optional Gaskets	FKM / silicone / customer specific (upon request)		
HYDRAULIC CONNECTION			
Standard Connectors	barbed connectors		
Optional Connectors	n/a		
DIMENSIONS + WEIGHT			
Dimensions [mm] W x H x L	23 x 41 x 49,2		
Weight [g]	80		

Flow values are subject to the standard conditions specified in DIN 1343. The use of other materials may cause deviations in performance values.

The technical data shown on this data sheet represents the typical mean values achieved by the products in our standard testing procedure.

All data provided is for information only and does not represent production values.

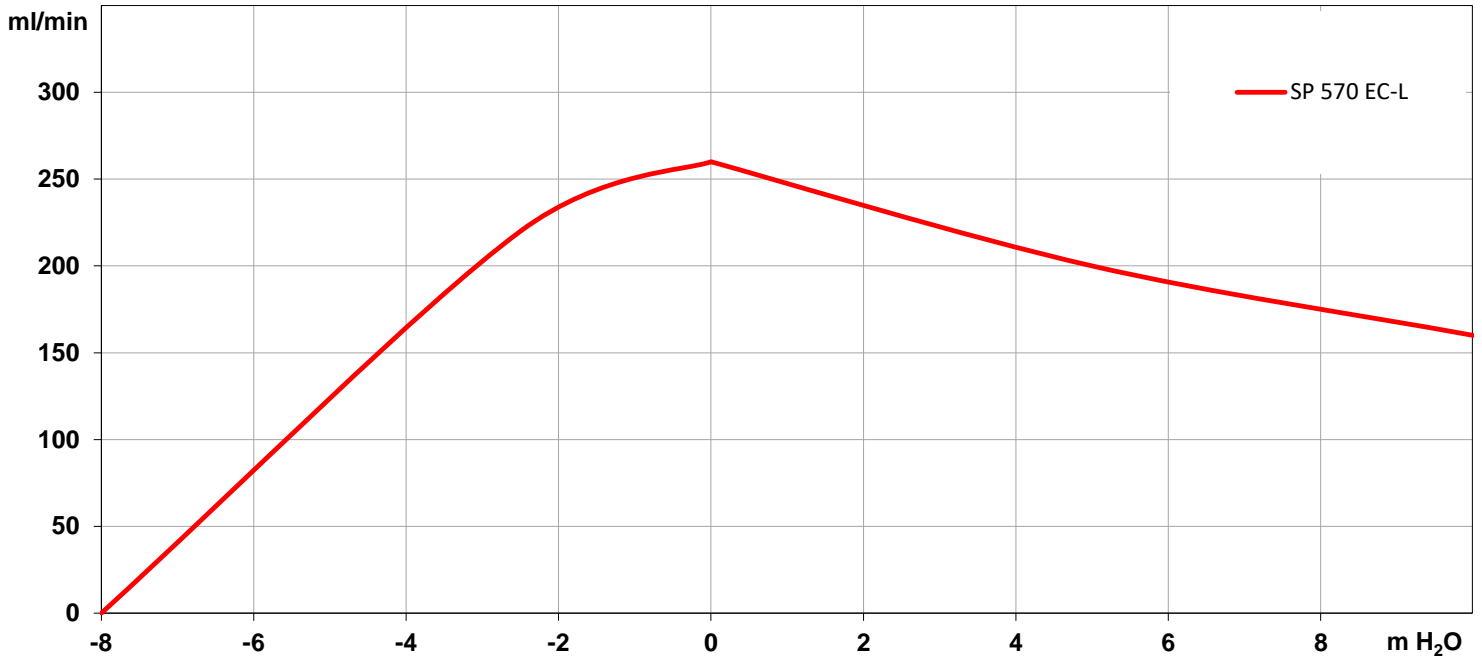
Standard products are subject to change without notice.

12.06.2021

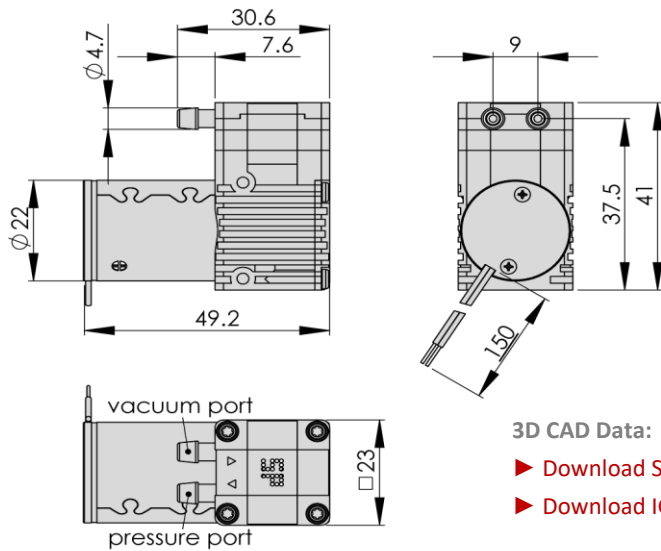


SP 570 EC Liquid

PERFORMANCE DIAGRAM | SP 570 EC-L



DRAWING | SP 570 EC-L



Drawing shows standard orientation of pneumatic connectors.
(3 alternative orientations possible)

3D CAD Data:

- ▶ [Download STEP](#)
- ▶ [Download IGES](#)


You can also download the 3D CAD files from the SP website:
▶ www.schwarzer.com/download

All data provided is for information only and does not represent production values.
Standard products are subject to change without notice.

12.06.2021



SP 570 EC Liquid

TYPE	SP 570 EC-LC-L		SP 570 EC-BL-L	
Operating Voltage [Vdc]	6	 quick availability 12	12	24
Art. No.	7s58060	7s58061	7s58090	7s58091
max. Nominal Current [mA]	550	300	350	200
PERFORMANCE				
max. Flow [ml/min]	300	300	300	300
max. Pressure [m H ₂ O]	10	10	10	10
max. Suction Height [m H ₂ O]	-8	-8	-8	-8
max. Vacuum (dry) [mbar]	-300	-300	-450	-450
MOTOR				
Standard Motor	iron core		brushless for analogue or PWM control	
Standard Bearings	sintered bearings		ball bearings	
Motor Connection	soldering lugs		4 wires	
Optional Motor	n/a		brushless without integrated electronics	
Optional Bearings	n/a		n/a	
MATERIALS				
Standard Pump Head	PPS			
Optional Pump Head	customer specific (upon request)			
Standard Diaphragm	EPDM			
Optional Diaphragm	FKM / silicone / customer specific (upon request)			
Standard Valves	EPDM			
Optional Valves	FKM / silicone / customer specific (upon request)			
Standard Gaskets	EPDM			
Optional Gaskets	FKM / silicone / customer specific (upon request)			
HYDRAULIC CONNECTION				
Standard Connectors	barbed connectors			
Optional Connectors	n/a			
DIMENSIONS + WEIGHT				
Dimensions [mm] W x H x L	23 x 41 x 51,5		23 x 41 x 49,1	
Weight [g]	55		60	

Flow values are subject to the standard conditions specified in DIN 1343. The use of other materials may cause deviations in performance values.

The technical data shown on this data sheet represents the typical mean values achieved by the products in our standard testing procedure.

All data provided is for information only and does not represent production values.

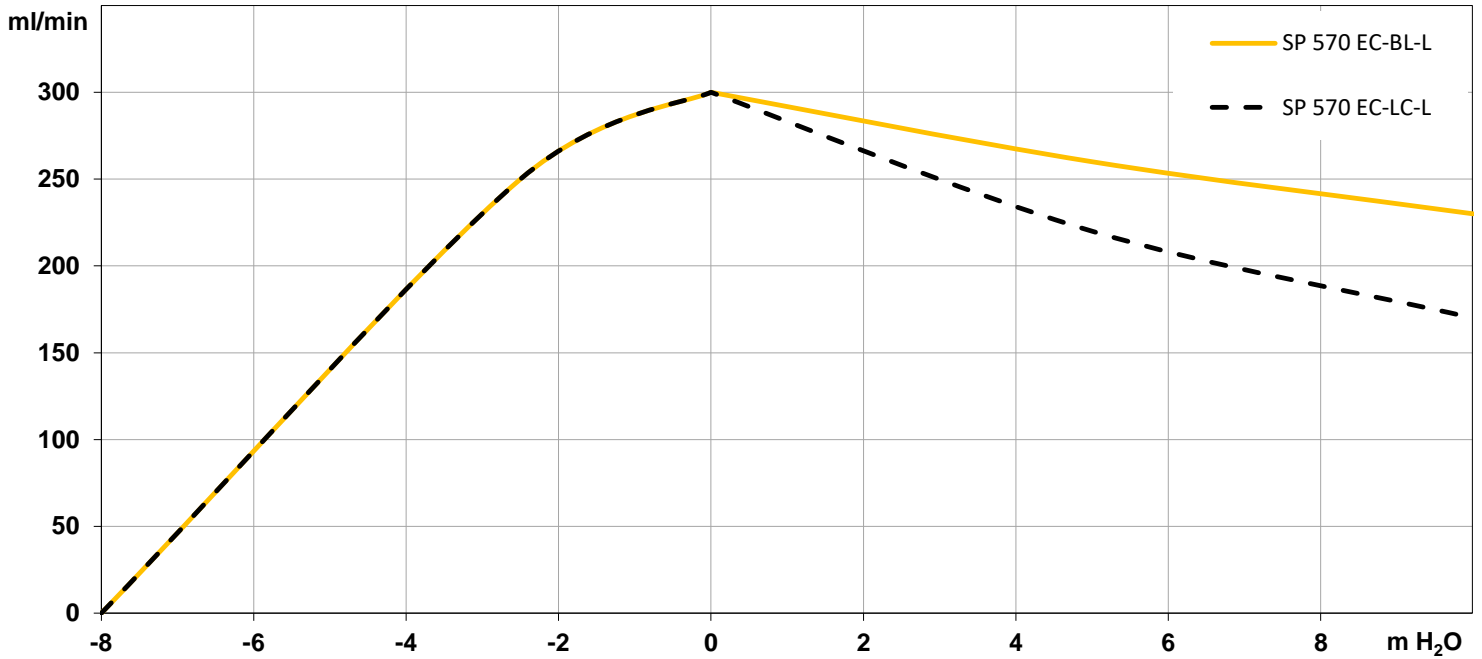
Standard products are subject to change without notice.

12.06.2021

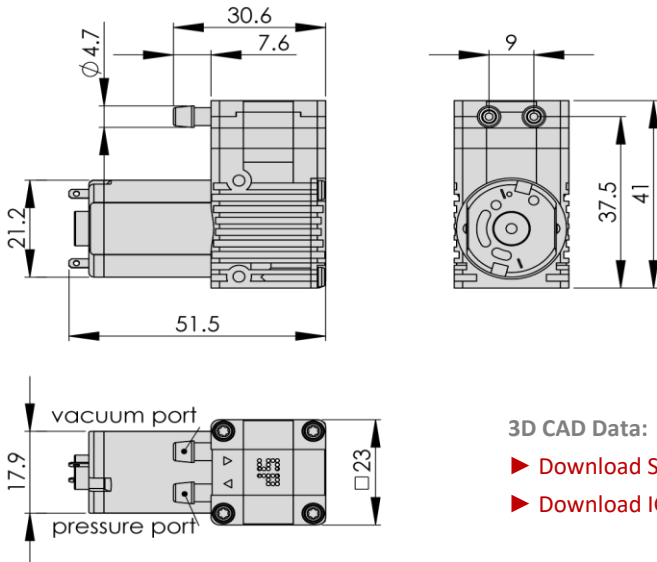


SP 570 EC Liquid

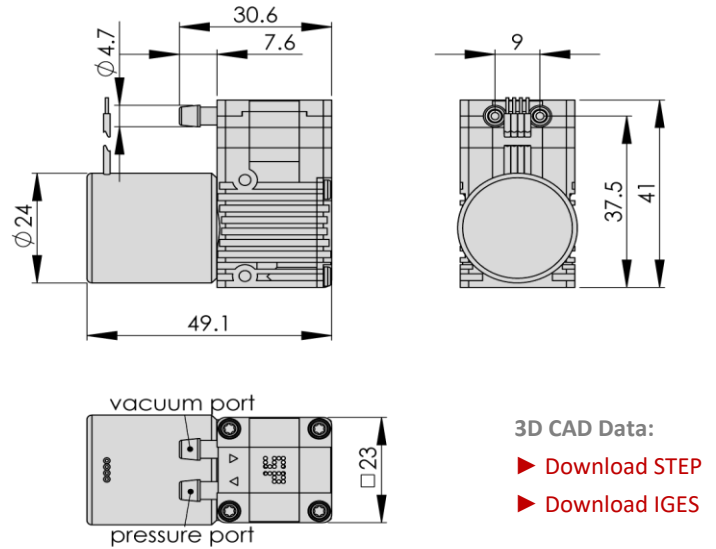
PERFORMANCE DIAGRAM | SP 570 EC-LC-L • SP 570 EC-BL-L



DRAWING | SP 570 EC-LC-L



DRAWING | SP 570 EC-BL-L



Drawing shows standard orientation of pneumatic connectors (3 alternative orientations possible).

You can also download the 3D CAD files from the SP website: ▶ www.schwarzer.com/download

All data provided is for information only and does not represent production values.

Standard products are subject to change without notice.

12.06.2021