



SP 620 EC - SP 622 EC Brushless Dual Head Liquid

The pumps listed on this data sheet represent a cross-section of the large number of possibilities for each pump type. Based on our modular pump design, all pumps can be customised exactly to meet the needs of your application - within days and at standard pricing. Please contact us for details.



SP 620 EC-BL-DUp-L



SP 622 EC-BL-DUp-L

Product Features

- Chemical resistant versions available
- Small size and low weight
- Suitable for any mounting orientation
- Oil-free, maintenance-free
- Self-priming
- Low vibration and sound level

Typical Applications

- Fuel cells
- Kidney dialysis
- Laboratory analysis
- Pipetting
- Cleaning and disinfection
- Inkjet printing



SP 620 EC - SP 622 EC Brushless Dual Head Liquid

TYPE	SP 620 EC-BL-DUp-L		SP 622 EC-BL-DUp-L	
Operating Voltage [Vdc]	12	24	12	24
Art. No.	7s57310	7s57311	7s57312	7s57313
max. Nominal Current [mA]	1000	600	1100	600
PERFORMANCE				
max. Flow [ml/min]	1000	1000	1050	1050
max. Pressure [m H ₂ O]	10	10	10	10
max. Suction Height [m H ₂ O]	-9	-9	-9	-9
max. Vacuum (dry) [mbar]	-600	-600	-600	-600
MOTOR				
Standard Motor	brushless for analogue control		brushless for analogue or PWM control	
Standard Bearings	ball bearings		ball bearings	
Motor Connection	2 wires		4 wires	
Optional Motor	brushless for analogue or PWM control / brushless without integrated electronics		brushless without integrated electronics	
Optional Bearings	n/a		n/a	
MATERIALS				
Standard Pump Head	PPS			
Optional Pump Head	customer specific (upon request)			
Standard Diaphragm	EPDM			
Optional Diaphragm	FKM / FFKM / PTFE			
Standard Valves	EPDM			
Optional Valves	FKM / FFKM / customer specific (upon request)			
Standard Gaskets	EPDM			
Optional Gaskets	FKM / FFKM / customer specific (upon request)			
HYDRAULIC CONNECTION				
Standard Connectors	barbed connectors			
Optional Connectors	n/a			
DIMENSIONS + WEIGHT				
Dimensions [mm] W x H x L	58,4 x 69,1 x 70		31,7 x 69,1 x 74,3	
Weight [g]	315		205	

Flow values are subject to the standard conditions specified in DIN 1343. The use of other materials may cause deviations in performance values.

The technical data shown on this data sheet represents the typical mean values achieved by the products in our standard testing procedure.

All data provided is for information only and does not represent production values.

Standard products are subject to change without notice.

26.05.2021

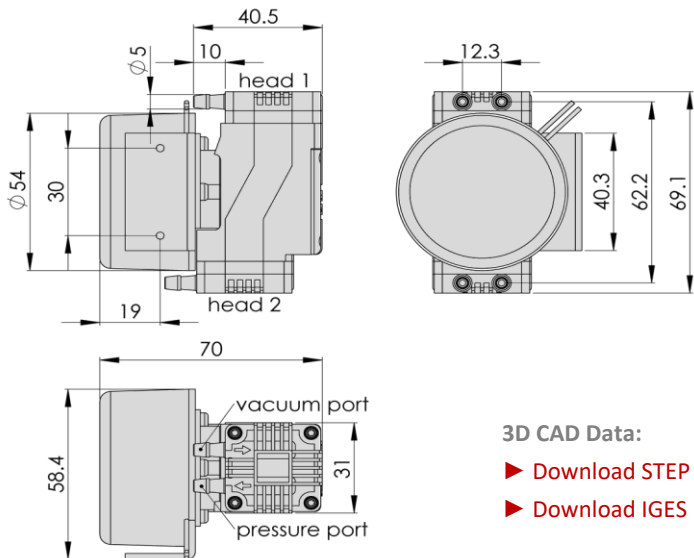


SP 620 EC - SP 622 EC Brushless Dual Head Liquid

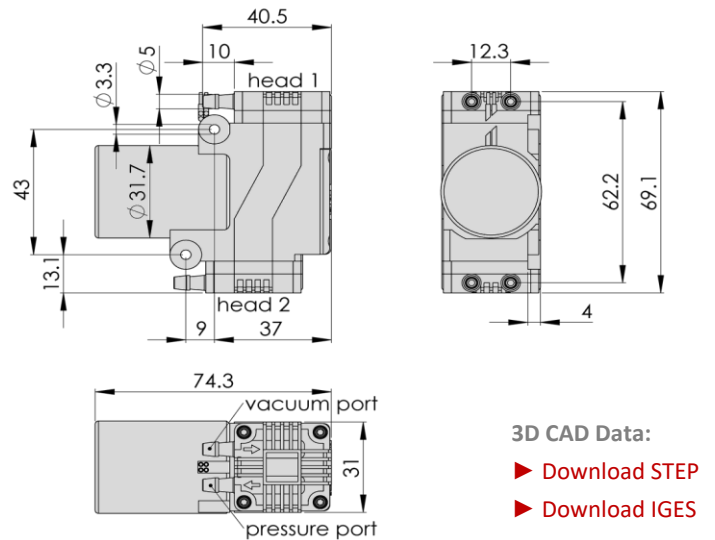
PERFORMANCE DIAGRAM | SP 620 EC-BL-DUp-L - SP 622 EC-BL-DUp-L



DRAWING | SP 620 EC-BL-DUp-L



DRAWING | SP 622 EC-BL-DUp-L



Drawing shows standard orientation of pneumatic connectors (3 alternative orientations possible).

You can also download the 3D CAD files from the SP website:

▶ www.schwarzer.com/download

All data provided is for information only and does not represent production values.

Standard products are subject to change without notice.

26.05.2021