



# SP 620 EC - SP 622 EC Brushless Dual Head

The pumps listed on this data sheet represent a cross-section of the large number of possibilities for each pump type. Based on our modular pump design, all pumps can be customised exactly to meet the needs of your application - within days and at standard pricing. Please contact us for details.



SP 620 EC-BL-DUp  
parallel tubing



SP 620 EC-BL-DUs  
serial tubing



SP 622 EC-BL-DUp  
parallel tubing



SP 622 EC-BL-DUs  
serial tubing

## Product Features

- High efficiency
- Extra durable brushless motors
- Small size and low weight
- Low vibration and sound level
- Very durable brushless drives
- Suitable for any mounting orientation
- Oil-free, maintenance-free, leak-tight

## Typical Applications

- Exhaust and flue gas analysis
- Auto samplers
- Blood pressure monitoring
- Chromatography
- Dental vacuum
- Gas analysis
- Anaesthesia monitoring



TYPE	SP 620 EC-BL-DUp-DV		SP 620 EC-BL-DUs-DV		SP 620 EC-BL-DUp-VD		SP 620 EC-BL-DUs-VD	
	parallel tubing pressure optimised		serial tubing pressure optimised		parallel tubing vacuum optimised		serial tubing vacuum optimised	
Operating Voltage [Vdc]	12	24	12	24	12	24	12	24
Art. No.	7s57261	7s57262	7s57215	7s57216	7s57265	7s57266	7s57263	7s57264
max. Nominal Current [mA]	850	550	850	550	850	550	850	550
<b>PERFORMANCE</b>								
max. Flow [l/min]	7,8	7,8	4,0	4,0	7,8	7,8	5,4	5,4
max. Pressure [bar]	1,8	1,8	3,0	3,0	-	-	-	-
max. Vacuum [mbar]	-650	-650	-	-	-720	-720	-920	-920
<b>MOTOR</b>								
Standard Motor	brushless for analogue control							
Standard Bearings	ball bearings							
Motor Connection	2 wires							
Optional Motor	brushless for analog or PWM control / brushless without integrated electronics							
Optional Bearings	n/a							
<b>MATERIALS</b>								
Standard Pump Head	PPS							
Optional Pump Head	customer specific (upon request)							
Standard Diaphragm	EPDM							
Optional Diaphragm	FKM / FFKM / PTFE							
Standard Valves	EPDM							
Optional Valves	FKM / FFKM / customer specific (upon request)							
Standard Gaskets	EPDM							
Optional Gaskets	FKM / FFKM / customer specific (upon request)							
<b>PNEUMATIC CONNECTION</b>								
Standard Connectors	barbed connectors							
Optional Connectors	n/a							
<b>DIMENSIONS + WEIGHT</b>								
Dimensions [mm] W x H x L	54 x 75,5 x 70							
Weight [g]	315							

Flow values are subject to the standard conditions specified in DIN 1343. The use of other materials may cause deviations in performance values.

The technical data shown on this data sheet represents the typical mean values achieved by the products in our standard testing procedure.

All data provided is for information only and does not represent production values.

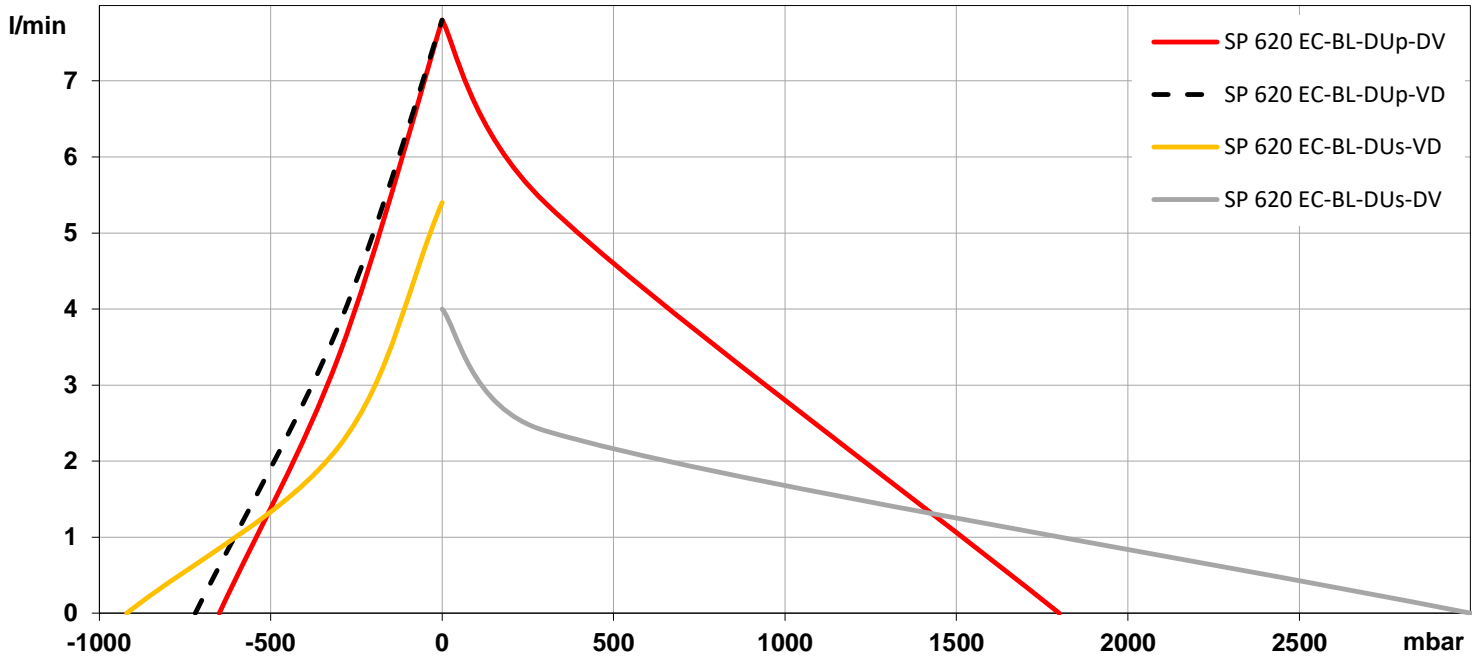
Standard products are subject to change without notice.

26.05.2021

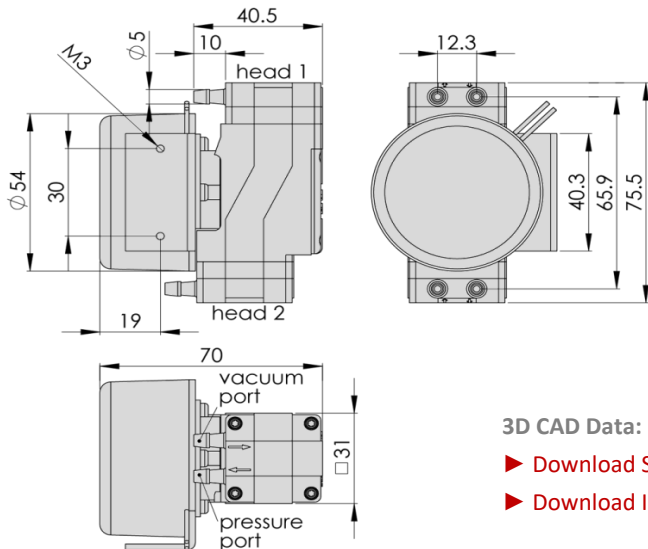


# SP 620 EC - SP 622 EC Brushless Dual Head

## PERFORMANCE DIAGRAM | SP 620 EC-BL-DU



## DRAWING | SP 620 EC-BL-DU



Drawing shows standard orientation of pneumatic connectors.  
(3 alternative orientations possible)

### 3D CAD Data:

- ▶ Download STEP
- ▶ Download IGES

You can also download the 3D CAD files from the SP website:  
▶ [www.schwarzer.com/download](http://www.schwarzer.com/download)

All data provided is for information only and does not represent production values.  
Standard products are subject to change without notice.

26.05.2021



TYPE	SP 622 EC-BL-DUp-DV		SP 622 EC-BL-DUs-DV		SP 622 EC-BL-DUp-VD		SP 622 EC-BL-DUs-VD	
	parallel tubing pressure optimised		serial tubing pressure optimised		parallel tubing vacuum optimised		serial tubing vacuum optimised	
Operating Voltage [Vdc]	12	24	12	24	12	24	12	24
Art. No.	7s57093	7s57094	7s57217	7s57218	7s57090	7s57091	7s57125	7s57126
max. Nominal Current [mA]	1650	870	1800	900	1650	870	1650	870
<b>PERFORMANCE</b>								
max. Flow [l/min]	13,0	13,0	5,8	5,8	12,0	12,0	8,0	8,0
max. Pressure [bar]	1,8	1,8	3,0	3,0	-	-	-	-
max. Vacuum [mbar]	-660	-660	-	-	-720	-720	-920	-920
<b>MOTOR</b>								
Standard Motor	brushless for analogue or PWM control							
Standard Bearings	ball bearings							
Motor Connection	4 wires							
Optional Motor Types	brushless without integrated electronics							
Optional Bearings	n/a							
<b>MATERIALS</b>								
Standard Pump Head	PPS							
Optional Pump Head	customer specific (upon request)							
Standard Diaphragm	EPDM							
Optional Diaphragm	FKM / FFKM / PTFE							
Standard Valves	EPDM							
Optional Valves	FKM / FFKM / customer specific (upon request)							
Standard Gaskets	EPDM							
Optional Gaskets	FKM / FFKM / customer specific (upon request)							
<b>PNEUMATIC CONNECTION</b>								
Standard Connectors	barbed connectors							
Optional Connectors	n/a							
<b>DIMENSIONS + WEIGHT</b>								
Dimensions [mm] W x H x L	31,7 x 75,5 x 74,3							
Weight [g]	203							

Flow values are subject to the standard conditions specified in DIN 1343. The use of other materials may cause deviations in performance values.

The technical data shown on this data sheet represents the typical mean values achieved by the products in our standard testing procedure.

All data provided is for information only and does not represent production values.

Standard products are subject to change without notice.

26.05.2021

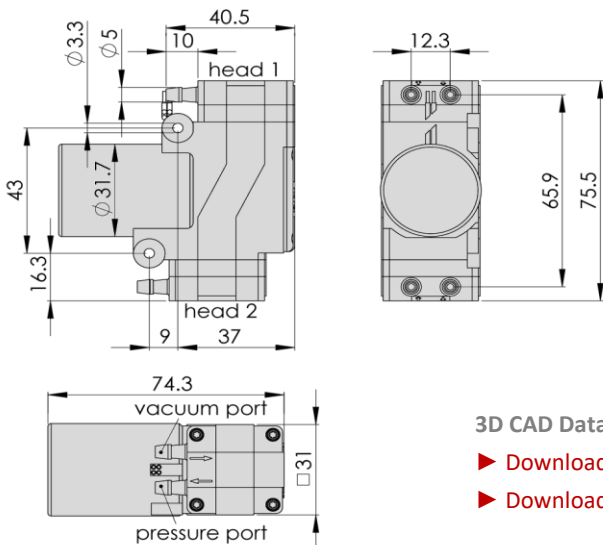


# SP 620 EC - SP 622 EC Brushless Dual Head

## PERFORMANCE DIAGRAM | SP 622 EC-BL-DU



## DRAWING | SP 622 EC-BL-DU



Drawing shows standard orientation of pneumatic connectors. (3 alternative orientations possible)

### 3D CAD Data:

- ▶ Download STEP
- ▶ Download IGES

You can also download the 3D CAD files from the SP website:  
 ▶ [www.schwarzer.com/download](http://www.schwarzer.com/download)

All data provided is for information only and does not represent production values.  
 Standard products are subject to change without notice.

26.05.2021