



# SP 620 EC - SP 628 EC Dual Head

The pumps listed on this data sheet represent a cross-section of the large number of possibilities for each pump type. Based on our modular pump design, all pumps can be customised exactly to meet the needs of your application - within days and at standard pricing. Please contact us for details.



SP 620 EC-DUp  
parallel tubing



SP 620 EC-DUs  
serial tubing



SP 628 EC-DUp  
parallel tubing



SP 628 EC-DUs  
serial tubing


## Product Features

- Vacuum or pressure optimised design
- High efficiency and durable design
- Small size and low weight
- Low vibration and sound level
- Suitable for any mounting orientation
- Oil-free, maintenance-free, leak-tight

## Typical Applications

- Exhaust and flue gas analysis
- Auto samplers
- Blood pressure monitoring
- Chromatography
- Dental vacuum
- Gas analysis
- Anaesthesia monitoring



TYPE	SP 620 EC-DUp-DV		SP 620 EC-DUs-DV	
	parallel tubing pressure optimised		serial tubing pressure optimised	
		 24h quick availability		
Operating Voltage [Vdc]	12	24	12	24
Art. No.	7s57082	7s57083	7s57213	7s57214
max. Nominal Current [mA]	900	490	980	510
<b>PERFORMANCE</b>				
max. Flow [l/min]	8,5	6,5	4,0	3,5
max. Pressure [bar]	1,8	1,8	2,9	2,9
max. Vacuum [mbar]	-640	-640	-	-
<b>MOTOR</b>				
Standard Motor	iron core			
Standard Bearings	ball bearings			
Motor Connection	2 wires	soldering lugs / flat connectors	2 wires	soldering lugs / flat connectors
Optional Motor	n/a			
Optional Bearings	n/a			
<b>MATERIALS</b>				
Standard Pump Head	PPS			
Optional Pump Head	customer specific (upon request)			
Standard Diaphragm	EPDM			
Optional Diaphragm	FKM / FFKM / PTFE			
Standard Valves	EPDM			
Optional Valves	FKM / FFKM / customer specific (upon request)			
Standard Gaskets	EPDM			
Optional Gaskets	FKM / FFKM / customer specific (upon request)			
<b>PNEUMATIC CONNECTION</b>				
Standard Connectors	barbed connectors			
Optional Connectors	n/a			
<b>DIMENSIONS + WEIGHT</b>				
Dimensions [mm] W x H x L	31 x 75,5 x 90			
Weight [g]	230			

Flow values are subject to the standard conditions specified in DIN 1343. The use of other materials may cause deviations in performance values.

The technical data shown on this data sheet represents the typical mean values achieved by the products in our standard testing procedure.

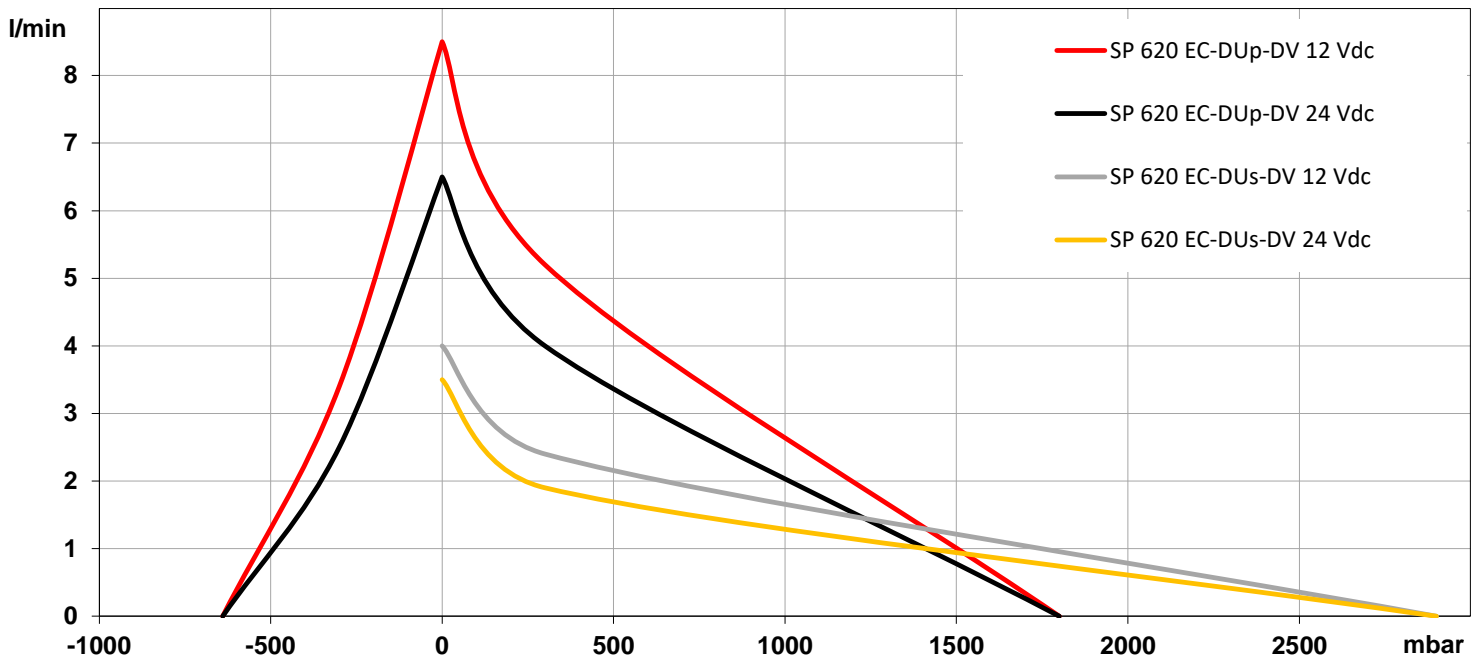
All data provided is for information only and does not represent production values.

Standard products are subject to change without notice.

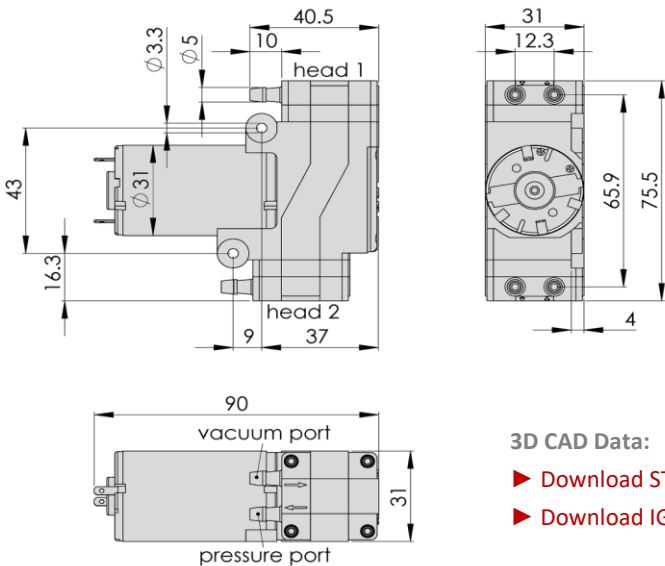


# SP 620 EC - SP 628 EC Dual Head

## PERFORMANCE DIAGRAM | SP 620 EC-DUp-DV - SP 620 EC-DUs-DV



## DRAWING | SP 620 EC-DUp-DV - SP 620 EC-DUs-DV



Drawing shows standard orientation of pneumatic connectors.  
(3 alternative orientations possible)

### 3D CAD Data:

- ▶ Download STEP
- ▶ Download IGES

You can also download the 3D CAD files from the SP website:  
▶ [www.schwarzer.com/download](http://www.schwarzer.com/download)

All data provided is for information only and does not represent production values.  
Standard products are subject to change without notice.

26.05.2021



TYPE	SP 620 EC-DUp-VD		SP 620 EC-DUs-VD	
	parallel tubing vacuum optimised		serial tubing vacuum optimised	
Operating Voltage [Vdc]	12	24	12	24
Art. No.	7s57131	7s57132	7s57211	7s57212
max. Nominal Current [mA]	900	490	900	490
<b>PERFORMANCE</b>				
max. Flow [l/min]	8,5	6,5	6,0	4,8
max. Pressure [bar]	-	-	-	-
max. Vacuum [mbar]	-700	-700	-900	-900
<b>MOTOR</b>				
Standard Motor	iron core			
Standard Bearings	ball bearings			
Motor Connection	2 wires	soldering lugs / flat connectors	2 wires	soldering lugs / flat connectors
Optional Motor	n/a			
Optional Bearings	n/a			
<b>MATERIALS</b>				
Standard Pump Head	PPS			
Optional Pump Head	customer specific (upon request)			
Standard Diaphragm	EPDM			
Optional Diaphragm	FKM / FFKM / PTFE			
Standard Valves	EPDM			
Optional Valves	FKM / FFKM / customer specific (upon request)			
Standard Gaskets	EPDM			
Optional Gaskets	FKM / FFKM / customer specific (upon request)			
<b>PNEUMATIC CONNECTION</b>				
Standard Connectors	barbed connectors			
Optional Connectors	n/a			
<b>DIMENSIONS + WEIGHT</b>				
Dimensions [mm] W x H x L	31 x 75,5 x 90			
Weight [g]	230			

Flow values are subject to the standard conditions specified in DIN 1343. The use of other materials may cause deviations in performance values.

The technical data shown on this data sheet represents the typical mean values achieved by the products in our standard testing procedure.

All data provided is for information only and does not represent production values.

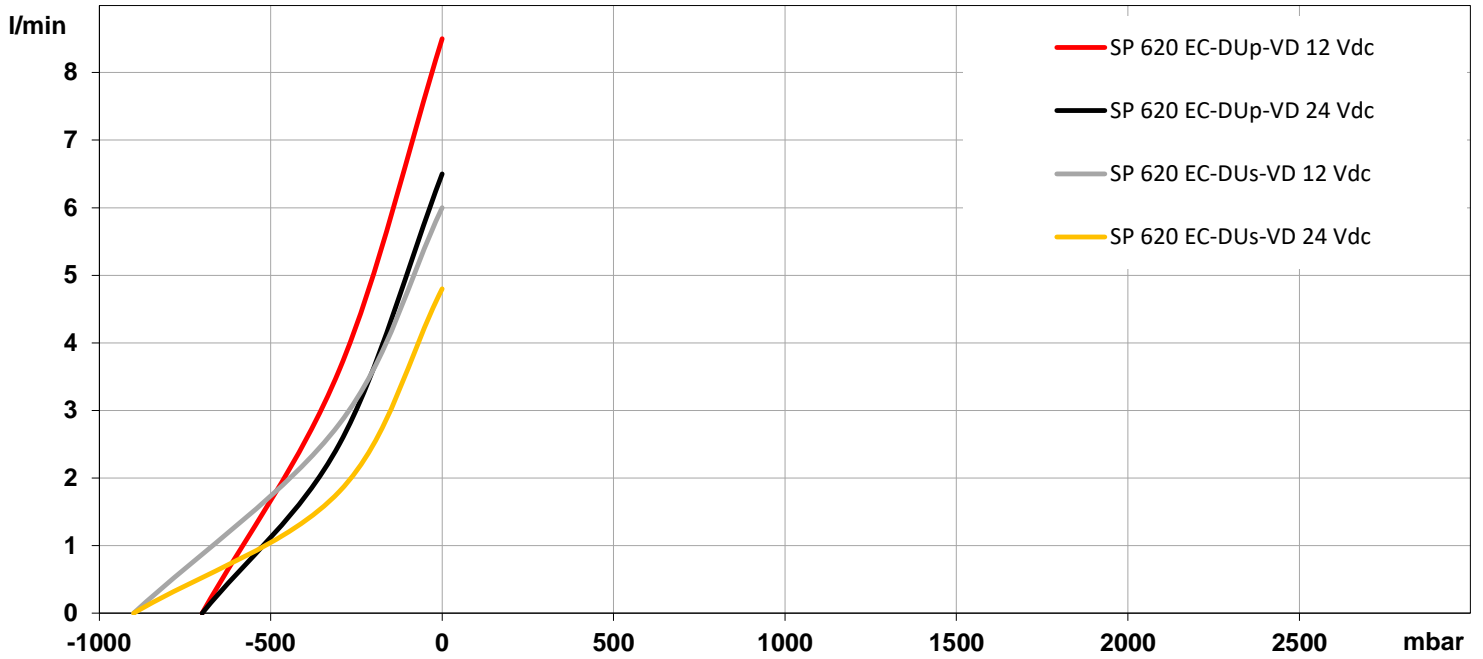
Standard products are subject to change without notice.

26.05.2021

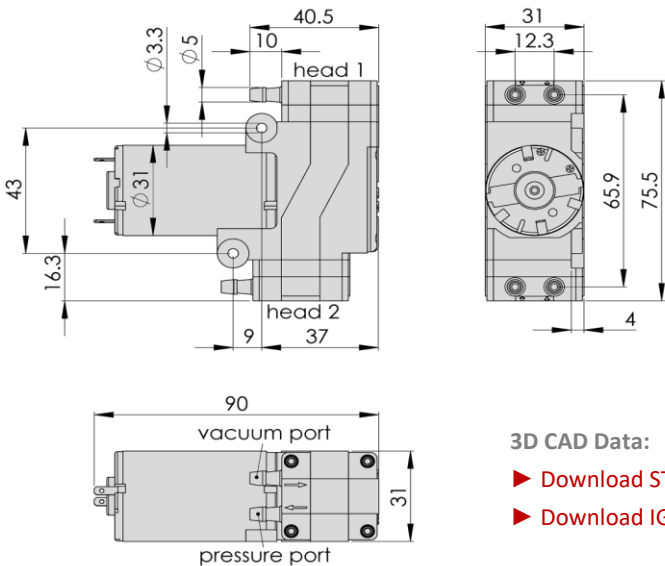


# SP 620 EC - SP 628 EC Dual Head

## PERFORMANCE DIAGRAM | SP 620 EC-DUp-VD - SP 620 EC-DUs-VD



## DRAWING | SP 620 EC-DUp-VD - SP 620 EC-DUs-VD



Drawing shows standard orientation of pneumatic connectors.  
(3 alternative orientations possible)

### 3D CAD Data:

- ▶ Download STEP
- ▶ Download IGES

You can also download the 3D CAD files from the SP website:  
▶ [www.schwarzer.com/download](http://www.schwarzer.com/download)

All data provided is for information only and does not represent production values.  
Standard products are subject to change without notice.

26.05.2021



TYPE	SP 628 EC-DUp-DV		SP 628 EC-DUs-DV		SP 628 EC-DUp-VD		SP 628 EC-DUs-VD	
	parallel tubing pressure optimised		serial tubing pressure optimised		parallel tubing vacuum optimised		serial tubing vacuum optimised	
Operating Voltage [Vdc]	12	24	12	24	12	24	12	24
Art. No.	7s57134	7s57135	7s57234	7s57235	7s57137	7s57138	7s57145	7s57146
max. Nominal Current [mA]	800	440	800	450	800	440	800	450
<b>PERFORMANCE</b>								
max. Flow [l/min]	8,5	8,5	4,2	4,2	8,5	8,5	6,0	6,0
max. Pressure [bar]	1,8	1,8	3,0	3,0	-	-	-	-
max. Vacuum [mbar]	-650	-650	-	-	-720	-720	-910	-910
<b>MOTOR</b>								
Standard Motor	iron core							
Standard Bearings	ball bearings							
Motor Connection	soldering lugs / flat connectors							
Optional Motor Types	n/a							
Optional Bearings	n/a							
<b>MATERIALS</b>								
Standard Pump Head	PPS							
Optional Pump Head	customer specific (upon request)							
Standard Diaphragm	EPDM							
Optional Diaphragm	FKM / FFKM / PTFE							
Standard Valves	EPDM							
Optional Valves	FKM / FFKM / customer specific (upon request)							
Standard Gaskets	EPDM							
Optional Gaskets	FKM / FFKM / customer specific (upon request)							
<b>PNEUMATIC CONNECTION</b>								
Standard Connectors	barbed connectors							
Optional Connectors	n/a							
<b>DIMENSIONS + WEIGHT</b>								
Dimensions [mm] W x H x L	31 x 75,5 x 114							
Weight [g]	320							

Flow values are subject to the standard conditions specified in DIN 1343. The use of other materials may cause deviations in performance values. The technical data shown on this data sheet represents the typical mean values achieved by the products in our standard testing procedure. All data provided is for information only and does not represent production values.

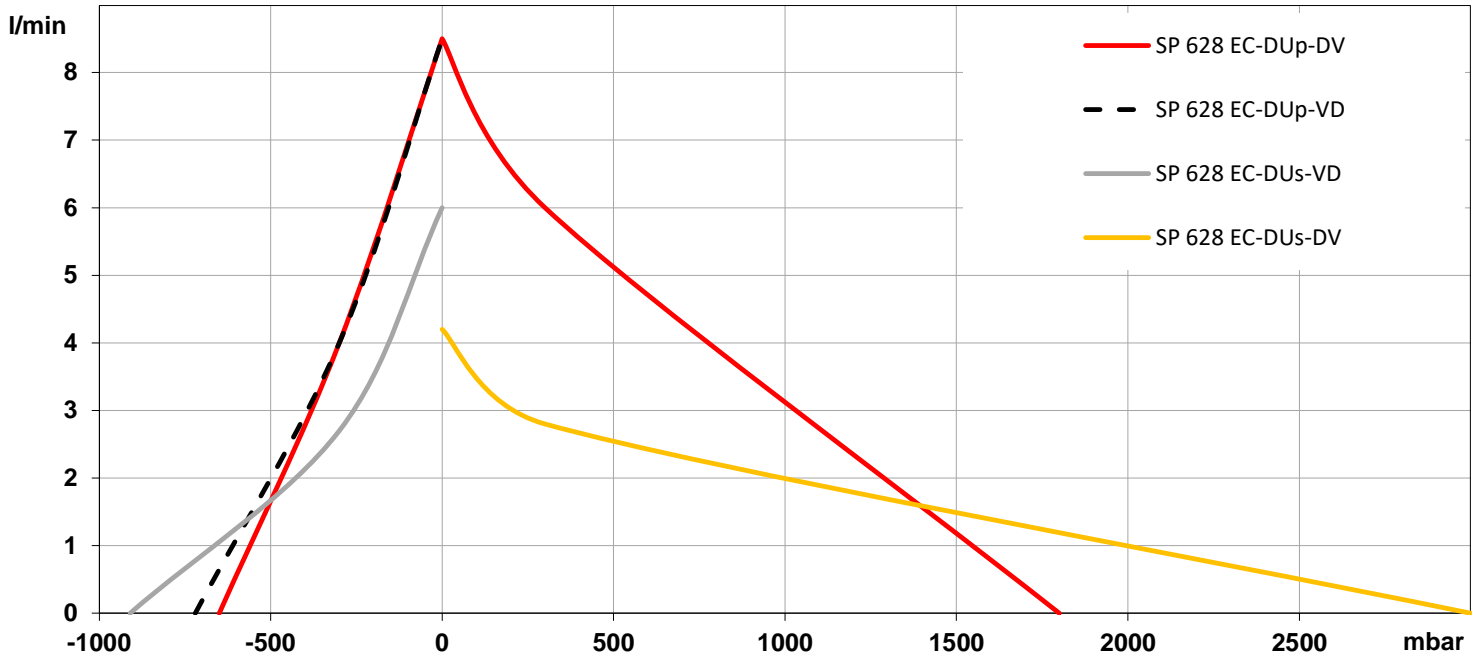
Standard products are subject to change without notice.

26.05.2021

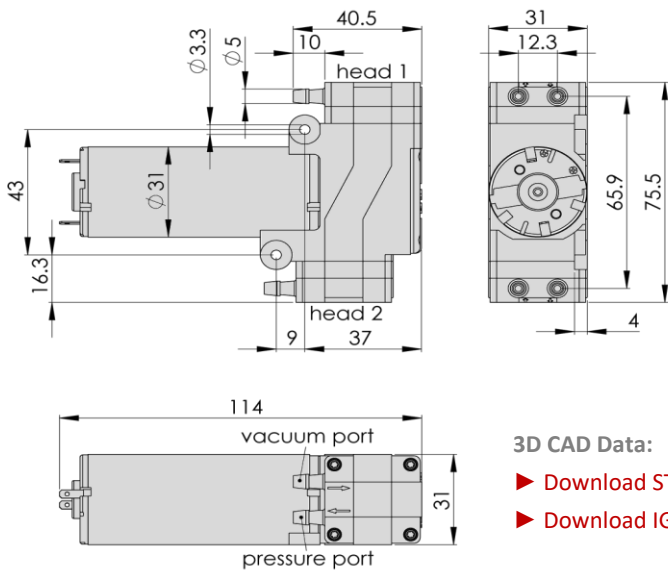


# SP 620 EC - SP 628 EC Dual Head

## PERFORMANCE DIAGRAM | SP 628 EC-DU



## DRAWING | SP 628 EC-DU



Drawing shows standard orientation of pneumatic connectors.  
(3 alternative orientations possible)

### 3D CAD Data:

- ▶ Download STEP
- ▶ Download IGES

You can also download the 3D CAD files from the SP website:  
▶ [www.schwarzer.com/download](http://www.schwarzer.com/download)

All data provided is for information only and does not represent production values.  
Standard products are subject to change without notice.

26.05.2021