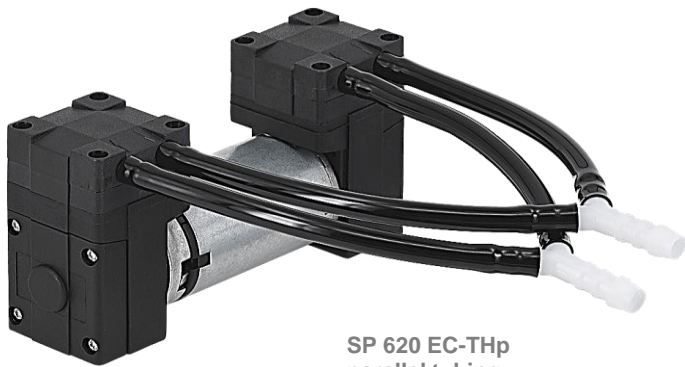
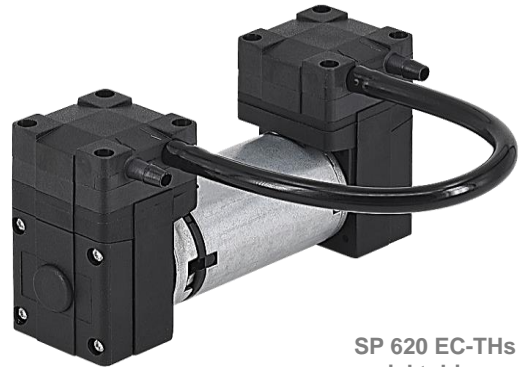




The pumps listed on this data sheet represent a cross-section of the large number of possibilities for each pump type. Based on our modular pump design, all pumps can be customised exactly to meet the needs of your application - within days and at standard pricing. Please contact us for details.



SP 620 EC-THp
parallel tubing



SP 620 EC-THs
serial tubing

Product Features

- High efficiency and durable design
- Small size and low weight
- Low vibration and sound level
- Suitable for any mounting orientation
- Oil-free, maintenance-free, leak-tight

Typical Applications

- Exhaust and flue gas analysis
- Auto samplers
- Chromatography
- Pipetting
- Gas analysis
- Condensate analysers
- Anaesthesia monitoring



TYPE	SP 620 EC-THp	SP 620 EC-THs
	parallel tubing	serial tubing
Operating Voltage [Vdc]	12	12
Art. No.	7s20160	7s20159
max. Nominal Current [mA]	700	800
PERFORMANCE		
max. Flow [l/min]	7,5	4,0
max. Pressure [bar]	1,1	2,6
max. Vacuum [mbar]	-500	-750
MOTOR		
Standard Motor	iron core	
Standard Bearings	ball bearings	
Motor Connection	2 wires	
Optional Motor	n/a	
Optional Bearings	n/a	
MATERIALS		
Standard Pump Head	PPS	
Optional Pump Head	customer specific (upon request)	
Standard Diaphragm	EPDM	
Optional Diaphragm	FKM / FFKM / PTFE	
Standard Valves	EPDM	
Optional Valves	FKM / FFKM / customer specific (upon request)	
Standard Gaskets	EPDM	
Optional Gaskets	FKM / FFKM / customer specific (upon request)	
PNEUMATIC CONNECTION		
Standard Connectors	barbed connectors	
Optional Connectors	n/a	
DIMENSIONS + WEIGHT		
Dimensions [mm] W x H x L	40,5 x 54 x 106	
Weight [g]	250	

Flow values are subject to the standard conditions specified in DIN 1343. The use of other materials may cause deviations in performance values.

The technical data shown on this data sheet represents the typical mean values achieved by the products in our standard testing procedure.

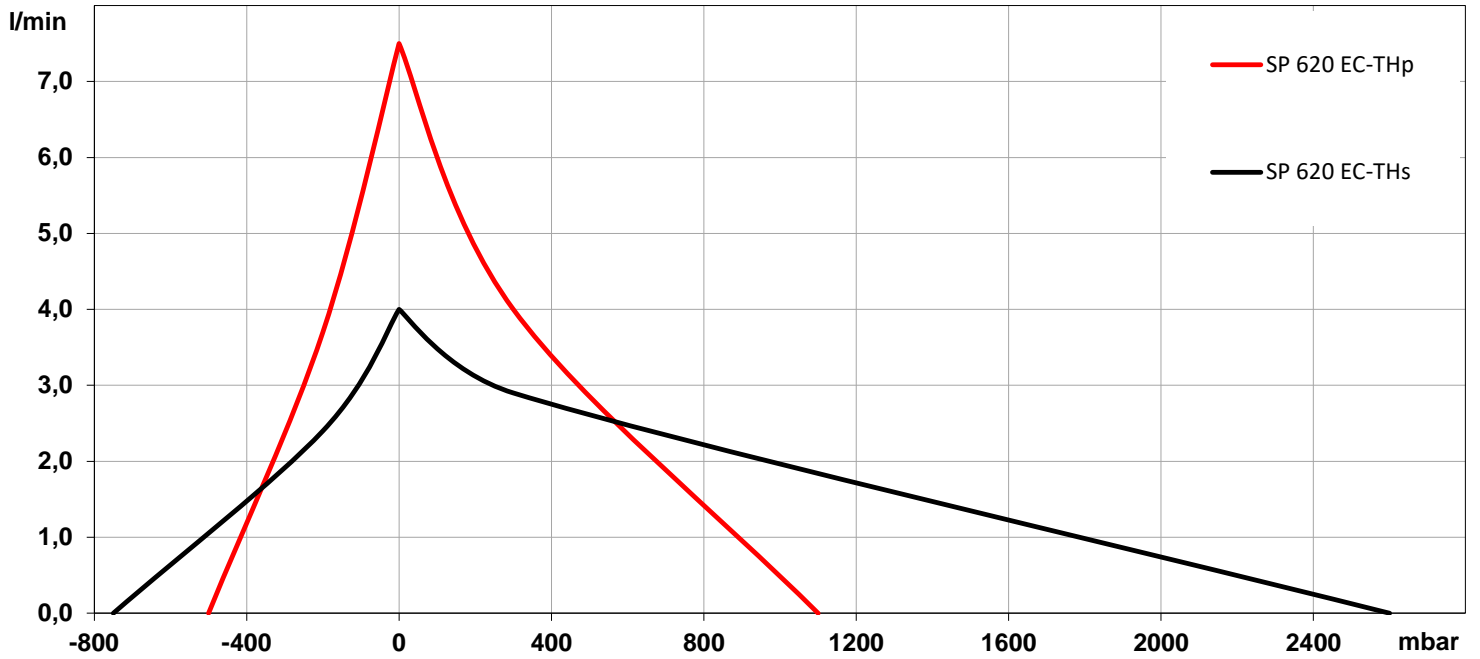
All data provided is for information only and does not represent production values.

Standard products are subject to change without notice.

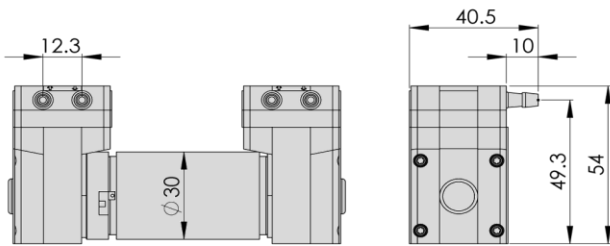
26.05.2021



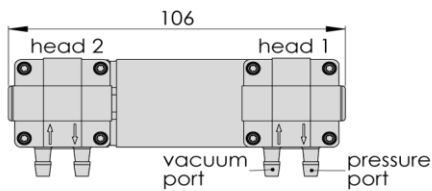
PERFORMANCE DIAGRAM | SP 620 EC-TH



DRAWING | SP 620 EC-TH



Drawing shows standard orientation of pneumatic connectors. (3 alternative orientations possible)



3D CAD Data:

- ▶ Download STEP
- ▶ Download IGES

You can also download the 3D CAD files from the SP website:

▶ www.schwarzer.com/download

All data provided is for information only and does not represent production values.

Standard products are subject to change without notice.

26.05.2021