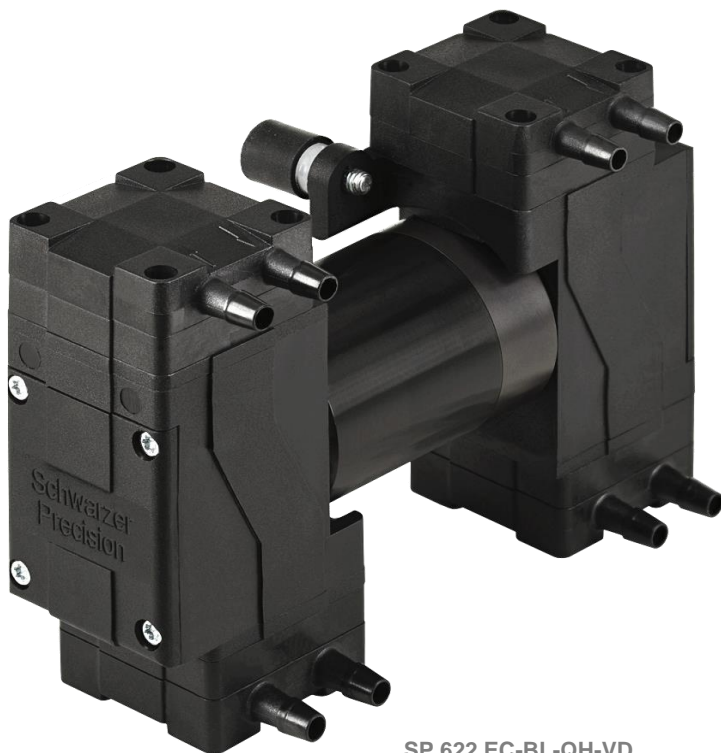




SP 622 EC Brushless Quad Head

The pumps listed on this data sheet represent a cross-section of the large number of possibilities for each pump type. Based on our modular pump design, all pumps can be customised exactly to meet the needs of your application - within days and at standard pricing. Please contact us for details.



SP 622 EC-BL-QH-VD

Product Features

- High efficiency
- Extra durable brushless motors
- Small size and low weight
- Low vibration and sound level
- Suitable for any mounting orientation
- Oil-free, maintenance-free, leak-tight

Typical Applications

- Vacuum supply
- Degassing
- Auto samplers
- Exhaust and flue gas analysis
- Gas analysis
- Pipetting



SP 622 EC Brushless Quad Head

TYPE	SP 622 EC-BL-QH-VD
Operating Voltage [Vdc]	24
Art. No.	7s20390
max. Nominal Current [mA]	1000
PERFORMANCE	
max. Flow [l/min]	7
max. Pressure [bar]	-
max. Vacuum [mbar]	-980
MOTOR	
Standard Motor	brushless for analogue or PWM control
Standard Bearings	ball bearings
Motor Connection	4 wires
Optional Motor	brushless without integrated electronics
Optional Bearings	n/a
MATERIALS	
Standard Pump Head	PPS
Optional Pump Head	customer specific (upon request)
Standard Diaphragm	EPDM
Optional Diaphragm	FKM / FFKM / PTFE
Standard Valves	EPDM
Optional Valves	FKM / FFKM / customer specific (upon request)
Standard Gaskets	EPDM
Optional Gaskets	FKM / FFKM / customer specific (upon request)
HYDRAULIC CONNECTION	
Standard Connectors	barbed connectors
Optional Connectors	n/a
DIMENSIONS + WEIGHT	
Dimensions [mm] W x H x L	53.5 x 75.8 x 110.5
Weight [g]	315

Flow values are subject to the standard conditions specified in DIN 1343. The use of other materials may cause deviations in performance values.

The technical data shown on this data sheet represents the typical mean values achieved by the products in our standard testing procedure.

All data provided is for information only and does not represent production values.

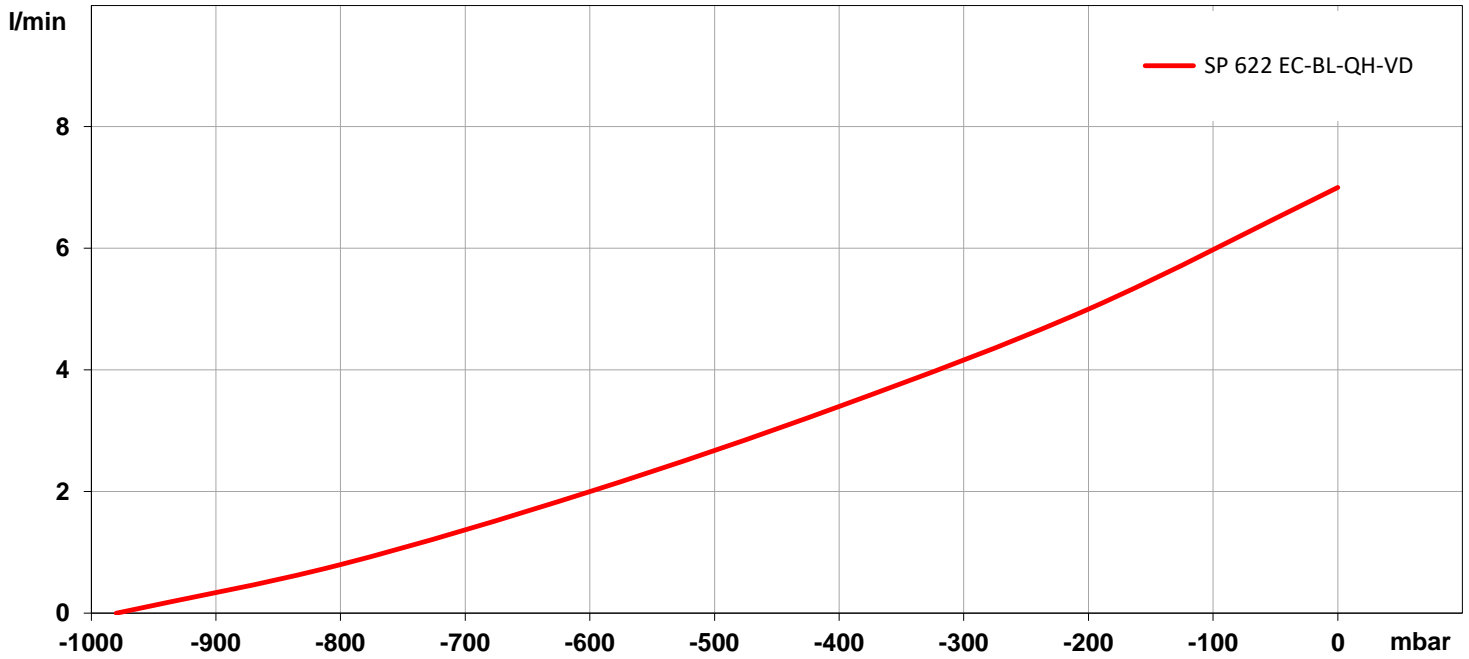
Standard products are subject to change without notice.

04.11.2024

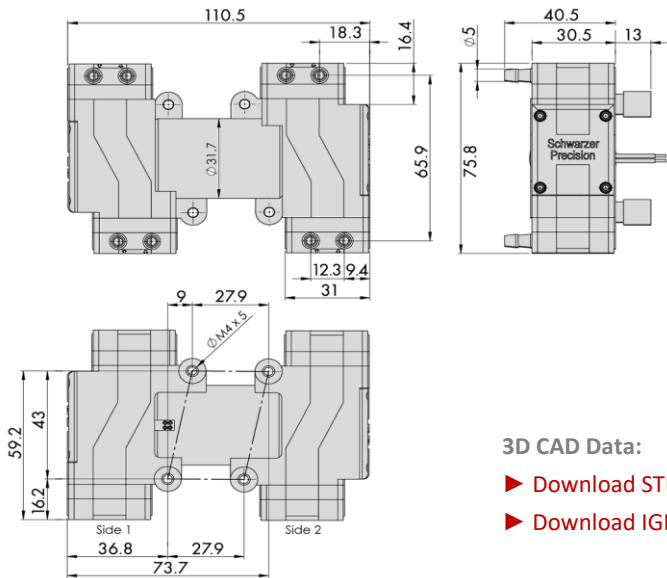


SP 622 EC Brushless Quad Head

PERFORMANCE DIAGRAM | SP 622 EC-BL-QH-VD



DRAWING | SP 622 EC-BL-QH-VD



Drawing shows standard orientation of pneumatic connectors.
(3 alternative orientations possible)

3D CAD Data:

- ▶ Download STEP
- ▶ Download IGES

You can also download the 3D CAD files from the SP website:
▶ www.schwarzer.com/download

All data provided is for information only and does not represent production values.
Standard products are subject to change without notice.

04.11.2024