



The pumps listed on this data sheet represent a cross-section of the large number of possibilities for each pump type. Based on our modular pump design, all pumps can be customised exactly to meet the needs of your application - within days and at standard pricing. Please contact us for details.



SP 625 EC-LC-DUP
parallel tubing



SP 625 EC-LC-DUs
serial tubing

Product Features

- Vacuum or pressure optimised design
- High efficiency and durable design
- Small size and low weight
- Low vibration and sound level
- Suitable for any mounting orientation
- Oil-free, maintenance-free, leak-tight

Typical Applications

- Exhaust and flue gas analysis
- Auto samplers
- Blood pressure monitoring
- Chromatography
- Dental vacuum
- Gas analysis
- Anaesthesia monitoring



TYPE	SP 625 EC-LC-DUp-DV			SP 625 EC-LC-DUs-DV		
	parallel tubing pressure optimised			serial tubing pressure optimised		
Operating Voltage [Vdc]	6	12	24	6	12	24
Art. No.	7s57077	7s57078	7s57079	7s57231	7s57232	7s57233
max. Nominal Current [mA]	2700	1900	800	2600	1700	800
PERFORMANCE						
max. Flow [l/min]	11,0	12,0	12,0	4,8	5,3	5,3
max. Pressure [bar]	1,8	1,8	1,8	3,0	3,0	3,0
max. Vacuum [mbar]	-650	-650	-650	-	-	-
MOTOR						
Standard Motor	iron core					
Standard Bearings	sintered and ball bearings					
Motor Connection	soldering lugs / flat connectors					
Optional Motor	n/a					
Optional Bearings	n/a					
MATERIALS						
Standard Pump Head	PPS					
Optional Pump Head	customer specific (upon request)					
Standard Diaphragm	EPDM					
Optional Diaphragm	FKM / FFKM / PTFE					
Standard Valves	EPDM					
Optional Valves	FKM / FFKM / customer specific (upon request)					
Standard Gaskets	EPDM					
Optional Gaskets	FKM / FFKM / customer specific (upon request)					
PNEUMATIC CONNECTION						
Standard Connectors	barbed connectors					
Optional Connectors	n/a					
DIMENSIONS + WEIGHT						
Dimensions [mm] W x H x L	31 x 75,5 x 90,5					
Weight [g]	250					

Flow values are subject to the standard conditions specified in DIN 1343. The use of other materials may cause deviations in performance values.

The technical data shown on this data sheet represents the typical mean values achieved by the products in our standard testing procedure.

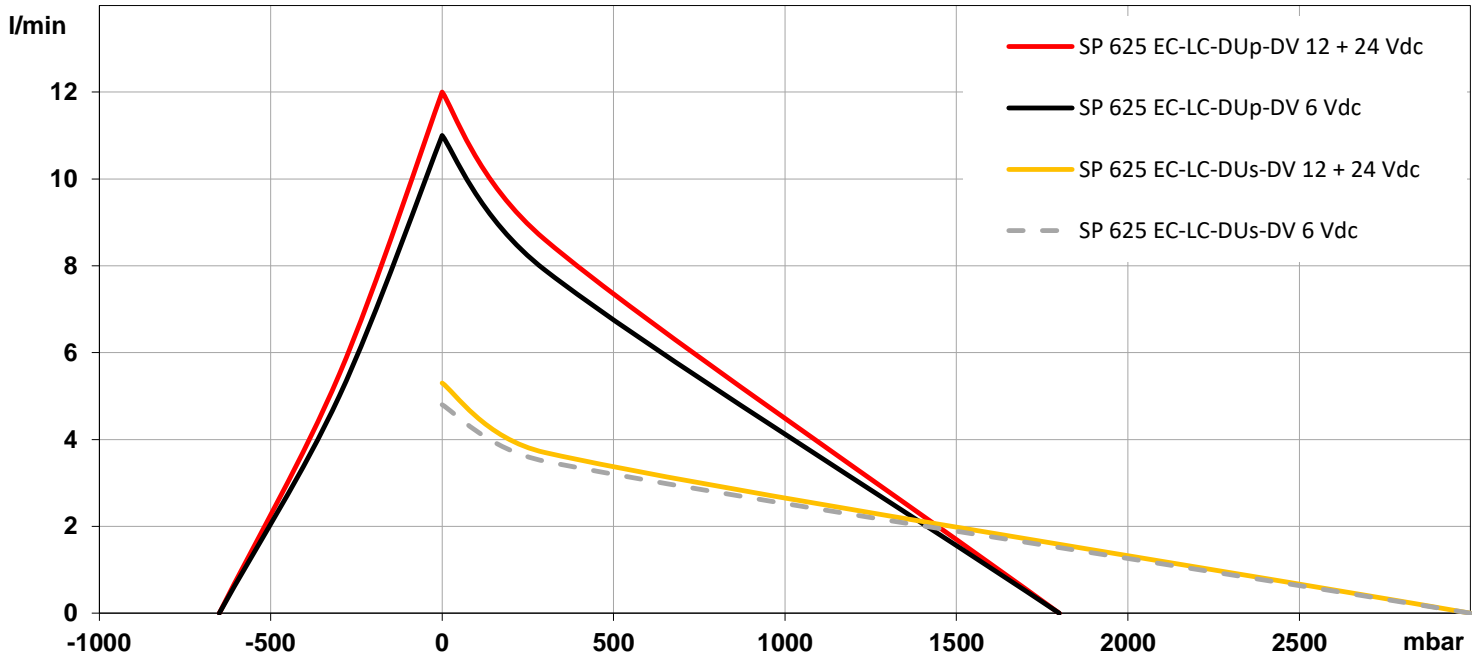
All data provided is for information only and does not represent production values.

Standard products are subject to change without notice.

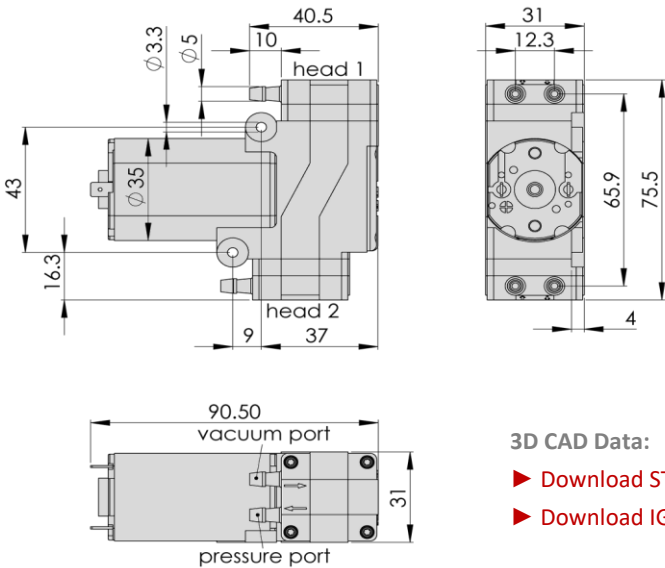
26.05.2021



PERFORMANCE DIAGRAM | SP 625 EC-LC-DUp-DV • SP 625 EC-LC-DUs-DV



DRAWING | SP 625 EC-LC-DUp-DV • SP 625 EC-LC-DUs-DV



Drawing shows standard orientation of pneumatic connectors. (3 alternative orientations possible)

You can also download the 3D CAD files from the SP website: www.schwarzer.com/download

All data provided is for information only and does not represent production values. Standard products are subject to change without notice.

26.05.2021



TYPE	SP 625 EC-LC-DUp-VD			SP 625 EC-LC-DUs-VD		
	parallel tubing vacuum optimised			serial tubing vacuum optimised		
Operating Voltage [Vdc]	6	12	24	6	12	24
Art. No.	57095	57096	57097	57147	57148	57149
max. Nominal Current [mA]	2600	1700	800	2600	1700	800
PERFORMANCE						
max. Flow [l/min]	10,0	11,5	11,5	7,0	7,0	7,0
max. Pressure [bar]	-	-	-	-	-	-
max. Vacuum [mbar]	-720	-720	-720	-910	-910	-910
MOTOR						
Standard Motor	iron core					
Standard Bearings	sintered and ball bearings					
Motor Connection	soldering lugs / flat connectors					
Optional Motor	n/a					
Optional Bearings	n/a					
MATERIALS						
Standard Pump Head	PPS					
Optional Pump Head	customer specific (upon request)					
Standard Diaphragm	EPDM					
Optional Diaphragm	FKM / FFKM / PTFE					
Standard Valves	EPDM					
Optional Valves	FKM / FFKM / customer specific (upon request)					
Standard Gaskets	EPDM					
Optional Gaskets	FKM / FFKM / customer specific (upon request)					
PNEUMATIC CONNECTION						
Standard Connectors	barbed connectors					
Optional Connectors	n/a					
DIMENSIONS + WEIGHT						
Dimensions [mm] W x H x L	31 x 75,5 x 90,5					
Weight [g]	250					

Flow values are subject to the standard conditions specified in DIN 1343. The use of other materials may cause deviations in performance values.

The technical data shown on this data sheet represents the typical mean values achieved by the products in our standard testing procedure.

All data provided is for information only and does not represent production values.

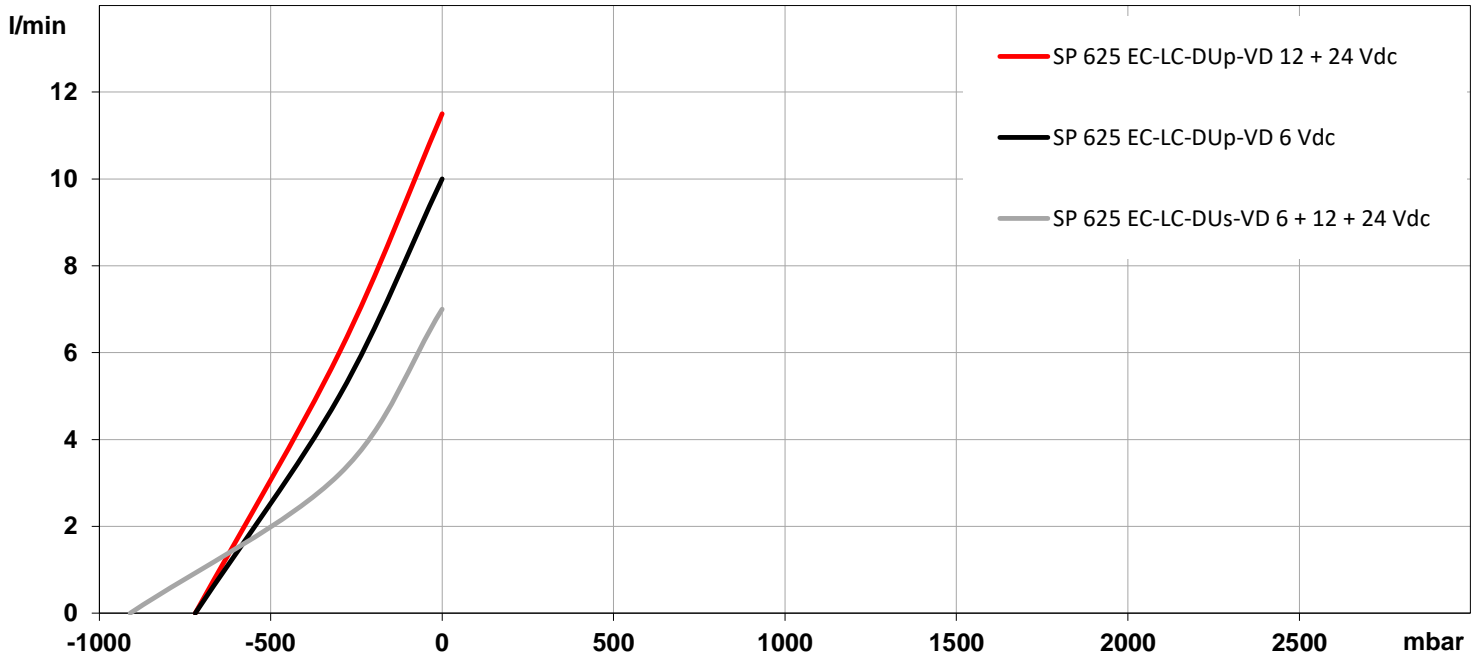
Standard products are subject to change without notice.

26.05.2021

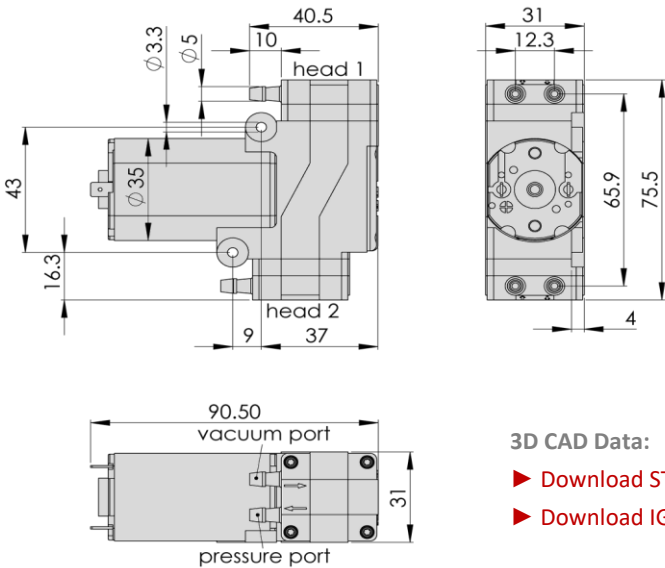


SP 625 EC Dual Head

PERFORMANCE DIAGRAM | SP 625 EC-LC-DUp-VD ▪ SP 625 EC-LC-DUs-VD



DRAWING | SP 625 EC-LC-DUp-VD ▪ SP 625 EC-LC-DUs-VD



Drawing shows standard orientation of pneumatic connectors.
(3 alternative orientations possible)

3D CAD Data:

- ▶ [Download STEP](#)
- ▶ [Download IGES](#)

You can also download the 3D CAD files from the SP website:
▶ www.schwarzer.com/download

All data provided is for information only and does not represent production values.
Standard products are subject to change without notice.

26.05.2021