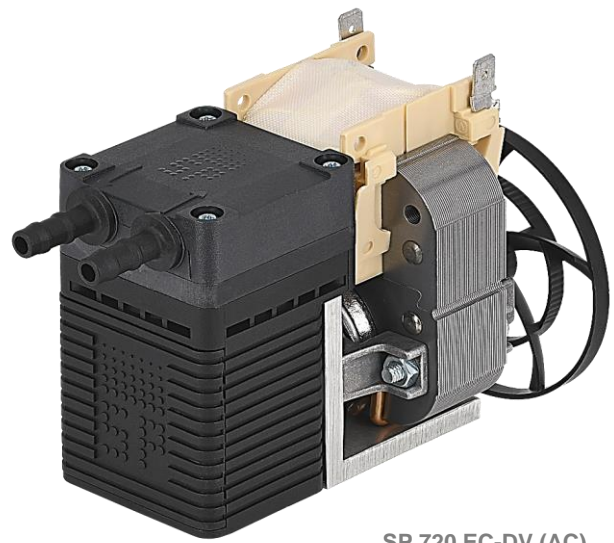




The pumps listed on this data sheet represent a cross-section of the large number of possibilities for each pump type. Based on our modular pump design, all pumps can be customised exactly to meet the needs of your application - within days and at standard pricing. Please contact us for details.



SP 720 EC-DV (DC)  
SP 725 EC-DV (DC)  
DC motor



SP 720 EC-DV (AC)  
AC motor

## Product Features

- Pressure optimised design
- High efficiency and durable design
- Small size and low weight
- Low vibration and sound level
- Suitable for any mounting orientation
- Oil-free, maintenance-free, leak-tight

## Typical Applications

- Exhaust and flue gas analysis
- Auto samplers
- Blood pressure monitoring
- Gas analysis
- Anaesthesia monitoring
- Pipetting
- Pressure and vacuum supply



TYPE	SP 720 EC-DV (DC)		SP 725 EC-DV (DC)		SP 720 EC-DV (AC)
Operating Voltage [Vdc]	12	24	12	24	-
Operating Voltage [Vac]	-	-	-	-	230
Frequency [Hz]	-	-	-	-	50
Art. No.	7s54002	7s54003	7s54014	7s54015	7s54080
max. Nominal Current [mA]	1900	900	2000	900	-
Power Consumption [W]	-	-	-	-	39
<b>PERFORMANCE</b>					
max. Flow [l/min]	7,6	7,6	8,0	8,0	5,6
max. Pressure [bar]	2,7	2,7	2,8	2,8	1,9
max. Vacuum [mbar]	-680	-680	-680	-680	-680
<b>MOTOR</b>					
Standard Motor	iron core			shaded pole	
Standard Bearings	ball bearings			ball bearings	
Motor Connection	2 wires			soldering lugs / flat connectors	
Optional Motor	n/a			n/a	
Optional Bearings	n/a			n/a	
<b>MATERIALS</b>					
Standard Pump Head	PPS				
Optional Pump Head	customer specific (upon request)				
Standard Diaphragm	EPDM				
Optional Diaphragm	customer specific (upon request)				
Standard Valves	EPDM				
Optional Valves	customer specific (upon request)				
Standard Gaskets	EPDM				
Optional Gaskets	customer specific (upon request)				
<b>PNEUMATIC CONNECTION</b>					
Standard Connectors	barbed connectors				
Optional Connectors	n/a				
<b>DIMENSIONS + WEIGHT</b>					
Dimensions [mm] W x H x L	43 x 74,5 x 106		43 x 74,5 x 106		65 x 95,4 x 121
Weight [g]	570		570		858

Flow values are subject to the standard conditions specified in DIN 1343. The use of other materials may cause deviations in performance values.

The technical data shown on this data sheet represents the typical mean values achieved by the products in our standard testing procedure.

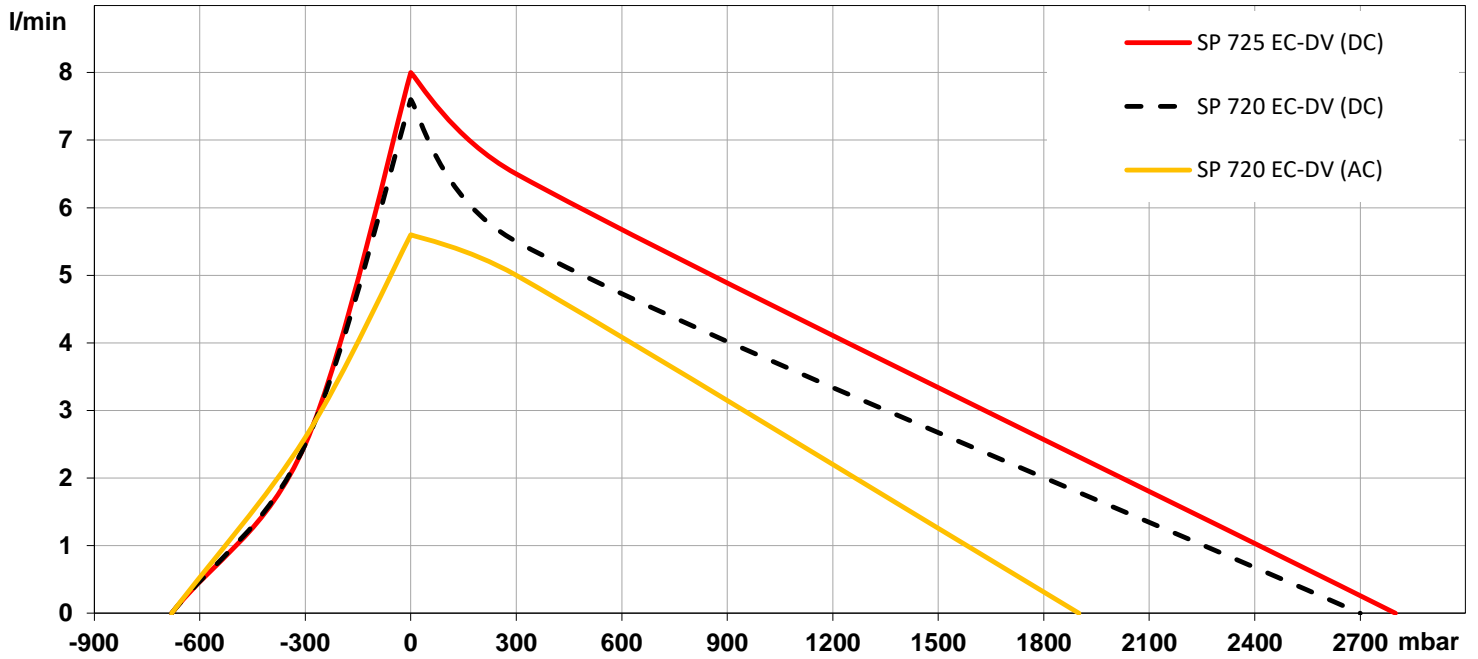
All data provided is for information only and does not represent production values.

Standard products are subject to change without notice.

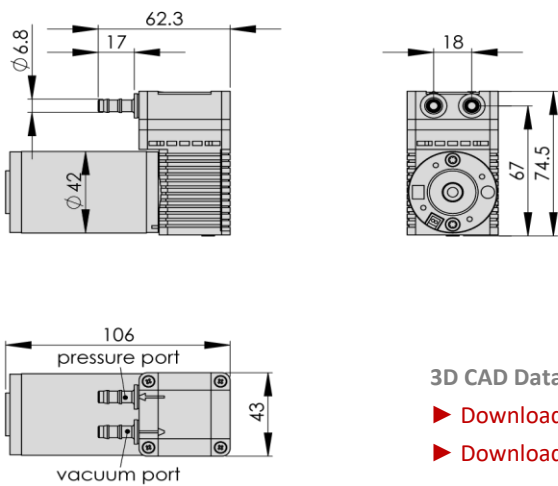
26.05.2021



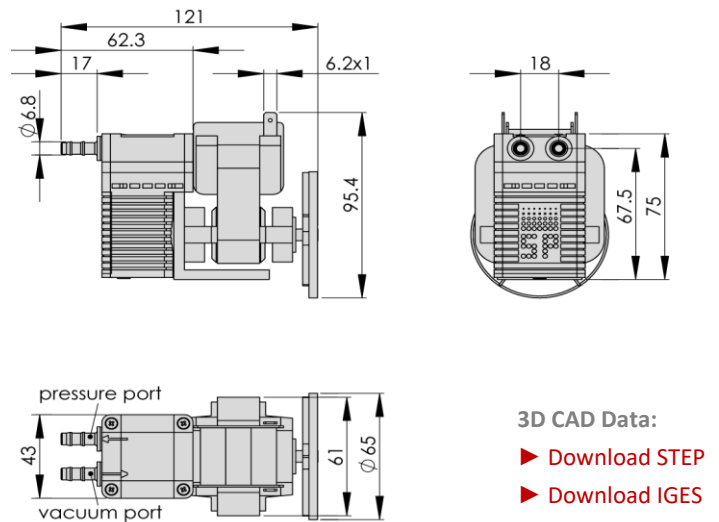
PERFORMANCE DIAGRAM | SP 720 EC-DV (DC) ▪ SP 720 EC-DV (AC) ▪ SP 725 EC-DV (DC)



DRAWING | SP 720 EC-DV (DC) ▪ SP 725 EC-DV (DC)



DRAWING | SP 720 EC-DV (AC)



Drawing shows standard orientation of pneumatic connectors (3 alternative orientations possible).

You can also download the 3D CAD files from the SP website: ▶ [www.schwarzer.com/download](http://www.schwarzer.com/download)

All data provided is for information only and does not represent production values.

Standard products are subject to change without notice.

26.05.2021