



## SP 725 EC Twin Head Liquid

The pumps listed on this data sheet represent a cross-section of the large number of possibilities for each pump type. Based on our modular pump design, all pumps can be customised exactly to meet the needs of your application - within days and at standard pricing. Please contact us for details.



SP 725 EC-THp-L (DC)

### Product Features

- Chemical resistant versions available
- Small size and low weight
- Suitable for any mounting orientation
- Oil-free, maintenance-free
- Self-priming
- Low vibration and sound level

### Typical Applications

- Fuel cells
- Kidney dialysis
- Laboratory analysis
- Pipetting
- Cleaning and disinfection
- Inkjet printing



# SP 725 EC Twin Head Liquid

TYPE	SP 725 EC-THp-L (DC)	
Operating Voltage [Vdc]	12	24
Art. No.	7s54072	7s54073
max. Nominal Current [mA]	3500	1500
<b>PERFORMANCE</b>		
max. Flow [ml/min]	1400	1400
max. Pressure [m H <sub>2</sub> O]	10	10
max. Suction Height [m H <sub>2</sub> O]	-5	-5
max. Vacuum (dry) [mbar]	-650	-650
<b>MOTOR</b>		
Standard Motor	iron core	
Standard Bearings	ball bearings	
Motor Connection	2 wires	
Optional Motor	n/a	
Optional Bearings	n/a	
<b>MATERIALS</b>		
Standard Pump Head	PPS	
Optional Pump Head	customer specific (upon request)	
Standard Diaphragm	EPDM	
Optional Diaphragm	FKM / customer specific (upon request)	
Standard Valves	EPDM	
Optional Valves	FKM / customer specific (upon request)	
Standard Gaskets	EPDM	
Optional Gaskets	FKM / customer specific (upon request)	
<b>HYDRAULIC CONNECTION</b>		
Standard Connectors	barbed connectors	
Optional Connectors	n/a	
<b>DIMENSIONS + WEIGHT</b>		
Dimensions [mm] W x H x L	62,3 x 74,5 x 153	
Weight [g]	850	

Flow values are subject to the standard conditions specified in DIN 1343. The use of other materials may cause deviations in performance values.

The technical data shown on this data sheet represents the typical mean values achieved by the products in our standard testing procedure.

All data provided is for information only and does not represent production values.

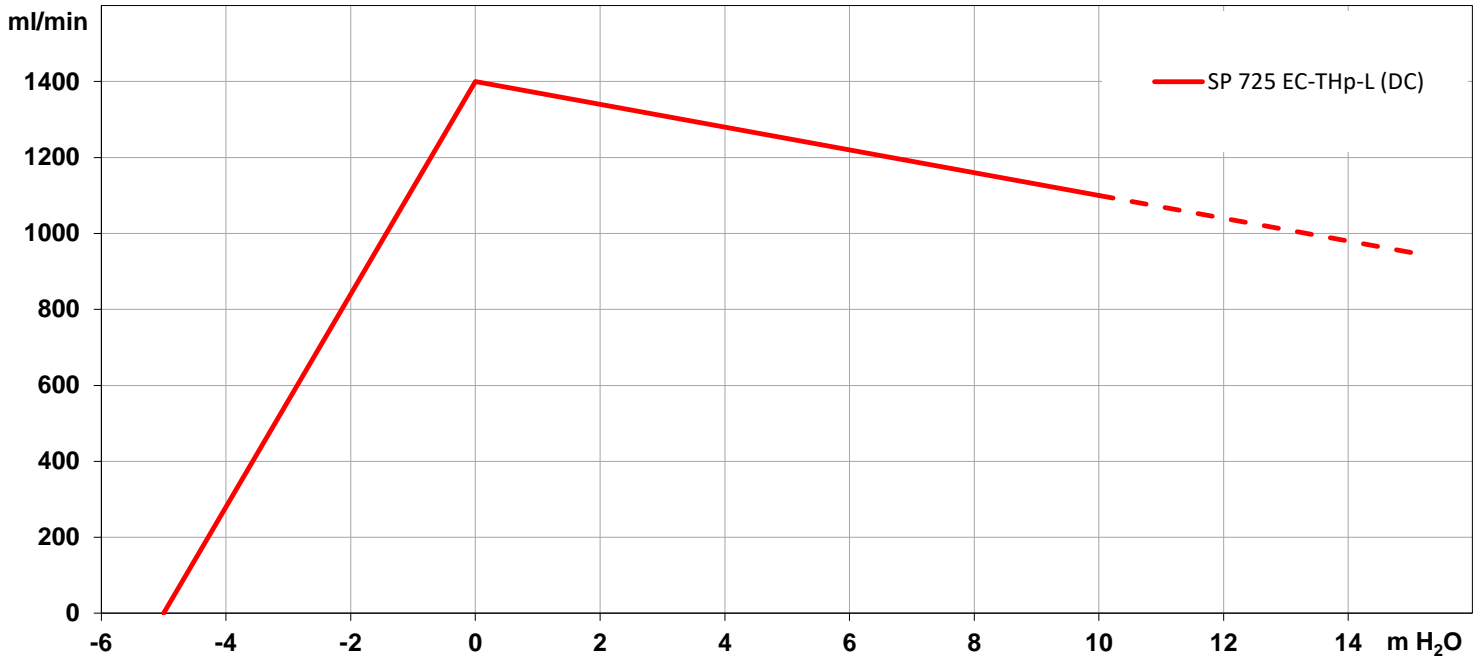
Standard products are subject to change without notice.

26.05.2021

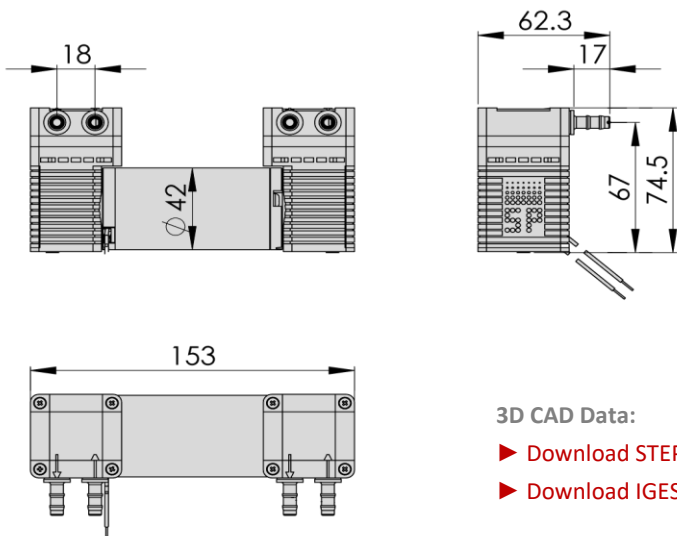


# SP 725 EC Twin Head Liquid

## PERFORMANCE DIAGRAM | SP 725 EC-THp-L (DC)



## DRAWING | SP 725 EC-THp-L (DC)



Drawing shows standard orientation of pneumatic connectors.  
(3 alternative orientations possible)

### 3D CAD Data:

- ▶ Download STEP
- ▶ Download IGES

You can also download the 3D CAD files from the SP website:  
▶ [www.schwarzer.com/download](http://www.schwarzer.com/download)

All data provided is for information only and does not represent production values.  
Standard products are subject to change without notice.

26.05.2021