



The pumps listed on this data sheet represent a cross-section of the large number of possibilities for each pump type. Based on our modular pump design, all pumps can be customised exactly to meet the needs of your application - within days and at standard pricing. Please contact us for details.



SP 725 EC-THp-DV (DC)  
parallel tubing



SP 725 EC-THs-DV (DC)  
serial tubing

## Product Features

- Vacuum or pressure optimised design
- High efficiency and durable design
- Small size and low weight
- Low vibration and sound level
- Suitable for any mounting orientation
- Oil-free, maintenance-free, leak-tight

## Typical Applications

- Exhaust and flue gas analysis
- Auto samplers
- Blood pressure monitoring
- Gas analysis
- Anaesthesia monitoring
- Pipetting
- Pressure and vacuum supply



| TYPE                        | SP 725 EC-THp-DV (DC)            |         | SP 725 EC-THs-DV (DC) |         |
|-----------------------------|----------------------------------|---------|-----------------------|---------|
|                             | parallel tubing                  |         | serial tubing         |         |
| Operating Voltage [Vdc]     | 12                               | 24      | 12                    | 24      |
| Art. No.                    | 7s20162                          | 7s20164 | 7s20161               | 7s20163 |
| max. Nominal Current [mA]   | 1900                             | 1100    | 1500                  | 900     |
| <b>PERFORMANCE</b>          |                                  |         |                       |         |
| max. Flow [l/min]           | 14,8                             | 14,8    | 8,0                   | 8,0     |
| max. Pressure [bar]         | 1,8                              | 1,8     | 3,1                   | 3,1     |
| max. Vacuum [mbar]          | -720                             | -720    | -950                  | -950    |
| <b>MOTOR</b>                |                                  |         |                       |         |
| Standard Motor              | iron core                        |         |                       |         |
| Standard Bearings           | ball bearings                    |         |                       |         |
| Motor Connection            | 2 wires                          |         |                       |         |
| Optional Motor              | n/a                              |         |                       |         |
| Optional Bearings           | n/a                              |         |                       |         |
| <b>MATERIALS</b>            |                                  |         |                       |         |
| Standard Pump Head          | PPS                              |         |                       |         |
| Optional Pump Head          | customer specific (upon request) |         |                       |         |
| Standard Diaphragm          | EPDM                             |         |                       |         |
| Optional Diaphragm          | customer specific (upon request) |         |                       |         |
| Standard Valves             | EPDM                             |         |                       |         |
| Optional Valves             | customer specific (upon request) |         |                       |         |
| Standard Gaskets            | EPDM                             |         |                       |         |
| Optional Gaskets            | customer specific (upon request) |         |                       |         |
| <b>PNEUMATIC CONNECTION</b> |                                  |         |                       |         |
| Standard Connectors         | barbed connectors                |         |                       |         |
| Optional Connectors         | n/a                              |         |                       |         |
| <b>DIMENSIONS + WEIGHT</b>  |                                  |         |                       |         |
| Dimensions [mm] W x H x L   | 62,3 x 74 x 153                  |         |                       |         |
| Weight [g]                  | 850                              |         |                       |         |

Flow values are subject to the standard conditions specified in DIN 1343. The use of other materials may cause deviations in performance values.

The technical data shown on this data sheet represents the typical mean values achieved by the products in our standard testing procedure.

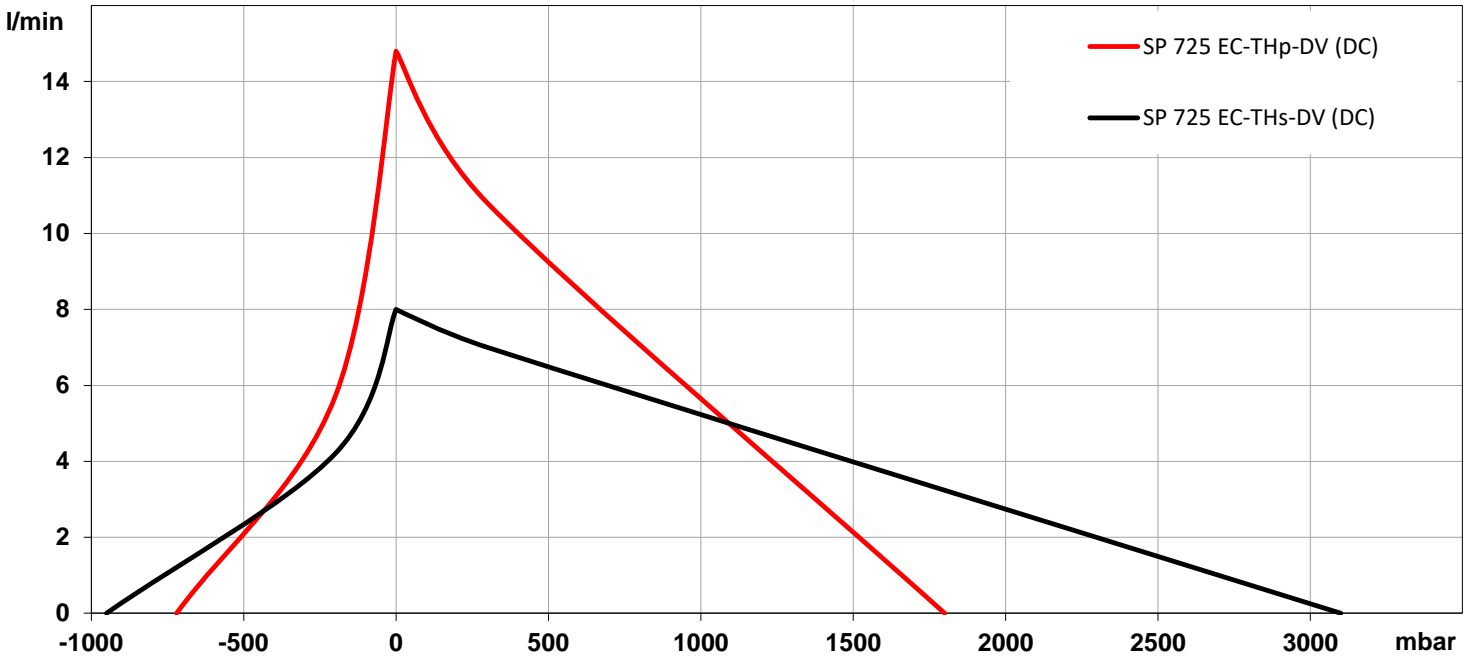
All data provided is for information only and does not represent production values.

Standard products are subject to change without notice.

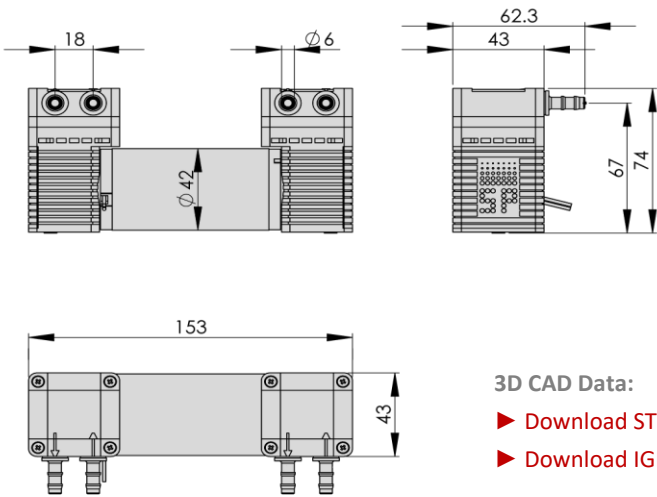
26.05.2021



PERFORMANCE DIAGRAM | SP 725 EC-TH



DRAWING | SP 725 EC-TH



Drawing shows standard orientation of pneumatic connectors. (3 alternative orientations possible)

You can also download the 3D CAD files from the SP website: [www.schwarzer.com/download](http://www.schwarzer.com/download)

All data provided is for information only and does not represent production values. Standard products are subject to change without notice.

26.05.2021