



SP 924 PA ▪ SP 930 PA ▪ SP 950 PA ▪ SP 980 PA

The pumps listed on this data sheet represent a cross-section of the large number of possibilities for each pump type. Based on our modular pump design, all pumps can be customised exactly to meet the needs of your application - within days and at standard pricing. Please contact us for details.



SP 924 PA-D
SP 930 PA-D
SP 950 PA-D
SP 980 PA-D

Product Features

- High efficiency
- Suitable for any mounting orientation
- Durable design
- Oil-free
- Maintenance-free
- Low vibration and sound level

Typical Applications

- Battery chargers
- Stationary gas monitoring



TYPE	SP 924 PA-D	SP 930 PA-D	SP 950 PA-D	SP 980 PA-D
Operating Voltage [Vdc]	230	230	230	230
Frequency [Hz]	50	50	50	50
Art. No.	7s90004	7s90005	7s90002	7s90003
Power Consumption [W]	9	9	12	15
PERFORMANCE				
max. Flow [l/min]	8,7	10,0	15,0	16,7
max. Pressure [bar]	0,125	0,125	0,125	0,125
max. Vacuum [mbar]	-	-	-	-
MOTOR				
Standard Motor	pivot			
Standard Bearings	plastic sleeve bearing			
Motor Connection	2 wires			
Optional Motor	n/a			
Optional Bearings	n/a			
MATERIALS				
Standard Pump Head	PA6			
Optional Pump Head	n/a			
Standard Diaphragm	EPDM			
Optional Diaphragm	n/a			
Standard Valves	EPDM			
Optional Valves	n/a			
Standard Gaskets	EPDM			
Optional Gaskets	n/a			
PNEUMATIC CONNECTION				
Standard Connectors	straight connectors			
Optional Connectors	n/a			
DIMENSIONS + WEIGHT				
Dimensions [mm] W x H x L	100 x 50 x 178			
Weight [g]	1050			

Flow values are subject to the standard conditions specified in DIN 1343. The use of other materials may cause deviations in performance values.

The technical data shown on this data sheet represents the typical mean values achieved by the products in our standard testing procedure.

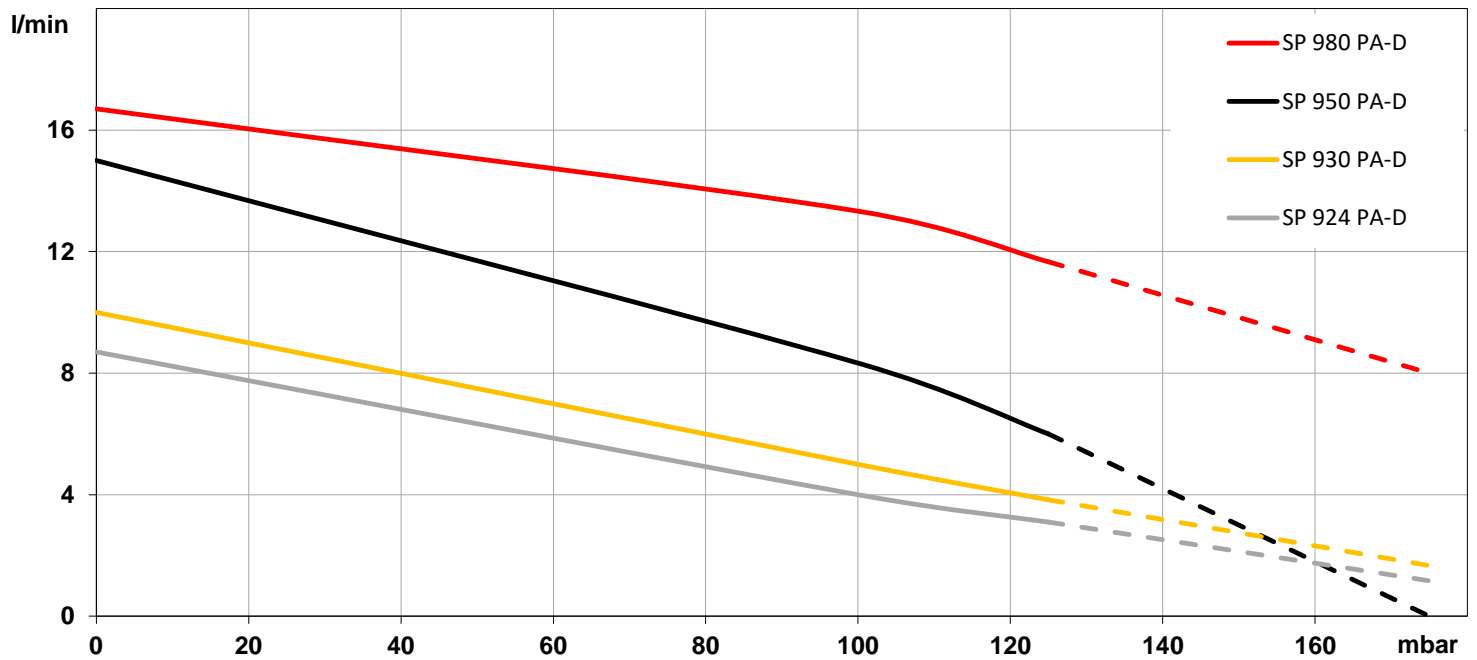
All data provided is for information only and does not represent production values.

Standard products are subject to change without notice.

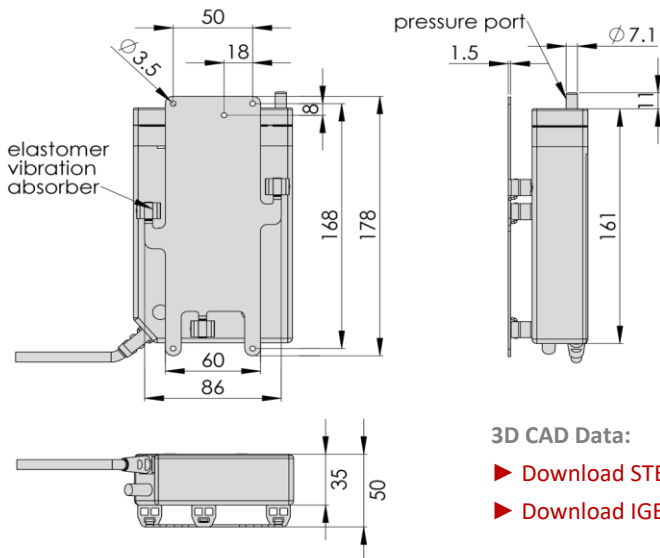
26.05.2021



PERFORMANCE DIAGRAM | SP 924 PA-D ▪ SP 930 PA-D ▪ SP 950 PA-D ▪ SP 980 PA-D



DRAWING | SP 924 PA-D ▪ SP 930 PA-D ▪ SP 950 PA-D ▪ SP 980 PA-D



3D CAD Data:

- ▶ Download STEP
- ▶ Download IGES

You can also download the 3D CAD files from the SP website:
 ▶ www.schwarzer.com/download

All data provided is for information only and does not represent production values.
 Standard products are subject to change without notice.

26.05.2021