



The pumps listed on this data sheet represent a cross-section of the large number of possibilities for each pump type. Based on our modular pump design, all pumps can be customised exactly to meet the needs of your application - within days and at standard pricing. Please contact us for details.



SP V 12 RO-3DC-B-D



SP V 12 RO-3DC-V-VD
SP V 12 RO-6DC-V-VD

Product Features

- Low pulsation
- Suitable for any mounting orientation
- Oil-free, maintenance-free, leak-tight
- Low vibration and sound level
- High efficiency
- Small size and low weight

Typical Applications

- Blood pressure monitoring



TYPE	SP V 12 RO-3DC-B-D	SP V 12 RO-3DC-V-VD	SP V 12 RO-6DC-V-VD
Operating Voltage [Vdc]	3	3	6
Art. No.	7k73016	7k73029	7k73030
max. Nominal Current [mA]	350	350	300
PERFORMANCE			
max. Flow [l/min]	0,65	0,60	0,65
max. Pressure [bar]	0,5	0,5	0,5
max. Vacuum [mbar]	-	-200	-200
MOTOR			
Standard Motor	iron core		
Standard Bearings	sintered bearings		
Motor Connection	soldering lugs		
Optional Motor	n/a		
Optional Bearings	n/a		
MATERIALS			
Standard Pump Head	ABS & POM		
Optional Pump Head	n/a		
Standard Diaphragm	EPDM		
Optional Diaphragm	n/a		
Standard Valves	NBR		
Optional Valves	n/a		
Standard Gaskets	EPDM		
Optional Gaskets	n/a		
PNEUMATIC CONNECTION			
Standard Connectors	1 straight connector	2 straight connectors	
Optional Connectors	n/a	n/a	
DIMENSIONS + WEIGHT			
Dimensions [mm] W x H x L	12 x 27 x 51		
Weight [g]	23		

Flow values are subject to the standard conditions specified in DIN 1343. The use of other materials may cause deviations in performance values.

The technical data shown on this data sheet represents the typical mean values achieved by the products in our standard testing procedure.

All data provided is for information only and does not represent production values.

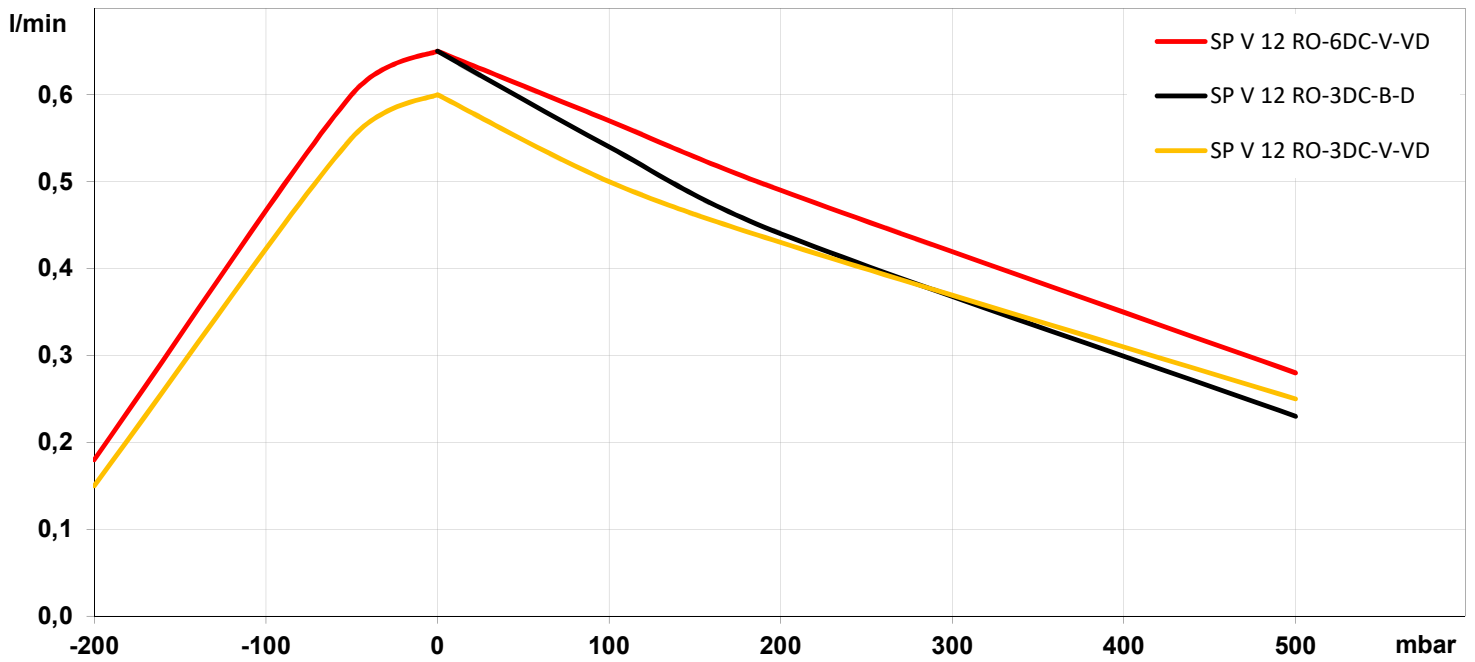
Standard products are subject to change without notice.

28.07.2021

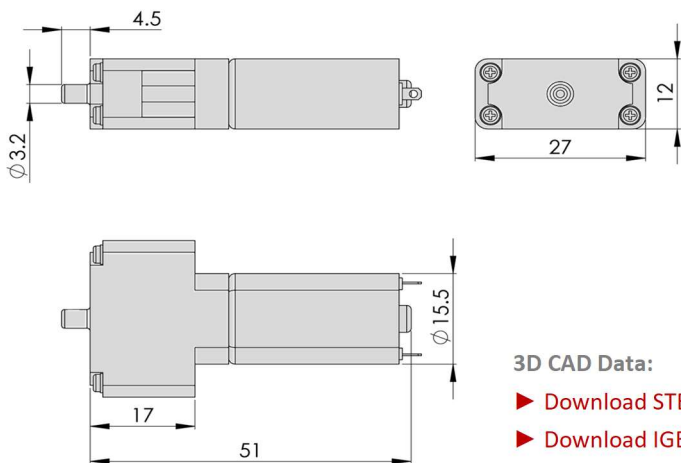


SP V 12 RO

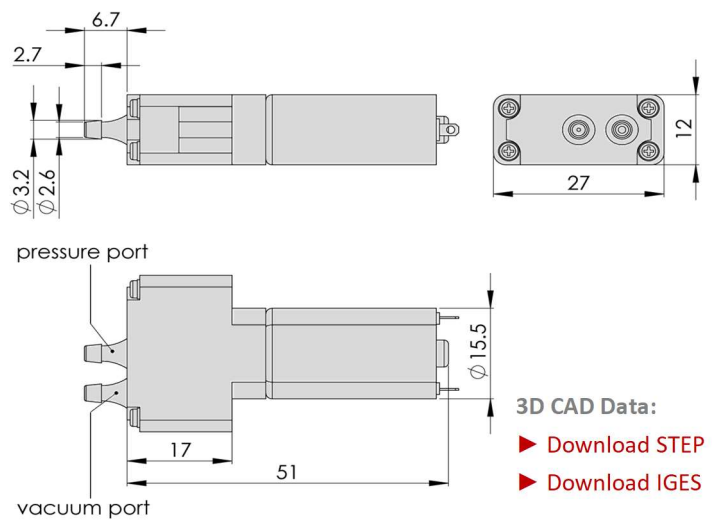
PERFORMANCE DIAGRAM | SP V 12 RO



DRAWING | SP V 12 RO-3DC-B-D



DRAWING | SP V 12 RO-3DC-V-VD ▪ SP V 12 RO-6DC-V-VD



You can also download the 3D CAD files from the SP website:

▶ www.schwarzer.com/download

All data provided is for information only and does not represent production values.

Standard products are subject to change without notice.

28.07.2021