



The pumps listed on this data sheet represent a cross-section of the large number of possibilities for each pump type. Based on our modular pump design, all pumps can be customised exactly to meet the needs of your application - within days and at standard pricing. Please contact us for details.



SP V 27 RO-6TC-S-D
SP V 27 RO-6TC-M-D
SP-V 27 RO-12TC-B-D



SP V 27 RO-12TC-FH-D
SP V 27 RO-12TW-D-V

Product Features

- Low pulsation
- Suitable for any mounting orientation
- Oil-free, maintenance-free, leak-tight
- Low vibration and sound level
- High efficiency
- Small size and low weight

Typical Applications

- Blood pressure monitoring



TYPE	SP V 27 RO-	6TC-S-D	6TC-M-D	12TC-B-D	12TC-FH-D	12TW-D-V
Operating Voltage [Vdc]		6	6	12	12	12
Art. No.		7k73051	7k73052	7k73056	7k73061	7k73015
max. Nominal Current [mA]		300	330	200	470	200
PERFORMANCE						
max. Flow [l/min]		1,6	1,9	2,0	2,1	1,4
max. Pressure [bar]		0,8	0,8	0,7	1,25	-
max. Vacuum [mbar]		-	-	-	-	-350
MOTOR						
Standard Motor		iron core				
Standard Bearings		sintered bearings				
Motor Connection		soldering lugs				
Optional Motor		n/a				
Optional Bearings		n/a				
MATERIALS						
Standard Pump Head		ABS & POM				
Optional Pump Head		n/a				
Standard Diaphragm		EPDM				
Optional Diaphragm		n/a				
Standard Valves		NBR				
Optional Valves		n/a				
Standard Gaskets		EPDM				
Optional Gaskets		n/a				
PNEUMATIC CONNECTION						
Standard Connectors		1 straight connector			2 straight connectors	
Optional Connectors		n/a			n/a	
DIMENSIONS + WEIGHT						
Dimensions [mm] W x H x L		27 x 27 x 68,2			27 x 27 x 72,2	
Weight [g]		62			62	

Flow values are subject to the standard conditions specified in DIN 1343. The use of other materials may cause deviations in performance values.

The technical data shown on this data sheet represents the typical mean values achieved by the products in our standard testing procedure.

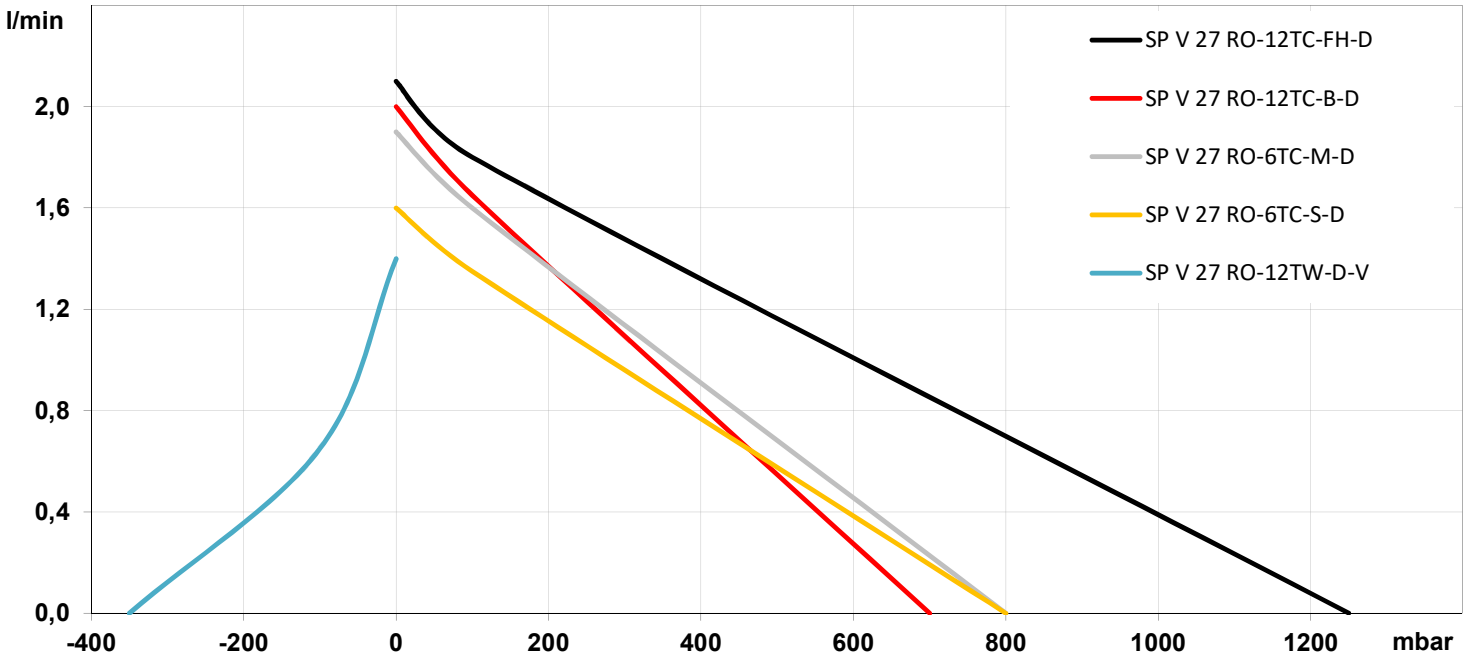
All data provided is for information only and does not represent production values.

Standard products are subject to change without notice.

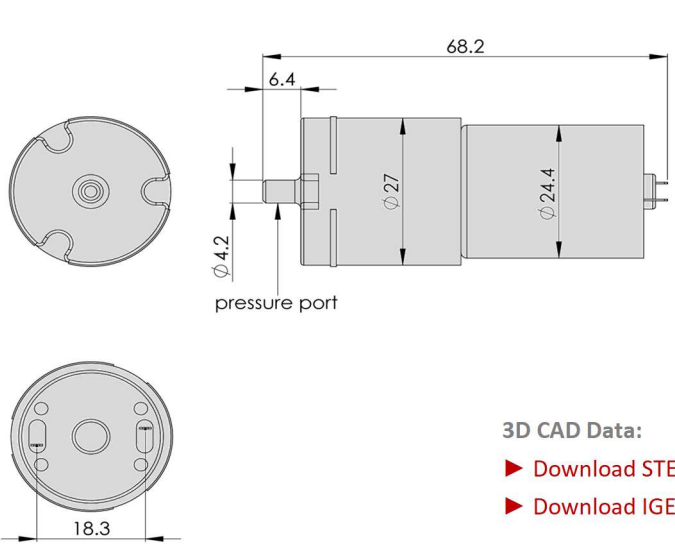
28.07.2021



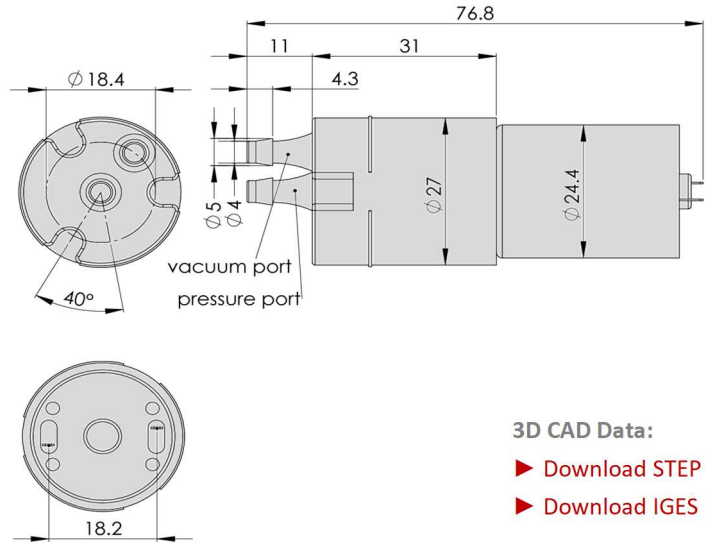
PERFORMANCE DIAGRAM | SP V 27 RO



DRAWING | SP V 27 RO-6TC-S-D ▪ -6TC-M-D ▪ -12TC-B-D



DRAWING | SP V 27 RO-12TC-FH-D ▪ -12TW-D-V



You can also download the 3D CAD files from the SP website:

▶ www.schwarzer.com/download

All data provided is for information only and does not represent production values.

Standard products are subject to change without notice.

28.07.2021