



SP V 30 RO ▪ SP V 32 RO ▪ SP V 35 RO

The pumps listed on this data sheet represent a cross-section of the large number of possibilities for each pump type. Based on our modular pump design, all pumps can be customised exactly to meet the needs of your application - within days and at standard pricing. Please contact us for details.



SP V 30 RO-12FV-C-V
SP V 30 RO-12FC-C-DV



SP V 32 RO-12FC-A-D



SP V 35 RO-12FC-A-DV

Product Features

- Low pulsation
- Suitable for any mounting orientation
- Oil-free, maintenance-free, leak-tight
- Low vibration and sound level
- High efficiency
- Small size and low weight

Typical Applications

- Blood pressure monitoring
- Coffee machines



SP V 30 RO ▪ SP V 32 RO ▪ SP V 35 RO

TYPE	SP V 30 RO-12FV-C-V	SP V 30 RO-12FC-C-DV	SP V 32 RO-12FC-A-D	SP V 35 RO-12FC-A-DV
Operating Voltage [Vdc]	12	12	12	12
Art. No.	7k73084	7k73092	7k73089	7k73093
max. Nominal Current [mA]	310	250	400	850
PERFORMANCE				
max. Flow [l/min]	3,7	4,0	4,2	5,3
max. Pressure [bar]	-	0,8	0,8	1,3
max. Vacuum [mbar]	-640	-	-	-
MOTOR				
Standard Motor	iron core			
Standard Bearings	sintered bearings			
Motor Connection	soldering lugs			
Optional Motor	n/a			
Optional Bearings	n/a			
MATERIALS				
Standard Pump Head	ABS & POM			
Optional Pump Head	n/a			
Standard Diaphragm	EPDM			
Optional Diaphragm	n/a			
Standard Valves	NBR			
Optional Valves	n/a			
Standard Gaskets	EPDM			
Optional Gaskets	n/a			
PNEUMATIC CONNECTION				
Standard Connectors	straight connectors			
Optional Connectors	n/a			
DIMENSIONS + WEIGHT				
Dimensions [mm] W x H x L	30,5 x 30,5 x 74,6		32 x 32 x 74,6	35 x 35 x 98,8
Weight [g]	89		92	140

Flow values are subject to the standard conditions specified in DIN 1343. The use of other materials may cause deviations in performance values.

The technical data shown on this data sheet represents the typical mean values achieved by the products in our standard testing procedure.

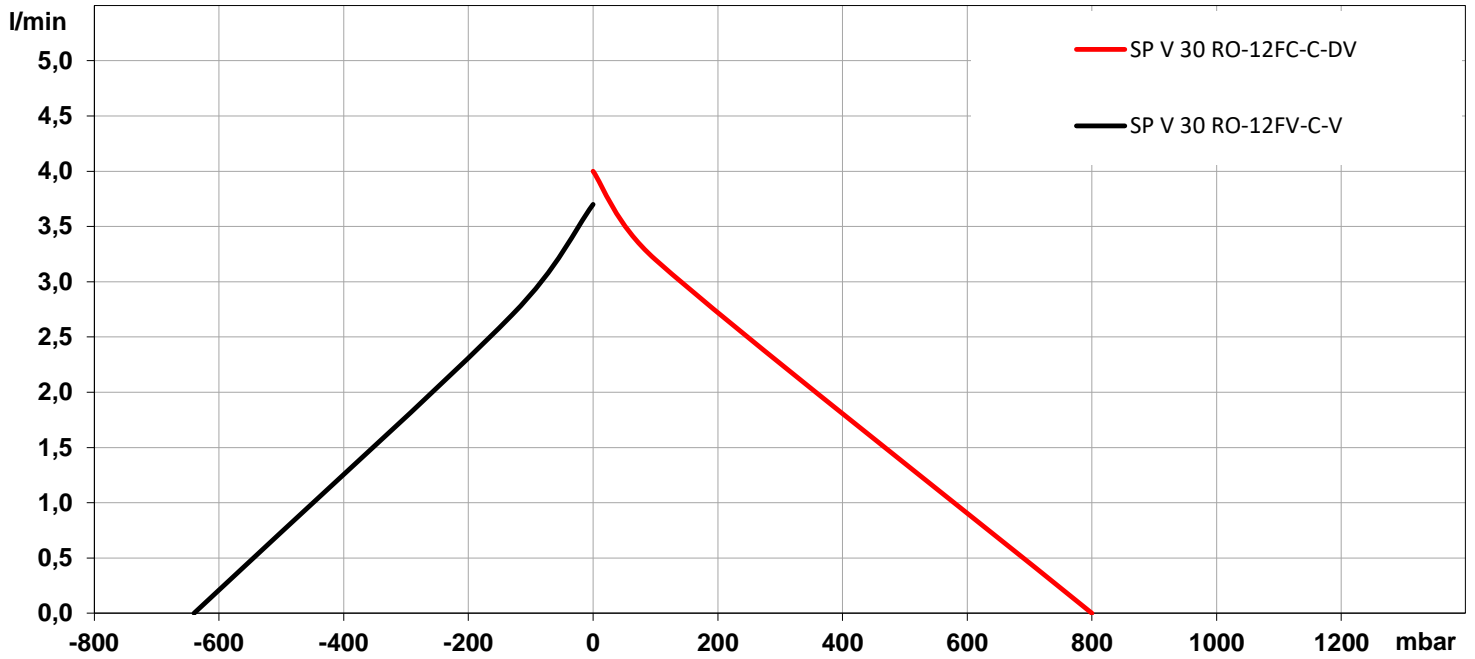
All data provided is for information only and does not represent production values.

Standard products are subject to change without notice.

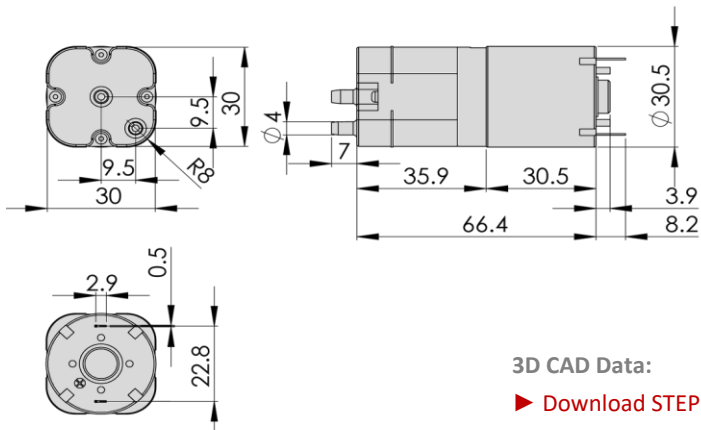
26.05.2021



PERFORMANCE DIAGRAM | SP V 30 RO



DRAWING | SP V 30 RO



3D CAD Data:

- ▶ Download STEP
- ▶ Download IGES

You can also download the 3D CAD files from the SP website:
 ▶ www.schwarzer.com/download

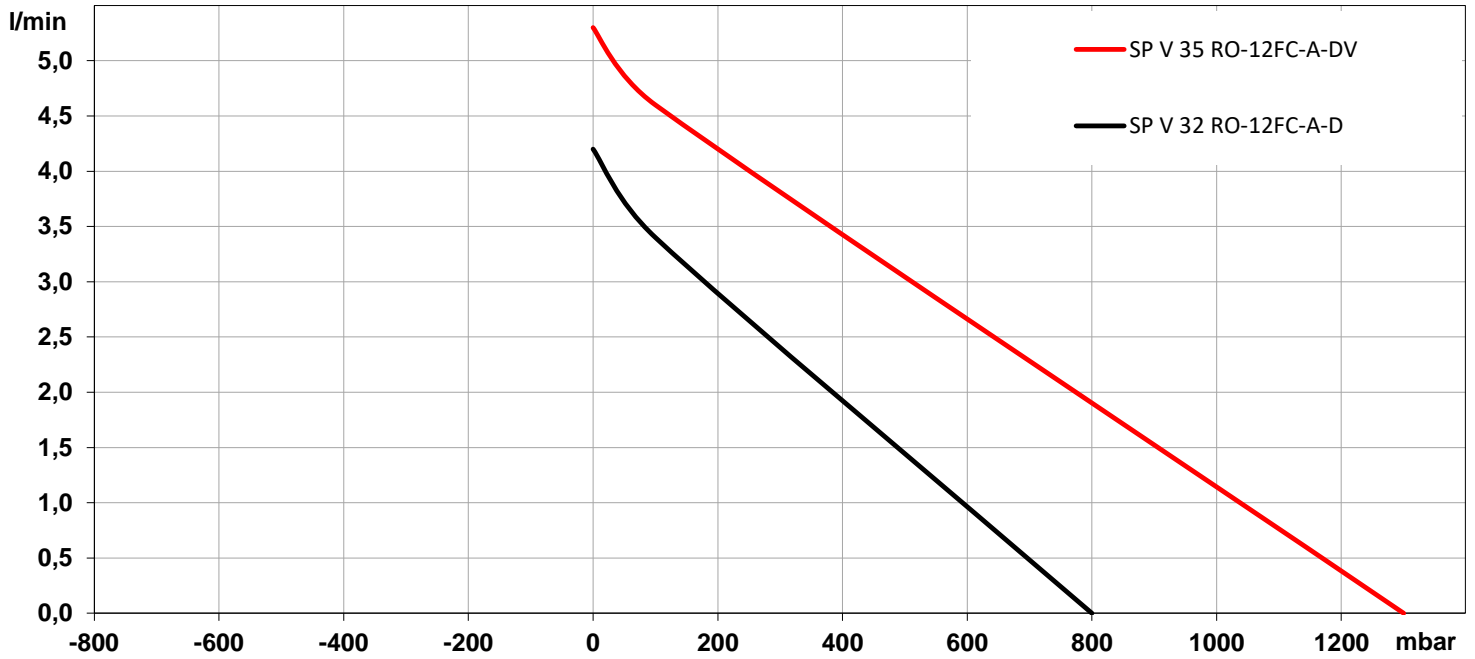
All data provided is for information only and does not represent production values.
 Standard products are subject to change without notice.

26.05.2021

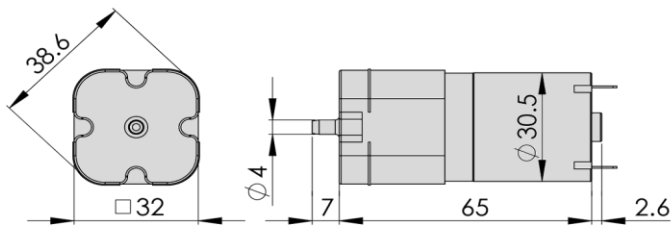


SP V 30 RO ▪ SP V 32 RO ▪ SP V 35 RO

PERFORMANCE DIAGRAM | SP V 32 RO ▪ SP V 35 RO



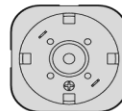
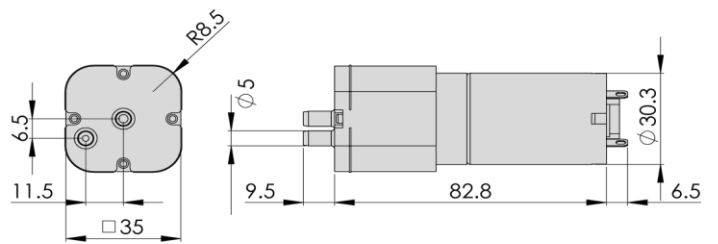
DRAWING | SP V 32 RO



3D CAD Data:

- ▶ Download STEP
- ▶ Download IGES

DRAWING | SP V 35 RO



3D CAD Data:

- ▶ Download STEP
- ▶ Download IGES

You can also download the 3D CAD files from the SP website:

▶ www.schwarzer.com/download

All data provided is for information only and does not represent production values.

Standard products are subject to change without notice.

26.05.2021