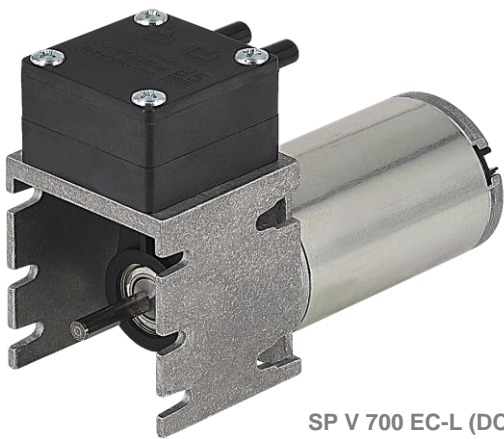




SP V 700 EC Liquid

The pumps listed on this data sheet represent a cross-section of the large number of possibilities for each pump type. Based on our modular pump design, all pumps can be customised exactly to meet the needs of your application - within days and at standard pricing. Please contact us for details.



SP V 700 EC-L (DC)



SP V 700 EC-L (AC)

Product Features

- Chemical resistant versions available
- Small size and low weight
- Suitable for any mounting orientation
- Oil-free, maintenance-free
- Self-priming
- Low vibration and sound level

Typical Applications

- Fuel cells
- Kidney dialysis
- Laboratory analysis
- Pipetting
- Cleaning and disinfection
- Inkjet printing



TYPE	SP V 700 EC-L (DC)		SP V 700 EC-L (AC)	
Operating Voltage [Vdc]	12	24	-	-
Operating Voltage [Vac]	-	-	120	230
Frequency [Hz]	-	-	60	50
Art. No.	7e53023	7e53021	7e53025	7e53024
max. Nominal Current [mA]	800	500	740	330
PERFORMANCE				
max. Flow [ml/min]	625	650	600	600
max. Pressure [m H ₂ O]	10	10	10	10
max. Suction Height [m H ₂ O]	-4,5	-4,5	-4,5	-4,5
max. Vacuum (dry) [mbar]				
MOTOR				
Standard Motor	iron core		shaded pole	
Standard Bearings	ball bearings		ball bearings	
Motor Connection	2 wires		soldering lugs / flat connectors	
Optional Motor	n/a		n/a	
Optional Bearings	sintered bearings		n/a	
MATERIALS				
Standard Pump Head	PPS			
Optional Pump Head	PA6			
Standard Diaphragm	FKM			
Optional Diaphragm	EPDM			
Standard Valves	FKM			
Optional Valves	n/a			
Standard Gaskets	FKM			
Optional Gaskets	n/a			
HYDRAULIC CONNECTION				
Standard Connectors	straight connectors			
Optional Connectors	n/a			
DIMENSIONS + WEIGHT				
Dimensions [mm] W x H x L	64,3 x 84,9 x 117		98,6 x 75,4 x 139,9	
Weight [g]	574		1020	

Flow values are subject to the standard conditions specified in DIN 1343. The use of other materials may cause deviations in performance values.

The technical data shown on this data sheet represents the typical mean values achieved by the products in our standard testing procedure.

All data provided is for information only and does not represent production values.

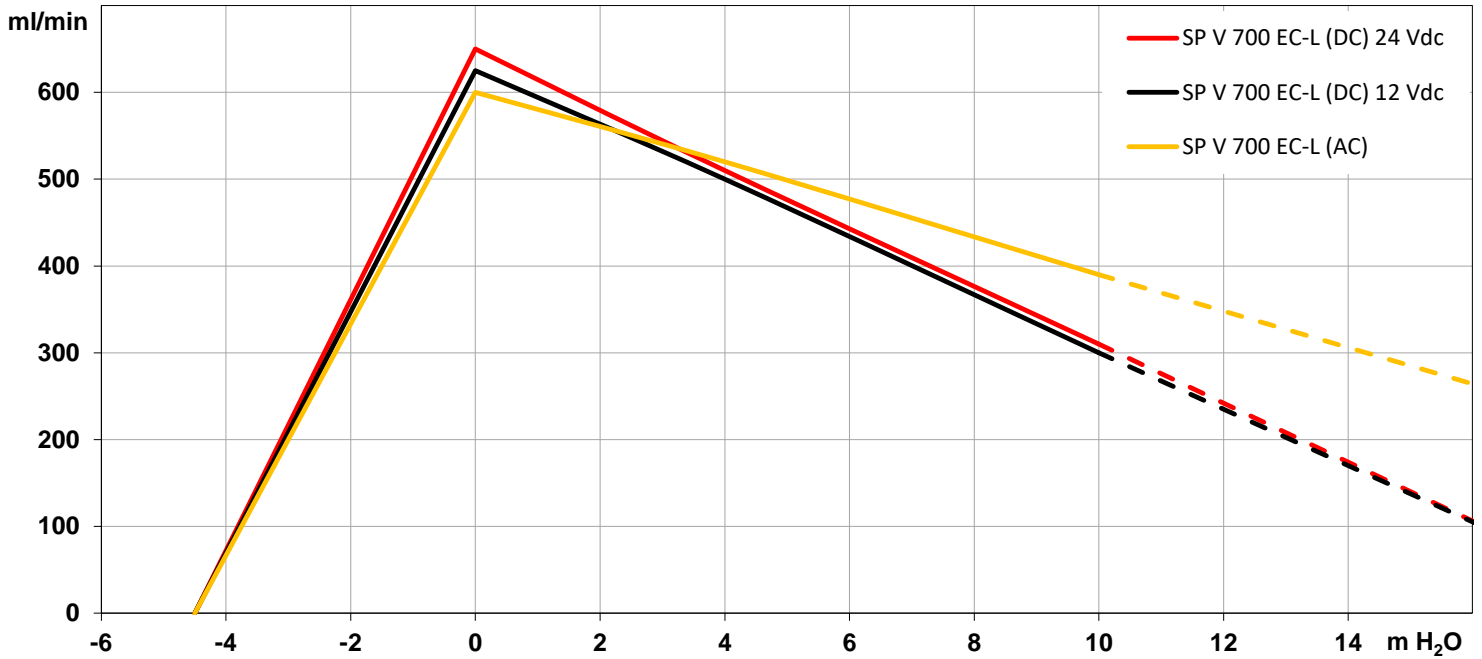
Standard products are subject to change without notice.

26.05.2021

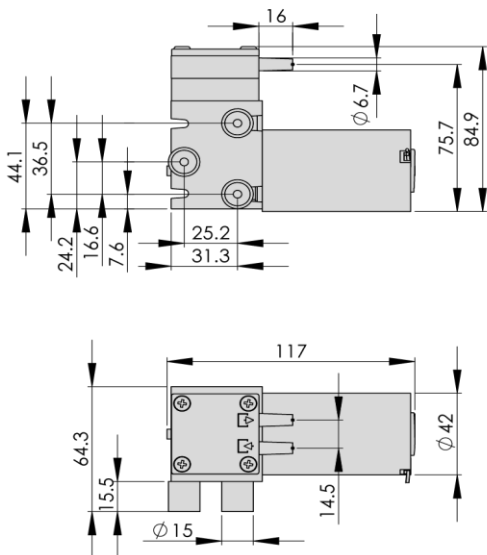


SP V 700 EC Liquid

PERFORMANCE DIAGRAM | SP V 700 EC-L



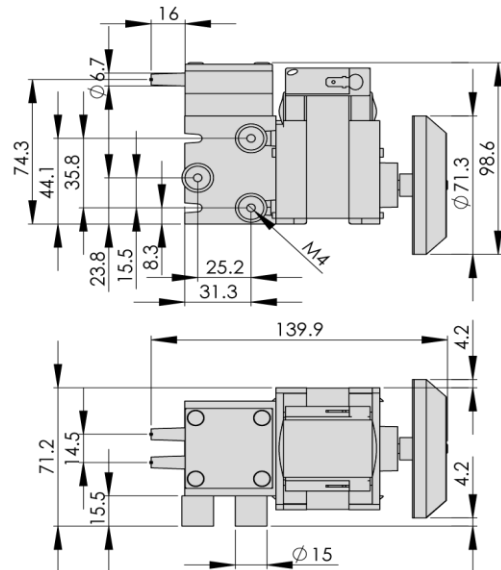
DRAWING | SP V 700 EC-L (DC)



3D CAD Data:

- ▶ Download STEP
- ▶ Download IGES

DRAWING | SP V 700 EC-L (AC)



3D CAD Data:

- ▶ Download STEP
- ▶ Download IGES

Drawing shows standard orientation of pneumatic connectors (3 alternative orientations possible).

You can also download the 3D CAD files from the SP website:

▶ www.schwarzer.com/download

All data provided is for information only and does not represent production values.

Standard products are subject to change without notice.

26.05.2021