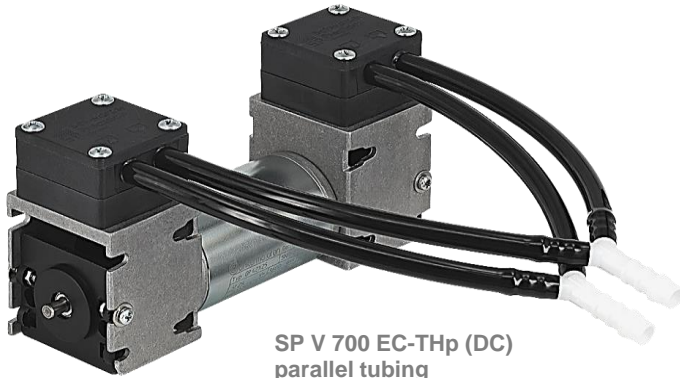
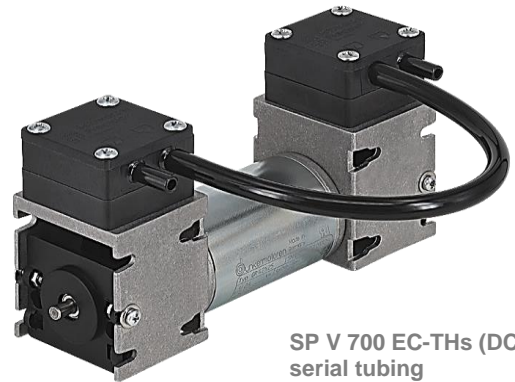




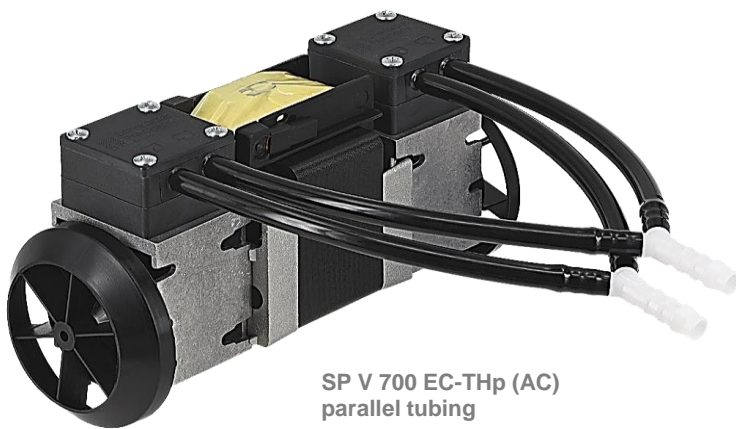
The pumps listed on this data sheet represent a cross-section of the large number of possibilities for each pump type. Based on our modular pump design, all pumps can be customised exactly to meet the needs of your application - within days and at standard pricing. Please contact us for details.



SP V 700 EC-THp (DC)  
parallel tubing



SP V 700 EC-THs (DC)  
serial tubing



SP V 700 EC-THp (AC)  
parallel tubing



SP V 700 EC-THs (AC)  
serial tubing

## Product Features

- Vacuum or pressure optimised design
- High efficiency and durable design
- Small size and low weight
- Low vibration and sound level
- Suitable for any mounting orientation
- Oil-free, maintenance-free, leak-tight

## Typical Applications

- Exhaust and flue gas analysis
- Auto samplers
- Blood pressure monitoring
- Gas analysis
- Anaesthesia monitoring
- Pipetting
- Pressure and vacuum supply



TYPE	SP V 700 EC-THp-VD (DC)		SP V 700 EC-THs-VD (DC)	
	parallel tubing DC operation		serial tubing DC operation	
Operating Voltage [Vdc]	12	24	12	24
Art. No.	7e20008	7e20010	7e20007	7e20009
max. Nominal Current [mA]	2000	1000	2000	1000
<b>PERFORMANCE</b>				
max. Flow [l/min]	15	16	7,5	9
max. Pressure [bar]	1,5	1,5	2,0	2,0
max. Vacuum [mbar]	-810	-840	-970	-970
<b>MOTOR</b>				
Standard Motor	iron core			
Standard Bearings	ball bearings			
Motor Connection	2 wires			
Optional Motor	n/a			
Optional Bearings	n/a			
<b>MATERIALS</b>				
Standard Pump Head	PPS			
Optional Pump Head	PA6			
Standard Diaphragm	FKM			
Optional Diaphragm	EPDM			
Standard Valves	FKM			
Optional Valves	n/a			
Standard Gaskets	FKM			
Optional Gaskets	n/a			
<b>PNEUMATIC CONNECTION</b>				
Standard Connectors	straight connectors			
Optional Connectors	n/a			
<b>DIMENSIONS + WEIGHT</b>				
Dimensions [mm] W x H x L	76,5 x 83,5 x 163			
Weight [g]	780			

Flow values are subject to the standard conditions specified in DIN 1343. The use of other materials may cause deviations in performance values.

The technical data shown on this data sheet represents the typical mean values achieved by the products in our standard testing procedure.

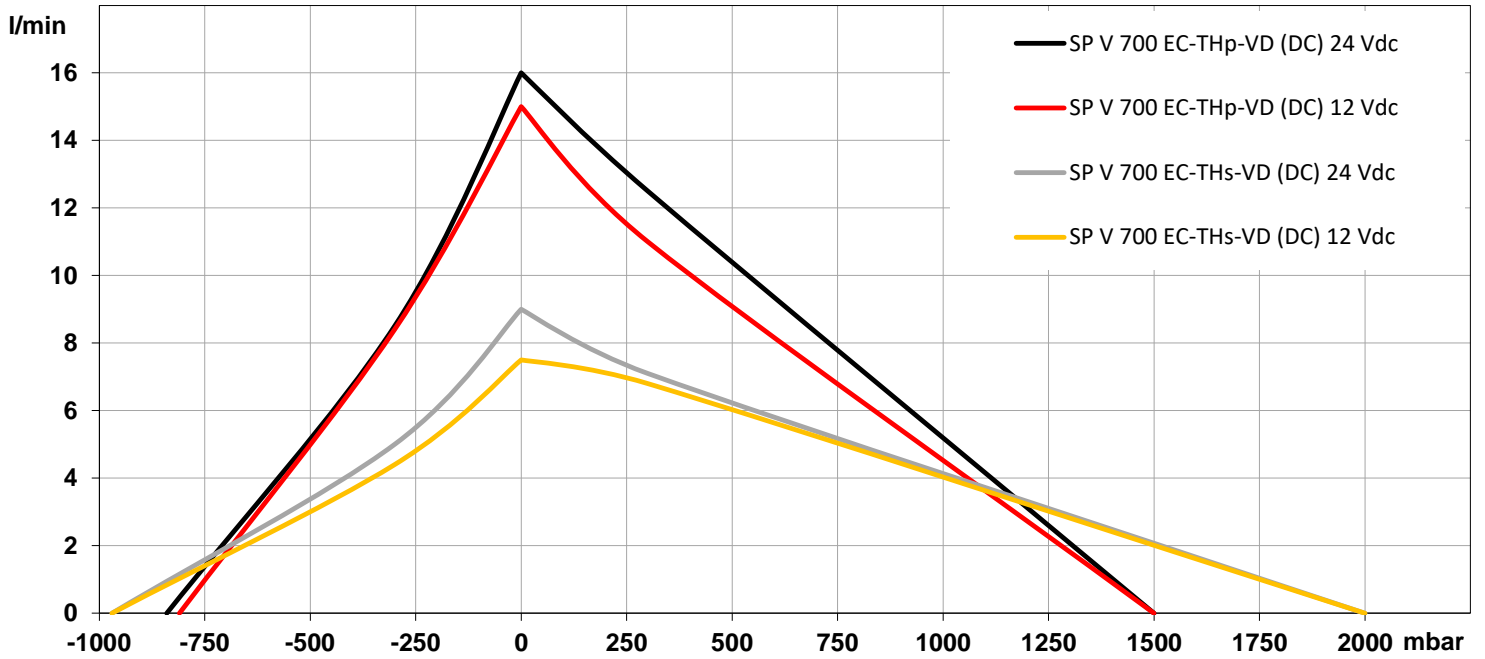
All data provided is for information only and does not represent production values.

Standard products are subject to change without notice.

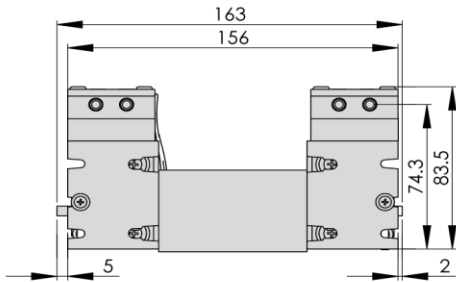
26.05.2021



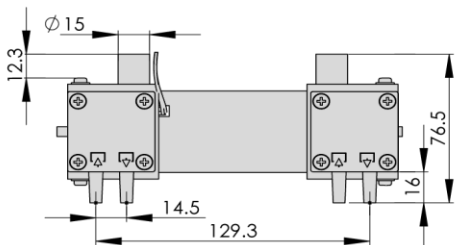
PERFORMANCE DIAGRAM | SP V 700 EC-THp-VD (DC) - SP V 700 EC-THs-VD (DC)



DRAWING | SP V 700 EC-THp-VD (DC) - SP V 700 EC-THs-VD (DC)



Drawing shows standard orientation of pneumatic connectors. (3 alternative orientations possible)



3D CAD Data:

- ▶ Download STEP
- ▶ Download IGES

You can also download the 3D CAD files from the SP website:  
 ▶ [www.schwarzer.com/download](http://www.schwarzer.com/download)

All data provided is for information only and does not represent production values.  
 Standard products are subject to change without notice.

26.05.2021



TYPE	SP V 700 EC-THp-VD (AC)		SP V 700 EC-THs-VD (AC)	
	parallel tubing AC operation		serial tubing AC operation	
Operating Voltage [Vac]	120	230	120	230
Frequency [Hz]	60	50	60	50
Art. No.	7e20012	7e20014	7e20011	7e20013
Power Consumption [W]	71	59	71	59
<b>PERFORMANCE</b>				
max. Flow [l/min]	12	12	6	6
max. Pressure [bar]	1,5	1,5	2,0	2,0
max. Vacuum [mbar]	-810	-810	-945	-945
<b>MOTOR</b>				
Standard Motor	shaded pole			
Standard Bearings	ball bearings			
Motor Connection	soldering lugs / flat connectors			
Optional Motor Types	n/a			
Optional Bearings	n/a			
<b>MATERIALS</b>				
Standard Pump Head	PPS			
Optional Pump Head	PA6			
Standard Diaphragm	FKM			
Optional Diaphragm	EPDM			
Standard Valves	FKM			
Optional Valves	n/a			
Standard Gaskets	FKM			
Optional Gaskets	n/a			
<b>PNEUMATIC CONNECTION</b>				
Standard Connectors	straight connectors			
Optional Connectors	n/a			
<b>DIMENSIONS + WEIGHT</b>				
Dimensions [mm] W x H x L	76,6 x 98,6 x 191,7			
Weight [g]	780			

Flow values are subject to the standard conditions specified in DIN 1343. The use of other materials may cause deviations in performance values.

The technical data shown on this data sheet represents the typical mean values achieved by the products in our standard testing procedure.

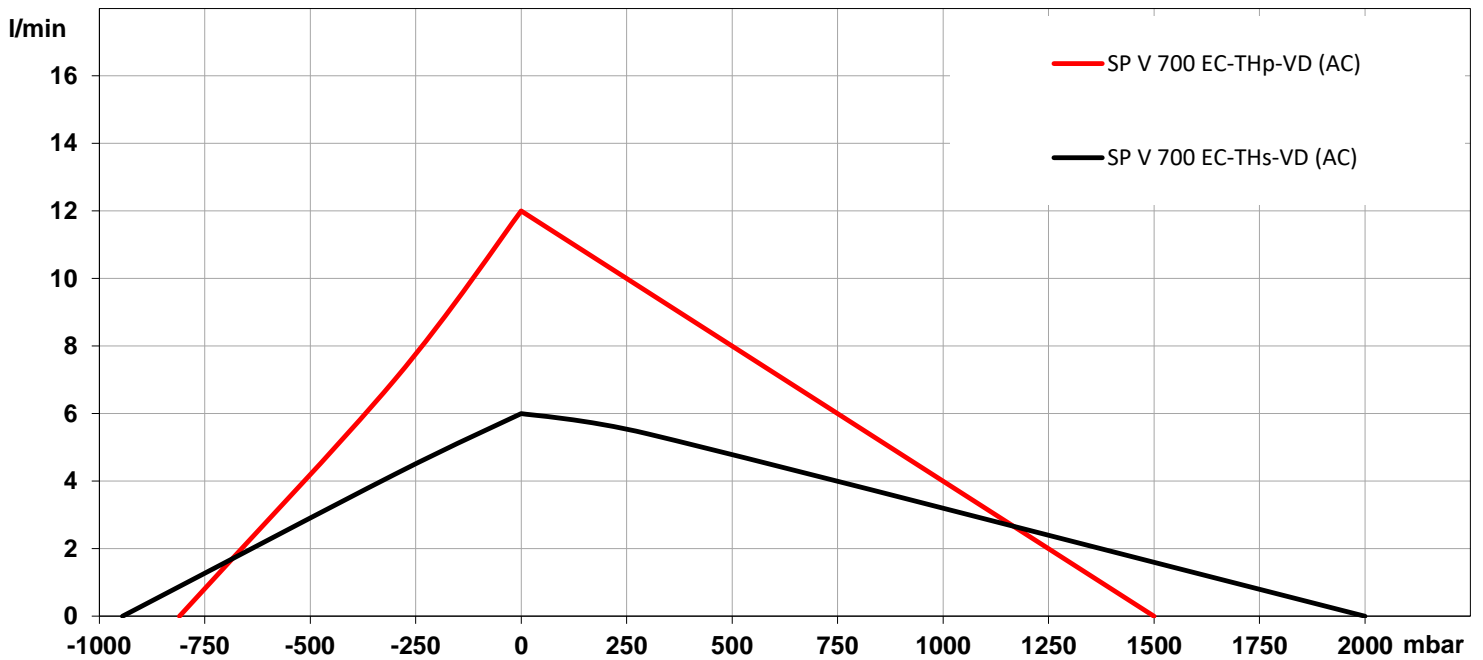
All data provided is for information only and does not represent production values.

Standard products are subject to change without notice.

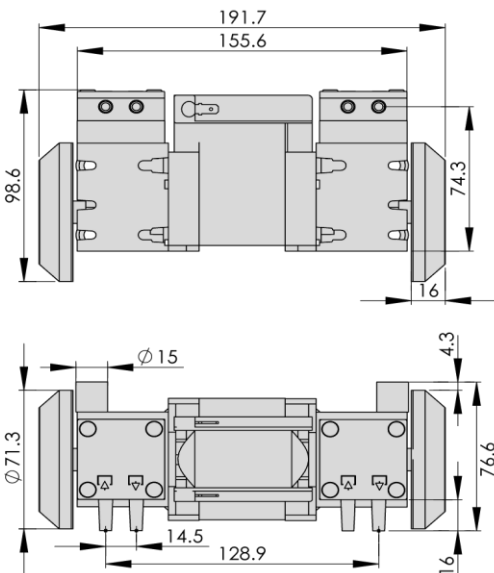
26.05.2021



PERFORMANCE DIAGRAM | SP V 700 EC-THp-VD (AC) - SP V 700 EC-THs-VD (AC)



DRAWING | SP V 700 EC-THp-VD (AC) - SP V 700 EC-THs-VD (AC)



Drawing shows standard orientation of pneumatic connectors.  
(3 alternative orientations possible)

3D CAD Data:

- ▶ Download STEP
- ▶ Download IGES

You can also download the 3D CAD files from the SP website:  
▶ [www.schwarzer.com/download](http://www.schwarzer.com/download)

All data provided is for information only and does not represent production values.  
Standard products are subject to change without notice.

26.05.2021