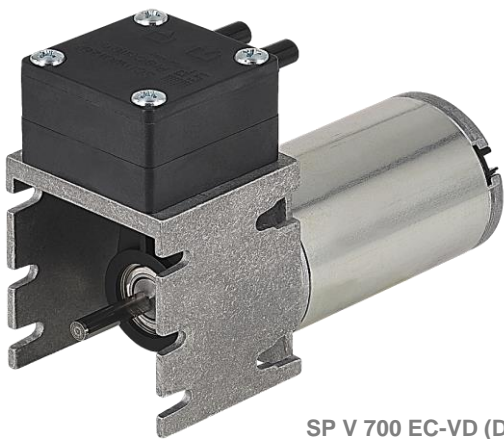




The pumps listed on this data sheet represent a cross-section of the large number of possibilities for each pump type. Based on our modular pump design, all pumps can be customised exactly to meet the needs of your application - within days and at standard pricing. Please contact us for details.



SP V 700 EC-VD (DC)



SP V 700 EC-VD (AC)

Product Features

- High efficiency
- Durable design
- Smallest size and low weight
- Low vibration and sound level
- Suitable for any mounting orientation
- Oil-free, maintenance-free, leak-tight

Typical Applications

- Exhaust and flue gas analysis
- Auto samplers
- Blood pressure monitoring
- Gas analysis
- Anaesthesia monitoring
- Pipetting
- Pressure and vacuum supply



TYPE	SP V 700 EC-VD (DC)		SP V 700 EC-VD (AC)		
Operating Voltage [Vdc]	12	24	-	-	-
Operating Voltage [Vac]	-	-	24	120	230
Frequency [Hz]	-	-	50-60	60	50
Art. No.	7e53005	7e53003	7e53002	7e53001	7e53000
max. Nominal Current [mA]	800	500	-	-	-
Power Consumption [W]	-	-	38	46	37
PERFORMANCE					
max. Flow [l/min]	8,0	8,0	6,0	7,0	6,0
max. Pressure [bar]	1,5	1,5	1,5	1,5	1,5
max. Vacuum [mbar]	-800	-800	-800	-800	-800
MOTOR					
Standard Motor	iron core		shaded pole		
Standard Bearings	ball bearings		ball bearings		
Motor Connection	2 wires		soldering lugs / flat connectors		
Optional Motor	n/a				
Optional Bearings	n/a				
MATERIALS					
Standard Pump Head	PPS				
Optional Pump Head	PA6				
Standard Diaphragm	FKM				
Optional Diaphragm	EPDM				
Standard Valves	FKM				
Optional Valves	n/a				
Standard Gaskets	FKM				
Optional Gaskets	n/a				
PNEUMATIC CONNECTION					
Standard Connectors	straight connectors				
Optional Connectors	n/a				
DIMENSIONS + WEIGHT					
Dimensions [mm] W x H x L	64 x 85 x 117		75,2 x 99 x 140		
Weight [g]	574		1020		

Flow values are subject to the standard conditions specified in DIN 1343. The use of other materials may cause deviations in performance values.

The technical data shown on this data sheet represents the typical mean values achieved by the products in our standard testing procedure.

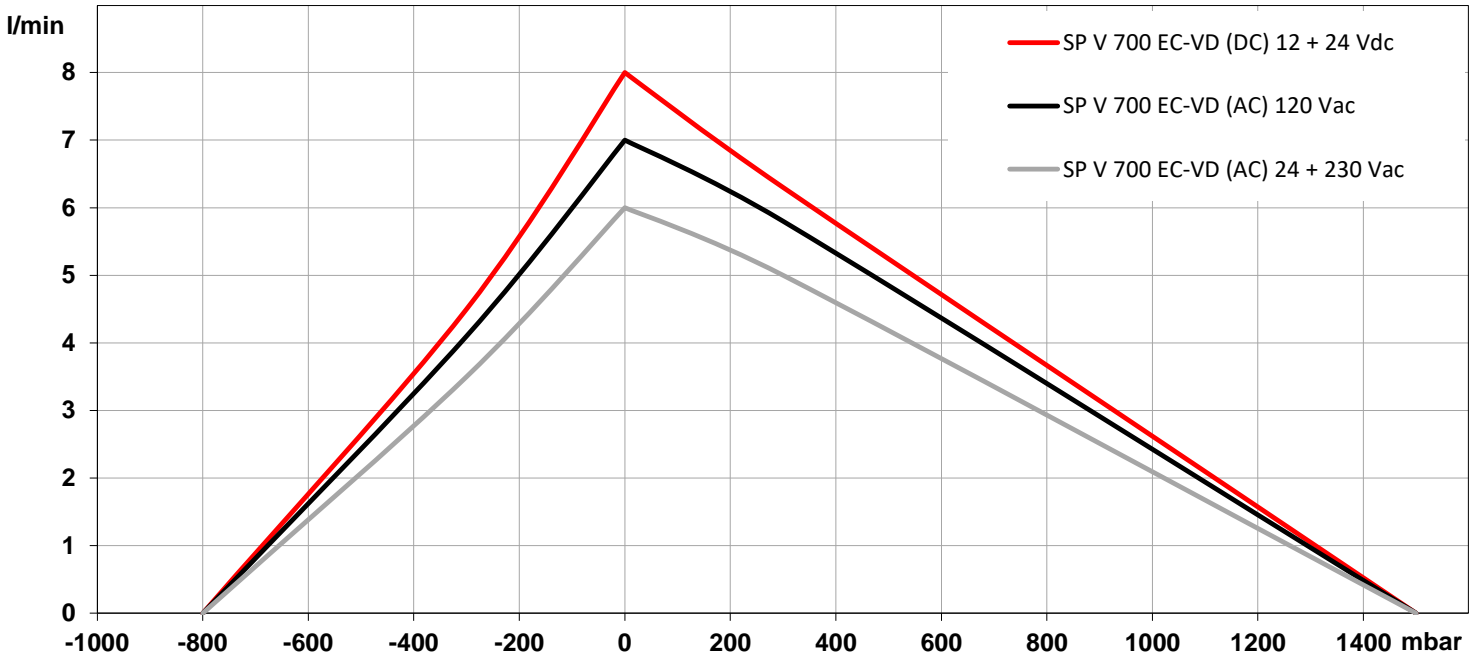
All data provided is for information only and does not represent production values.

Standard products are subject to change without notice.

26.05.2021

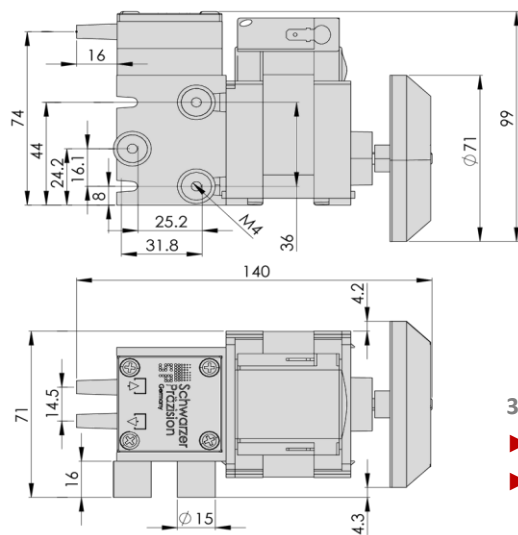
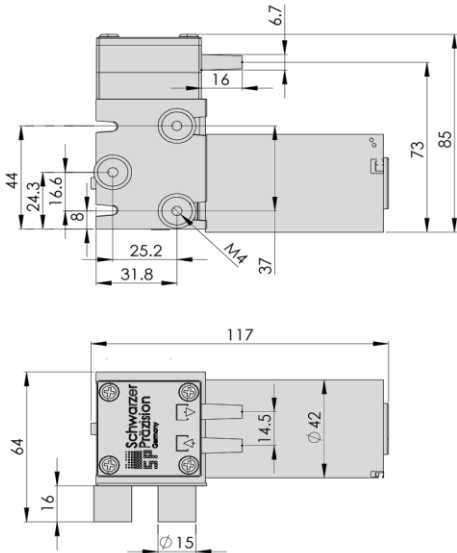


PERFORMANCE DIAGRAM | SP V 700 EC-VD (DC) - SP V 700 EC-VD (AC)



DRAWING | SP V 700 EC-VD (DC)

DRAWING | SP V 700 EC-VD (AC)



3D CAD Data:

- ▶ Download STEP
- ▶ Download IGES

3D CAD Data:

- ▶ Download STEP
- ▶ Download IGES

Drawing shows standard orientation of pneumatic connectors (3 alternative orientations possible).

You can also download the 3D CAD files from the SP website: ▶ www.schwarzer.com/download

All data provided is for information only and does not represent production values.

Standard products are subject to change without notice.

26.05.2021