



The pumps listed on this data sheet represent a cross-section of the large number of possibilities for each pump type. Based on our modular pump design, all pumps can be customised exactly to meet the needs of your application - within days and at standard pricing. Please contact us for details.



SP V 730 EC-EV-VD (DC)



SP V 730 EC-EV-VD (AC)

Product Features

- Vacuum optimised design
- High efficiency and durable design
- Small size and low weight
- Low vibration and sound level
- Suitable for any mounting orientation
- Oil-free, maintenance-free, leak-tight

Typical Applications

- Exhaust and flue gas analysis
- Auto samplers
- Blood pressure monitoring
- Gas analysis
- Anaesthesia monitoring
- Pipetting
- Pressure and vacuum supply



TYPE	SP V 730 EC-EV-VD (DC)		SP V 730 EC-EV-VD (AC)	
Operating Voltage [Vdc]	12	24	-	-
Operating Voltage [Vac]	-	-	120	230
Frequency [Hz]	-	-	60	50
Art. No.	7e53054	7e53055	7e53057	7e53058
max. Nominal Current [mA]	1100	550	-	-
Power Consumption [W]	-	-	88	88
PERFORMANCE				
max. Flow [l/min]	12,0	12,0	10,5	10,5
max. Pressure [bar]	2,0	2,0	2,0	2,0
max. Vacuum [mbar]	-960	-960	-960	-960
MOTOR				
Standard Motor	iron core		shaded pole	
Standard Bearings	ball bearings		ball bearings	
Motor Connection	2 wires		soldering lugs / flat connectors	
Optional Motor	n/a			
Optional Bearings	n/a			
MATERIALS				
Standard Pump Head	PPS			
Optional Pump Head	n/a			
Standard Diaphragm	FKM			
Optional Diaphragm	n/a			
Standard Valves	FKM			
Optional Valves	n/a			
Standard Gaskets	FKM			
Optional Gaskets	n/a			
PNEUMATIC CONNECTION				
Standard Connectors	straight connectors			
Optional Connectors	n/a			
DIMENSIONS + WEIGHT				
Dimensions [mm] W x H x L	66,5 x 90 x 150,2		76,5 x 114,8 x 195	
Weight [g]	800		1760	

Flow values are subject to the standard conditions specified in DIN 1343. The use of other materials may cause deviations in performance values.

The technical data shown on this data sheet represents the typical mean values achieved by the products in our standard testing procedure.

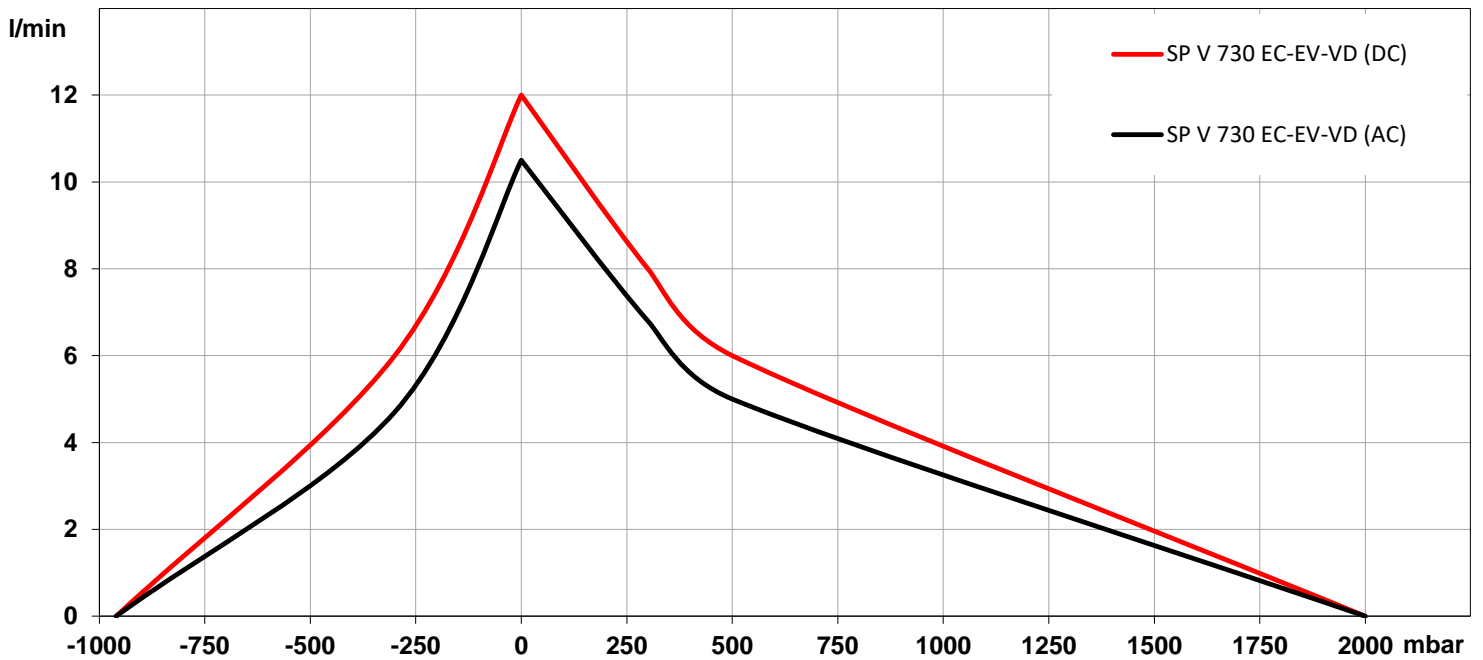
All data provided is for information only and does not represent production values.

Standard products are subject to change without notice.

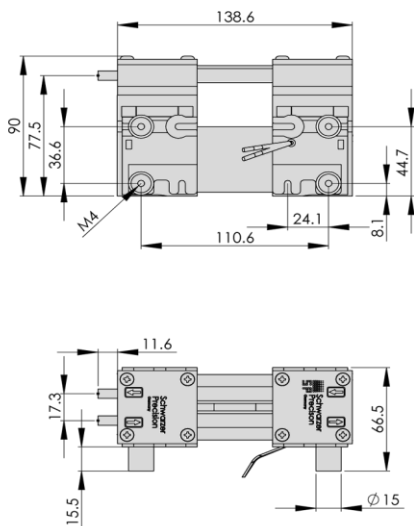


SP V 730 EC Evolution Head

PERFORMANCE DIAGRAM | SP V 730 EC-EV-VD



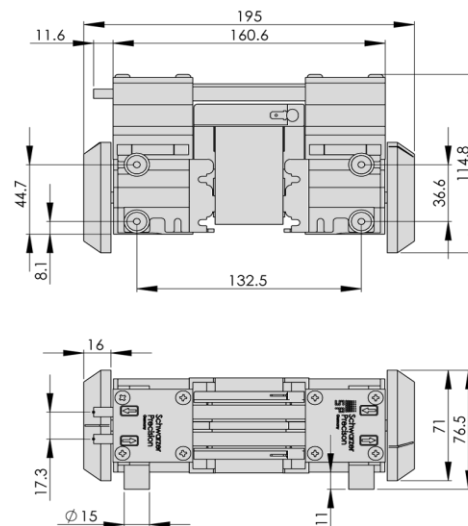
DRAWING | SP V 730 EC-EV-VD (DC)



3D CAD Data:

- ▶ Download STEP
- ▶ Download IGES

DRAWING | SP V 730 EC-EV-VD (AC)



3D CAD Data:

- ▶ Download STEP
- ▶ Download IGES

Drawing shows standard orientation of pneumatic connectors (3 alternative orientations possible).

You can also download the 3D CAD files from the SP website: ▶ www.schwarzer.com/download

All data provided is for information only and does not represent production values.

Standard products are subject to change without notice.

26.05.2021