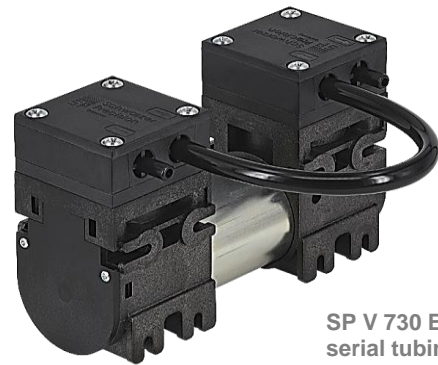




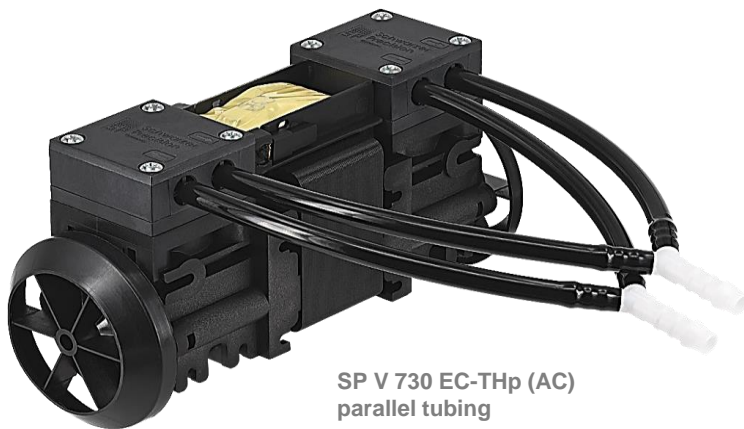
The pumps listed on this data sheet represent a cross-section of the large number of possibilities for each pump type. Based on our modular pump design, all pumps can be customised exactly to meet the needs of your application - within days and at standard pricing. Please contact us for details.



SP V 730 EC-THp (DC)
parallel tubing



SP V 730 EC-THs (DC)
serial tubing



SP V 730 EC-THp (AC)
parallel tubing



SP V 730 EC-THs (AC)
serial tubing

Product Features

- Vacuum or pressure optimised design
- High efficiency and durable design
- Small size and low weight
- Low vibration and sound level
- Suitable for any mounting orientation
- Oil-free, maintenance-free, leak-tight

Typical Applications

- Exhaust and flue gas analysis
- Auto samplers
- Blood pressure monitoring
- Gas analysis
- Anaesthesia monitoring
- Pipetting
- Pressure and vacuum supply



TYPE	SP V 730 EC-THp-VD (DC)		SP V 730 EC-THs-VD (DC)	
	parallel tubing DC operation		serial tubing DC operation	
Operating Voltage [Vdc]	12	24	12	24
Art. No.	7e20016	7e20018	7e20015	7e20017
max. Nominal Current [mA]	1000	600	1000	600
PERFORMANCE				
max. Flow [l/min]	14,5	15,5	7,0	7,5
max. Pressure [bar]	1,3	1,3	2,0	2,0
max. Vacuum [mbar]	-867	-867	-950	-950
MOTOR				
Standard Motor	iron core			
Standard Bearings	ball bearings			
Motor Connection	2 wires			
Optional Motor	n/a			
Optional Bearings	n/a			
MATERIALS				
Standard Pump Head	PPS			
Optional Pump Head	n/a			
Standard Diaphragm	FKM			
Optional Diaphragm	n/a			
Standard Valves	FKM			
Optional Valves	n/a			
Standard Gaskets	FKM			
Optional Gaskets	n/a			
PNEUMATIC CONNECTION				
Standard Connectors	straight connectors			
Optional Connectors	n/a			
DIMENSIONS + WEIGHT				
Dimensions [mm] W x H x L	77,1 x 90 x 138,5			
Weight [g]	760			

Flow values are subject to the standard conditions specified in DIN 1343. The use of other materials may cause deviations in performance values.

The technical data shown on this data sheet represents the typical mean values achieved by the products in our standard testing procedure.

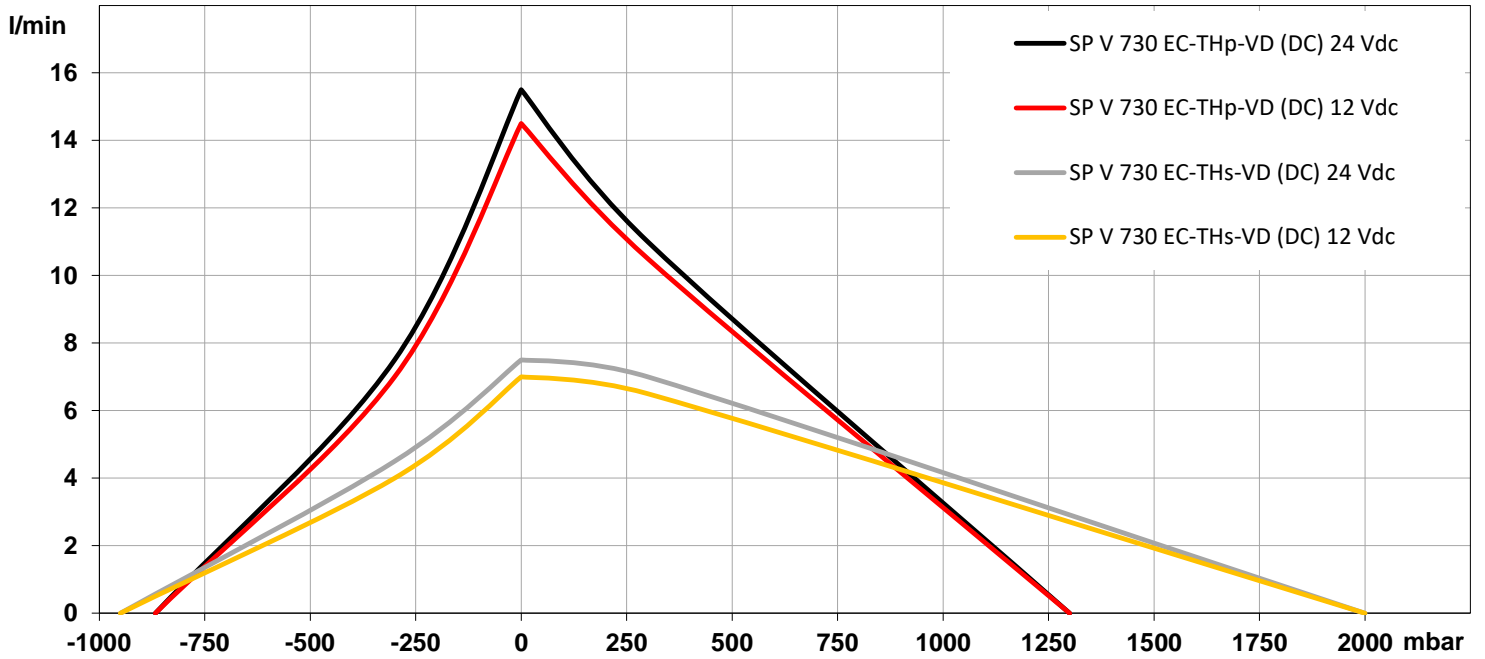
All data provided is for information only and does not represent production values.

Standard products are subject to change without notice.

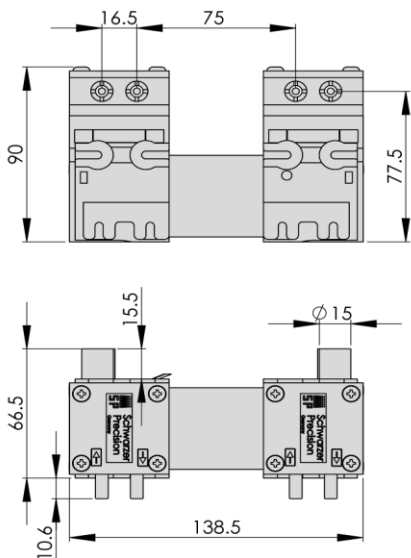
26.05.2021



PERFORMANCE DIAGRAM | SP V 730 EC-THp-VD (DC) - SP V 730 EC-THs-VD (DC)



DRAWING | SP V 730 EC-THp-VD (DC) - SP V 730 EC-THs-VD (DC)



Drawing shows standard orientation of pneumatic connectors. (3 alternative orientations possible)

3D CAD Data:

- ▶ Download STEP
- ▶ Download IGES

You can also download the 3D CAD files from the SP website:
 ▶ www.schwarzer.com/download

All data provided is for information only and does not represent production values.
 Standard products are subject to change without notice.

26.05.2021



TYPE	SP V 730 EC-THp-VD (AC)		SP V 730 EC-THs-VD (AC)	
	parallel tubing AC operation		serial tubing AC operation	
Operating Voltage [Vdc]	120	230	120	230
Frequency [Hz]	60	50	60	50
Art. No.	7e20022	7e20024	7e20021	7e20023
Power Consumption [W]	88	88	88	88
PERFORMANCE				
max. Flow [l/min]	13	13	6,5	6,5
max. Pressure [bar]	1,2	1,2	2,0	2,0
max. Vacuum [mbar]	-867	-867	-960	-960
MOTOR				
Standard Motor	shaded pole			
Standard Bearings	ball bearings			
Motor Connection	soldering lugs / flat connectors			
Optional Motor Types	n/a			
Optional Bearings	n/a			
MATERIALS				
Standard Pump Head	PPS			
Optional Pump Head	n/a			
Standard Diaphragm	FKM			
Optional Diaphragm	n/a			
Standard Valves	FKM			
Optional Valves	n/a			
Standard Gaskets	FKM			
Optional Gaskets	n/a			
PNEUMATIC CONNECTION				
Standard Connectors	straight connectors			
Optional Connectors	n/a			
DIMENSIONS + WEIGHT				
Dimensions [mm] W x H x L	77 x 100 x 195,6			
Weight [g]	1640			

Flow values are subject to the standard conditions specified in DIN 1343. The use of other materials may cause deviations in performance values.

The technical data shown on this data sheet represents the typical mean values achieved by the products in our standard testing procedure.

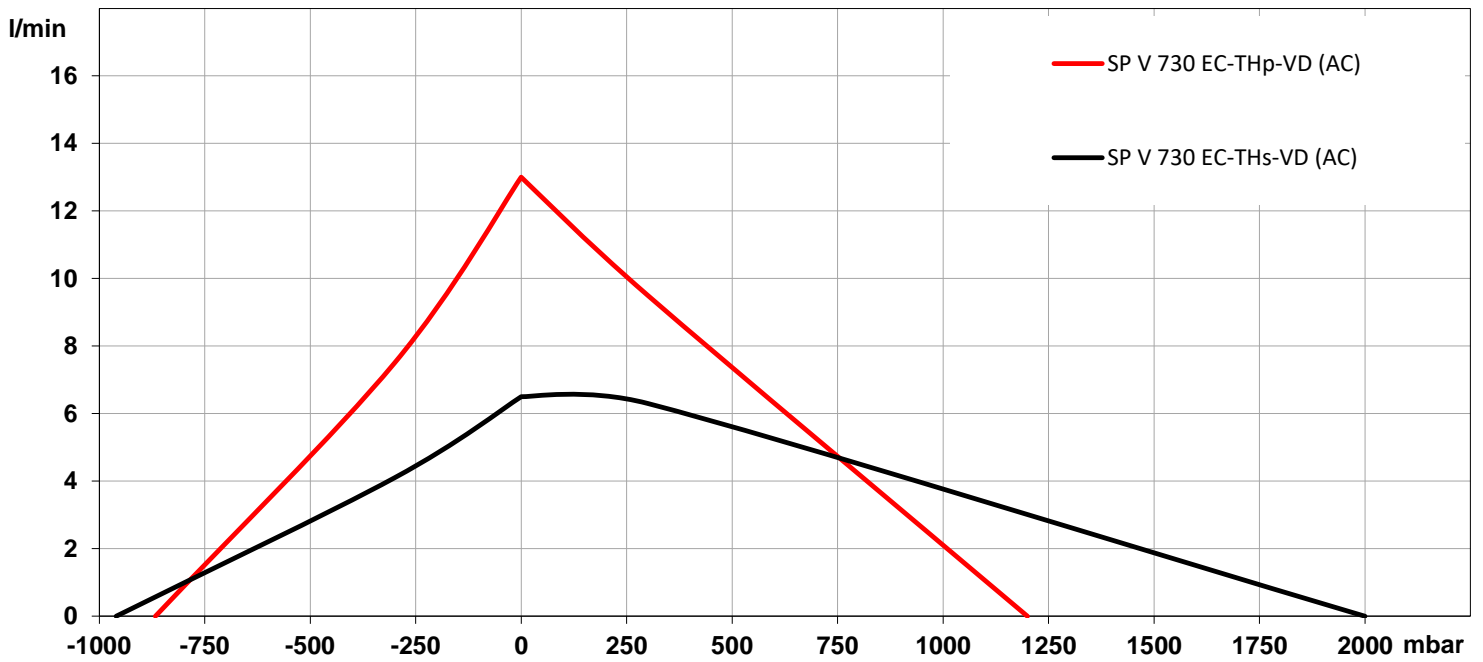
All data provided is for information only and does not represent production values.

Standard products are subject to change without notice.

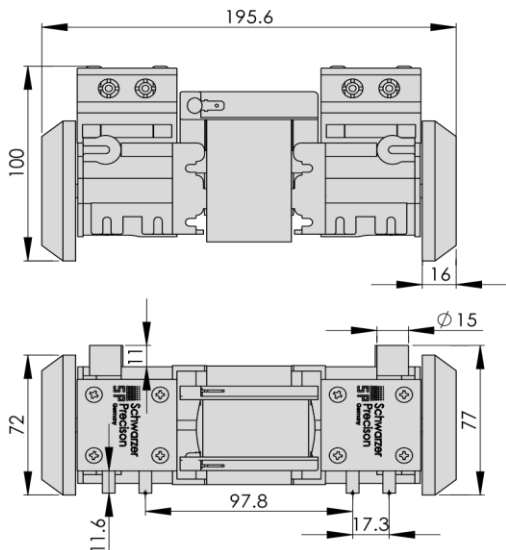
26.05.2021



PERFORMANCE DIAGRAM | SP V 730 EC-THp-VD (AC) - SP V 730 EC-THs-VD (AC)



DRAWING | SP V 730 EC-THp-VD (AC) - SP V 730 EC-THs-VD (AC)



Drawing shows standard orientation of pneumatic connectors. (3 alternative orientations possible)

3D CAD Data:

- ▶ Download STEP
- ▶ Download IGES

You can also download the 3D CAD files from the SP website:
 ▶ www.schwarzer.com/download

All data provided is for information only and does not represent production values.
 Standard products are subject to change without notice.

26.05.2021