



The pumps listed on this data sheet represent a cross-section of the large number of possibilities for each pump type. Based on our modular pump design, all pumps can be customised exactly to meet the needs of your application - within days and at standard pricing. Please contact us for details.



SP V 730 EC-VD (DC)  
DC motor



SP V 730 EC-VD (AC)  
AC motor



SP V 730 EC-BL-VD  
brushless motor

## Product Features

- High efficiency
- Durable design
- Smallest size and low weight
- Low vibration and sound level
- Suitable for any mounting orientation
- Oil-free, maintenance-free, leak-tight

## Typical Applications

- Exhaust and flue gas analysis
- Auto samplers
- Blood pressure monitoring
- Gas analysis
- Anaesthesia monitoring
- Pipetting
- Pressure and vacuum supply



TYPE	SP V 730 EC-VD (DC)		SP V 730 EC-VD (AC)		SP V 730 EC-BL-VD	
Operating Voltage [Vdc]	12	24	-	-	12	24
Operating Voltage [Vac]	-	-	120	230	-	-
Frequency [Hz]	-	-	60	50	-	-
Art. No.	7e53044	7e53045	7e53047	7e53048	7e53028	7e53029
max. Nominal Current [mA]	700	400	-	-	600	400
Power Consumption [W]	-	-	66	66	-	-
<b>PERFORMANCE</b>						
max. Flow [l/min]	8,5	8,5	6,5	6,5	7,0	7,0
max. Pressure [bar]	1,2	1,2	1,2	1,2	1,2	1,2
max. Vacuum [mbar]	-867	-867	-867	-867	-867	-867
<b>MOTOR</b>						
Standard Motor	iron core		shaded pole		brushless for analogue control	
Standard Bearings	ball bearings		ball bearings		ball bearings	
Motor Connection	2 wires		soldering lugs / flat connectors		2 wires	
Optional Motor	n/a		n/a		n/a	
Optional Bearings	n/a		n/a		n/a	
<b>MATERIALS</b>						
Standard Pump Head	PPS					
Optional Pump Head	n/a					
Standard Diaphragm	FKM					
Optional Diaphragm	n/a					
Standard Valves	FKM					
Optional Valves	n/a					
Standard Gaskets	FKM					
Optional Gaskets	n/a					
<b>PNEUMATIC CONNECTION</b>						
Standard Connectors	straight connectors					
Optional Connectors	n/a					
<b>DIMENSIONS + WEIGHT</b>						
Dimensions [mm] W x H x L	66,5 x 90 x 105		76,9 x 102 x 147,1		68,1 x 91 x 90	
Weight [g]	580		960		460	

Flow values are subject to the standard conditions specified in DIN 1343. The use of other materials may cause deviations in performance values.

The technical data shown on this data sheet represents the typical mean values achieved by the products in our standard testing procedure.

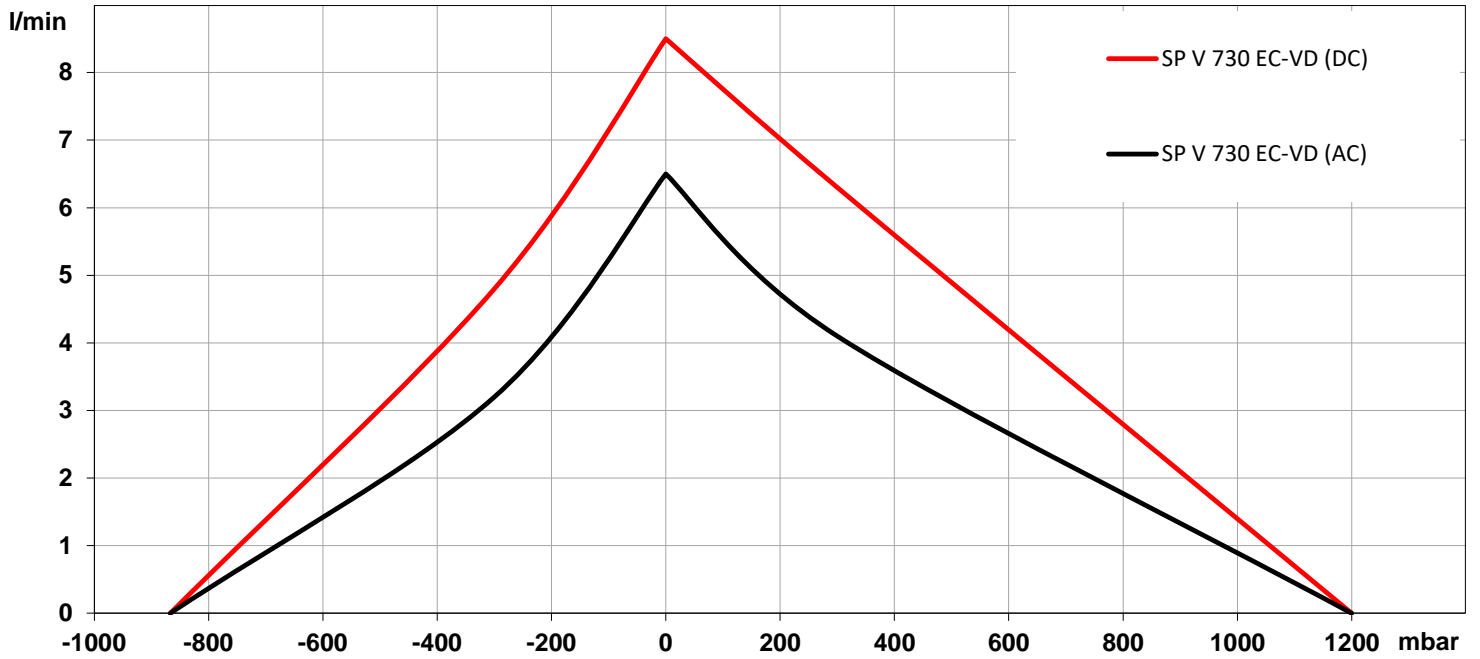
All data provided is for information only and does not represent production values.

Standard products are subject to change without notice.

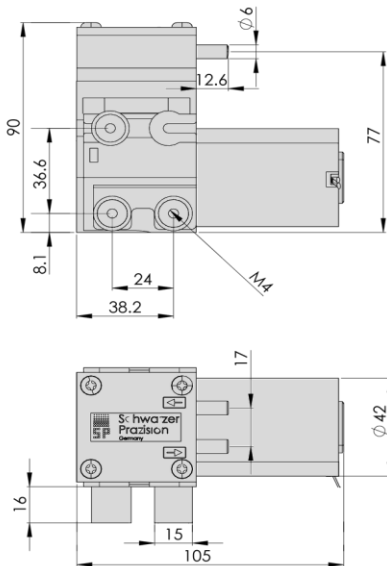
26.05.2021



PERFORMANCE DIAGRAM | SP V 730 EC-VD (DC) - SP V 730 EC-VD (AC)



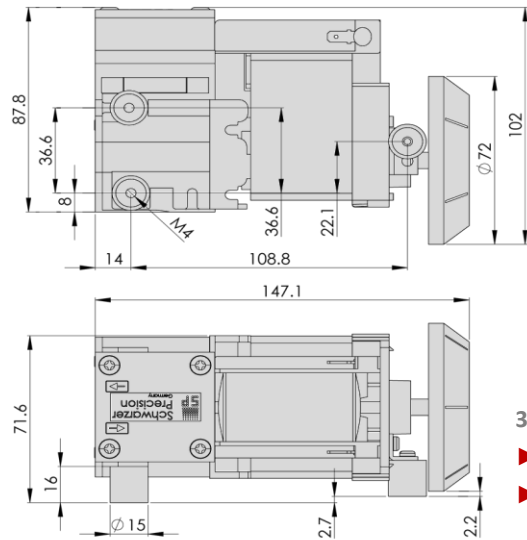
DRAWING | SP V 730 EC-VD (DC)



3D CAD Data:

- ▶ Download STEP
- ▶ Download IGES

DRAWING | SP V 730 EC-VD (AC)



3D CAD Data:

- ▶ Download STEP
- ▶ Download IGES

Drawing shows standard orientation of pneumatic connectors (3 alternative orientations possible).

You can also download the 3D CAD files from the SP website:

▶ [www.schwarzer.com/download](http://www.schwarzer.com/download)

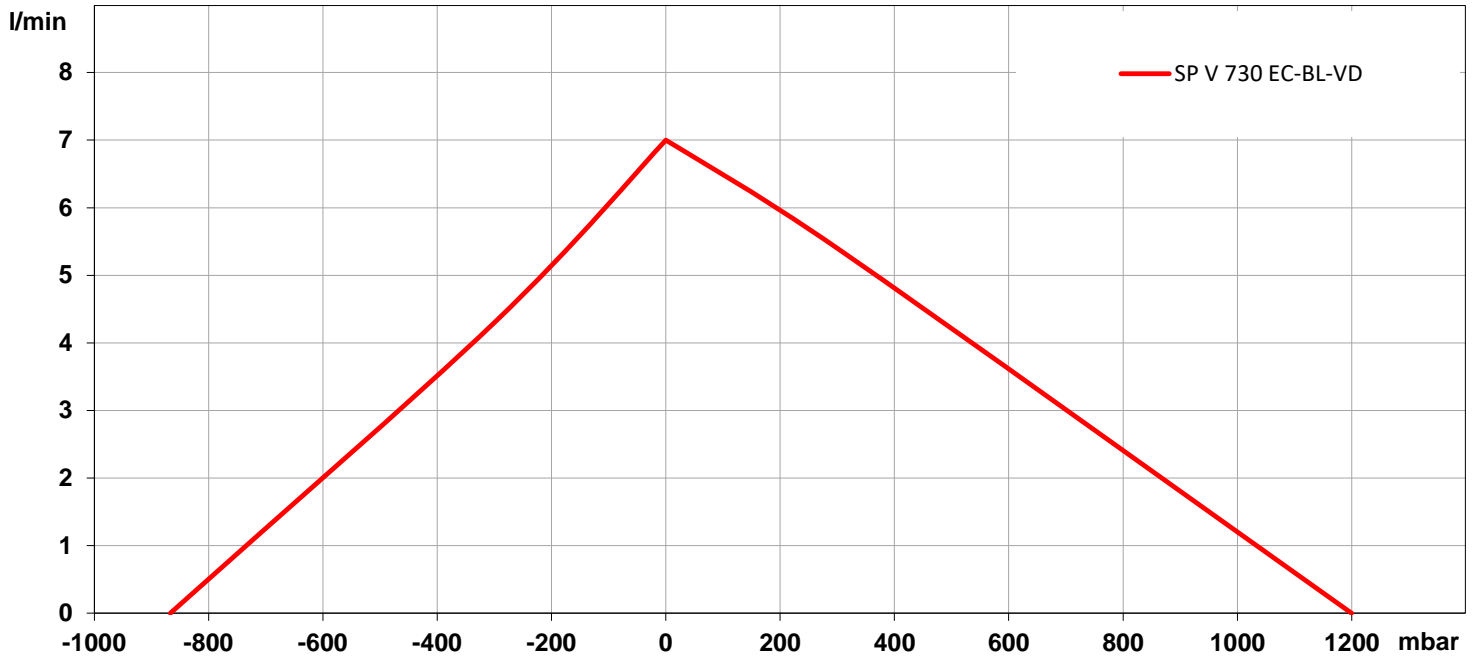
All data provided is for information only and does not represent production values.

Standard products are subject to change without notice.

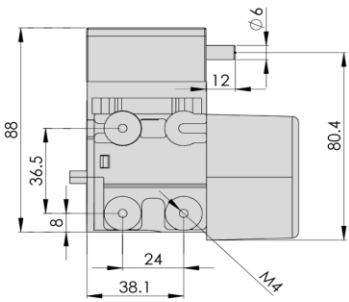
26.05.2021



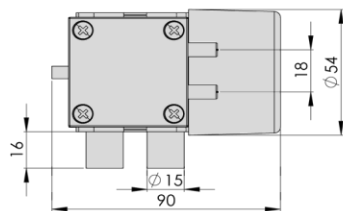
PERFORMANCE DIAGRAM | SP V 730 EC-BL-VD



DRAWING | SP V 730 EC-BL-VD



Drawing shows standard orientation of pneumatic connectors.  
(3 alternative orientations possible)



3D CAD Data:

- ▶ Download STEP
- ▶ Download IGES

You can also download the 3D CAD files from the SP website:  
▶ [www.schwarzer.com/download](http://www.schwarzer.com/download)

All data provided is for information only and does not represent production values.  
Standard products are subject to change without notice.

26.05.2021