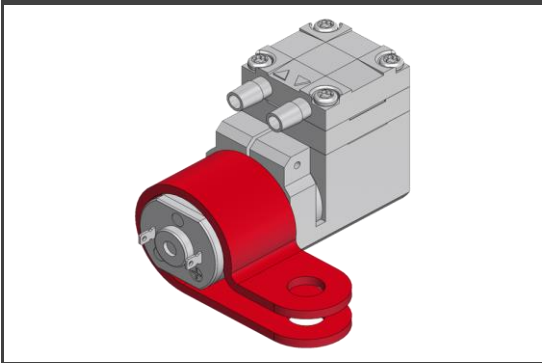


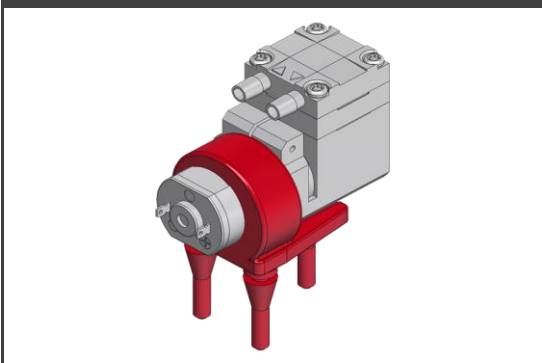
Mountings

Mounting Bracket \varnothing 11 mm

For screw mounting

Art. No.: 5.58.00
Suitable for: SP 100 EC

Material: PA66
Motor diameter: \varnothing 12 mm
Mounting holes: \varnothing 4 mm

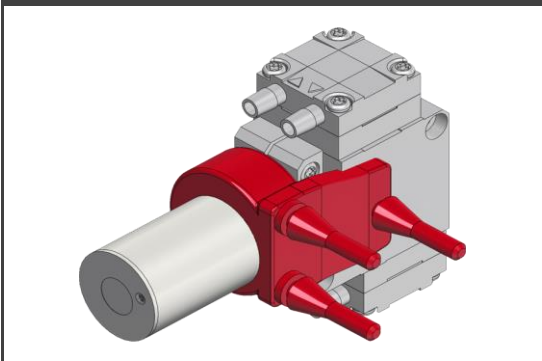
Rubber Mounting \varnothing 11,8 mm

For boards

Art. No.: 5.22.18
Suitable for: SP 100 EC, SP 100 EC-LC, SP 100 EC-BLp

Material: TPE
Motor diameter: \varnothing 12 mm
Mounting holes: \varnothing 3,3 mm

Comment: Vibration absorbing mounting, e.g. on circuit boards or metal sheets

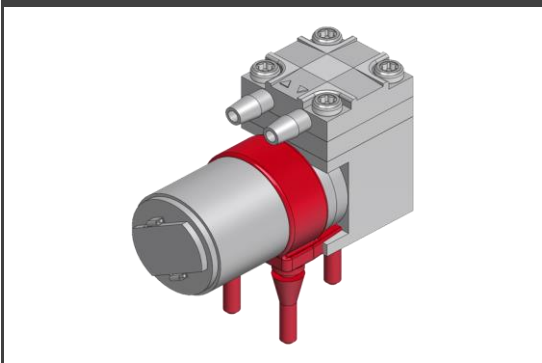
Rubber Mounting \varnothing 11,8 mm

For boards

Art. No.: 5.22.17
Suitable for: SP 100 EC-DUp/-DU

Material: TPE
Motor diameter: \varnothing 12 mm
Mounting holes: \varnothing 3,3 mm

Comment: Vibration absorbing mounting, e.g. on circuit boards or metal sheets

Rubber Mounting \varnothing 14 mm

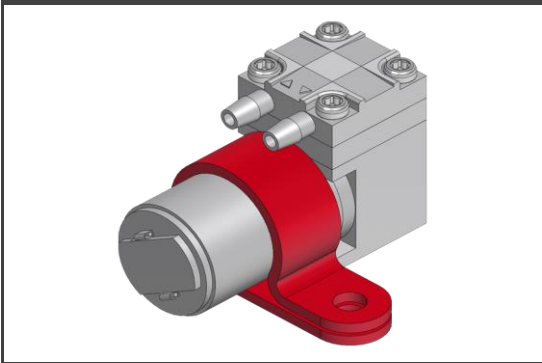
For boards

Art. No.: 5.22.16
Suitable for: SP 270 EC(-L), SP 270 EC-LC(-L), SP 270 EC-BL(-L), FZ

Material: TPE
Motor diameter: \varnothing 15 - 17 mm
Mounting holes: \varnothing 3,3 mm

Comment: Vibration absorbing mounting, e.g. on circuit boards or metal sheets

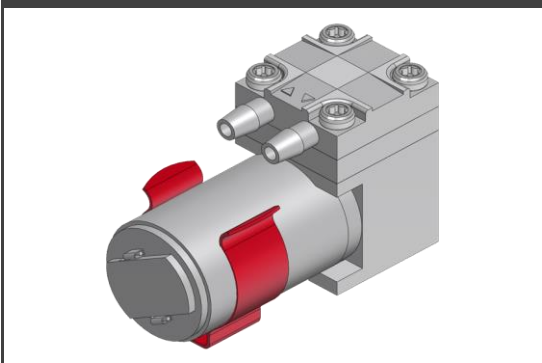
Mountings

Mounting Bracket \varnothing 16 mm

For screw mounting

Art. No.: 5.58.01
Suitable for: SP 270 EC(-L)

Material: PA66
Motor diameter: \varnothing 16 mm
Mounting holes: \varnothing 4 mm

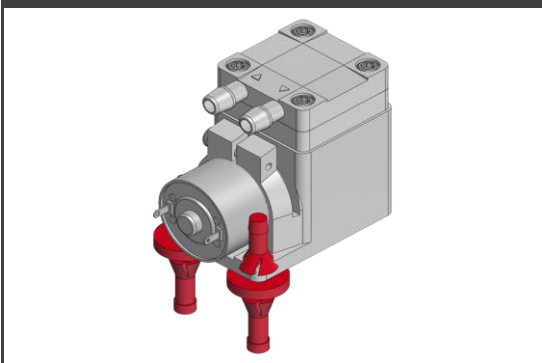
Mounting Bracket \varnothing 16 mm

For screw mounting

Art. No.: 5.58.14
Suitable for: SP 270 EC(-L), SP 270 EC-LC(-L)

Material: Galvanized steel
Motor diameter: \varnothing 16 mm
Mounting holes: \varnothing 3,8 mm

Rubber Shock Mounts

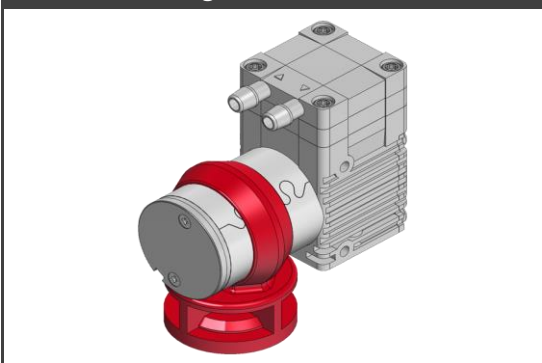


For boards

Art. No.: 5.22.21
Suitable for: SP 550 EC(-LP), SP 500 EC-LC(-LP), SP 550 EC-BL

Material: TPE
Mounting holes: \varnothing 4 mm

Comment: Not sold separately, only available with pump
2 pieces per pump necessary

Rubber Mounting \varnothing 18 mm

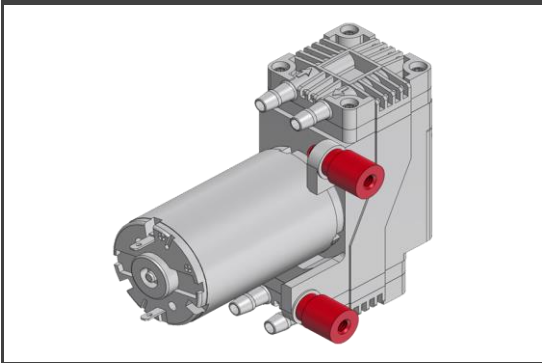
With M4 mounting thread

Art. No.: 6.22.16
Suitable for: SP 570 EC(-L), SP 570 EC-LC(-L), SP 570 EC-BL(-L)

Material: TPE
Motor diameter: \varnothing 20 - 24 mm
Mounting thread: M4

Mountings

Rubber-Metal Buffer



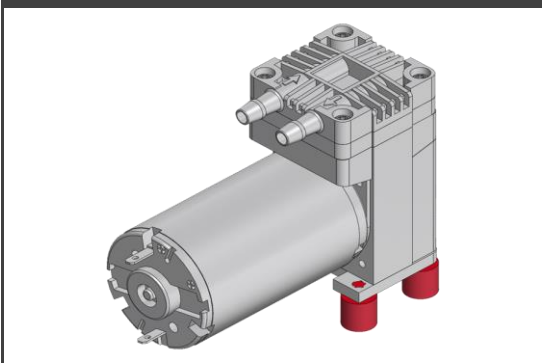
With M4 mounting thread

Art. No.: 5.22.06
 Suitable for: All types of SP 6xx EC, except SP 620 EC-BL-DUp/-DU(-L)

Material: Metal / elastomer
 Mounting thread: M4

Comment: Not sold separately, only available with pump
 2 pieces per pump necessary

Rubber-Metal Buffer

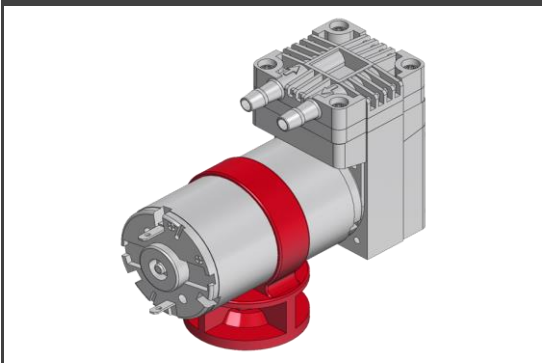


With M3 mounting thread

Art. No.: 5.22.14
 Suitable for: All types of SP 6xx EC (with 1 head) and
 SP 620 EC-BL-DUp/-DU(-L)

Material: Metal / elastomer
 Mounting thread: M3

Comment: Not sold separately, only available with pump
 4 pieces per pump necessary

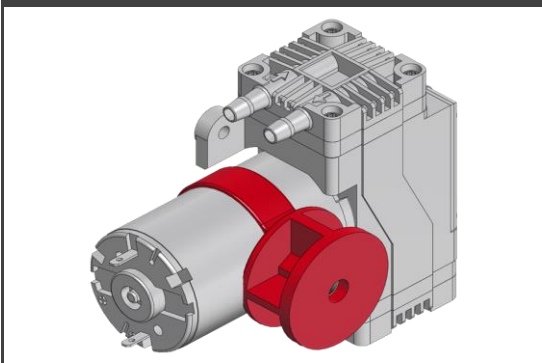
Rubber Mounting \varnothing 29 mm

For inserting M6 nuts

Art. No.: 5.22.15
 Suitable for: All types of SP 6xx EC, except SP 620 EC-THp/-THs and
 SP 620 EC-BL

Material: TPE
 Motor diameter: \varnothing 31 mm
 Mounting holes: \varnothing 6,5 mm

Comment: M6 screw or nut required for mounting (AF 10 mm)

Rubber Mounting \varnothing 29 mm

With M4 mounting thread

Art. No.: 6.22.15
 Suitable for: All types of SP 6xx EC except SP 620 EC-THp/-THs and
 SP 620 EC-BL

Material: TPE
 Motor diameter: \varnothing 31 mm
 Mounting holes: \varnothing 4,5 mm

Comment: Screw for internal thread M4 not included

Silencers

Silencer with Connectors



For tube connection

Art. No.: 6.16.31
 Suitable for: All types of SP 100 EC, SP 270 EC, SP 500 EC-LC, SP 550 EC, FZ and RO

Medium: Gas
 Material housing: PA6
 Total length: 57 mm
 Housing diameter: \varnothing 20 mm
 Connector diameter: \varnothing 3,4 mm

Slip-on Silencer



For pump connector assembly

Art. No.: 6.16.34
 Suitable for: All types of SP 5xx EC und SP 6xx EC

Medium: Gas
 Material housing: PA6
 Total length: 42 mm
 Housing diameter: \varnothing 20 mm
 Connector diameter: \varnothing 4,3 mm

Inline Silencer



For tube connection

Art. No.: 5.60.30
 Suitable for: All types of SP 7xx EC, SP 6xx EC, LI und SA

Medium: Gas
 Material housing: PS
 Total length: 80 mm
 Housing diameter: \varnothing 33 mm
 Connector diameter: \varnothing 7,6 mm

Sinter Silencer



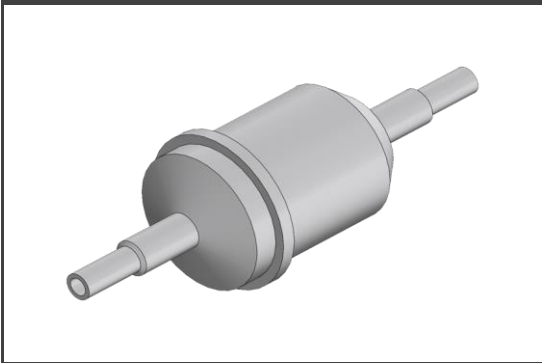
For mounting on pump, M5 thread

Art. No.: 5.60.33
 Suitable for: SP 924 PA-D, SP 930 PA-D, SP 950 PA-D, SP 980 PA-D

Medium: Gas
 Material housing: Sintered brass
 Total length: 21 mm
 Housing diameter: \varnothing 8.5 mm

Intake Filters ▪ Valves

Paper Inlet Filter

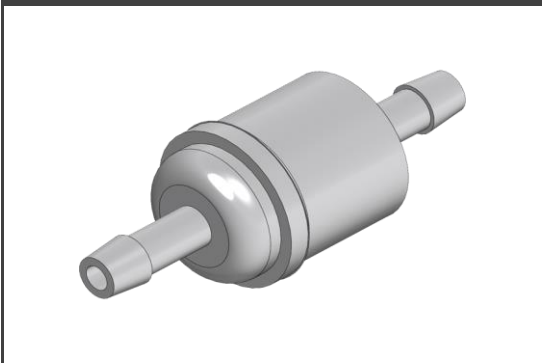


For tubes with 6 - 8 mm inner diameter

Art. No.: 5.60.14
Medium: Gas and Liquids

Material housing: PA 6
Material filter: Paper
Total length: 104 mm
Housing diameter: Ø 35 mm

Synthetic Fibre Filter



For tubes with 5 - 6 mm inner diameter

Art. No.: 6.16.05
Medium: Gas and Liquids

Material housing: PA 6
Material filter: PA 66
Filter mesh size: 53 µm
Total length: 51,5 mm
Housing diameter: Ø 18 mm

Foam Intake Filter

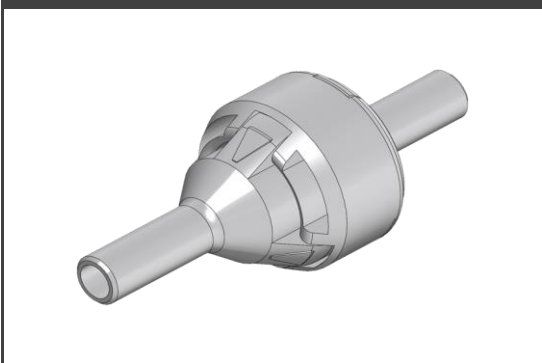


For tubes with 5 - 6 mm inner diameter

Art. No.: 6.16.19
Medium: Gas

Material housing: ABS
Material filter: PPI50
Total length: 26,5 mm
Housing diameter: Ø 18 mm

Non Return Valve



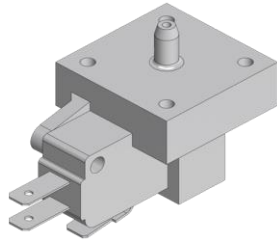
For tubes with 5 - 6 mm inner diameter

Art. No.: 6.10.00
Medium: Gas

Material housing: PA6
Elastomers: NBR / EPDM
Total length: 52 mm
Housing diameter: Ø 21 mm
Opening pressure: 60 mbar

Pressure Switches ■ Electronics

Diaphragm Pressure Switch 35 mbar



For tubes with 4 mm inner diameter

Art. No.: 5.54.01

Type: With integrated microswitch

Switching point: 35 mbar

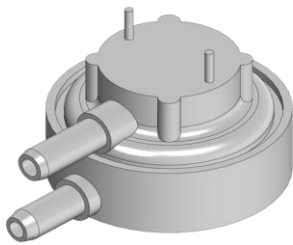
Tripping point: 15 mbar

Function: Switch (1 contact open, 1 contact closed)

Rating: 250 Vac / 250 mA

Dimensions: 26 x 46 x 33 mm

Diaphragm Pressure Switch 25 mbar



For tubes with 4 mm inner diameter

Art. No.: 5.54.10

Material: PA66 and PBT

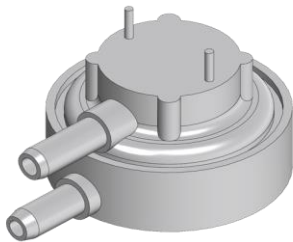
Function: Switch (basic position = open contact)

Rating: 250 Vac / 250 mA

Dimensions: Ø 27 mm x 16 mm

Connector length: 10 mm

Diaphragm Pressure Switch 40 mbar



For tubes with 4 mm inner diameter

Art. No.: 5.54.13

Material: PA66 und PBT

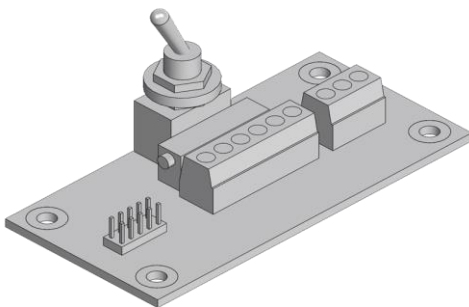
Function: switch (basic position = open contact)

Rating: 250 Vac / 250 mA

Dimensions: Ø 27 mm x 16 mm

Connector length: 10 mm

Brushless Motor Control Board



Test board for analogue control

Art. No.: 5.55.18

Suitable for: Pumps with brushless motors and separated control input

Manual control: Conveniently via a potentiometer

Dimensions: 68 x 33 mm