



The pumps listed on this data sheet represent a cross-section of the large number of possibilities for each pump type. Based on our modular pump design, all pumps can be customised exactly to meet the needs of your application - within days and at standard pricing. Please contact us for details.



SP 110 EC-THs
serial tubing

PRODUCT FEATURES

- High efficiency for mobile devices
- Durable design
- Smallest size and low weight
- Low vibration and sound level
- Suitable for any mounting orientation
- Oil-free, maintenance-free, leak-tight

TYPICAL APPLICATIONS

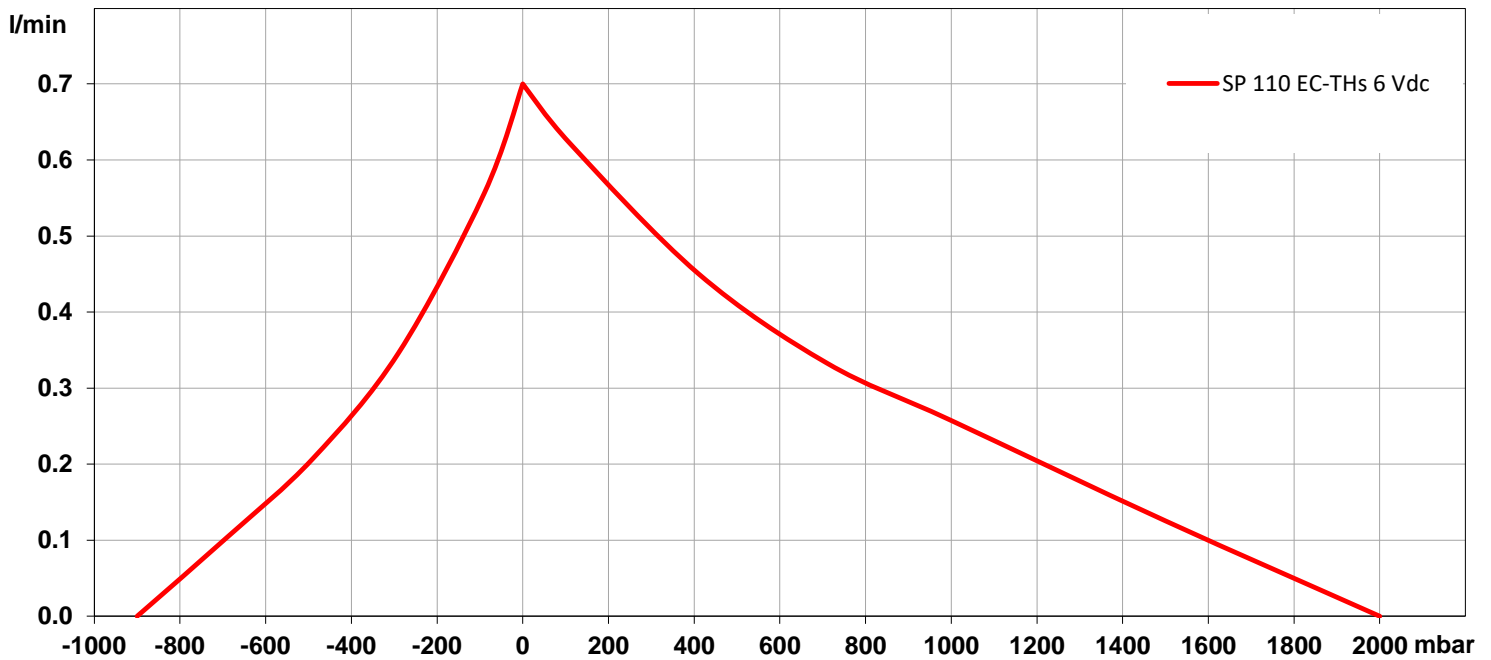
- Vacuum biopsy
- Point of care
- Lab on a chip
- Pick and place
- Air sampling
- Negative pressure wound therapy



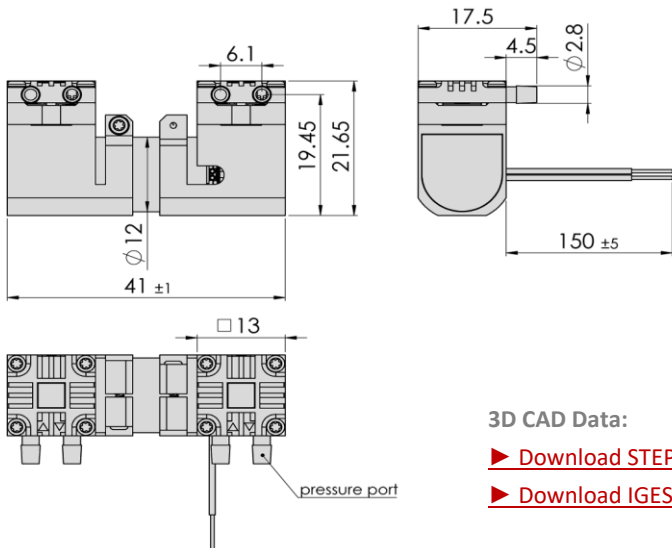
TYPE	SP 110 EC-THs
Operating Voltage [Vdc]	6
Art. No.	7s20424
max. Nominal Current [mA]	200
PERFORMANCE	
max. Flow [l/min]	0.7
max. Pressure [bar]	2.0
max. Vacuum [mbar]	-900
MOTOR	
Standard Motor	coreless
Standard Bearings	ball bearings
Motor Connection	2 wires
Optional Motor	n/a
Optional Bearings	n/a
MATERIALS	
Standard Pump Head	PPS
Optional Pump Head	customer specific (upon request)
Standard Diaphragm	EPDM
Optional Diaphragm	FKM
Standard Valves	EPDM
Optional Valves	FKM
Standard Gaskets	EPDM
Optional Gaskets	FKM
PNEUMATIC CONNECTION	
Standard Connectors	barbed connectors
Optional Connectors	manifold
DIMENSIONS + WEIGHT	
Dimensions [mm] W x H x L	13.0 x 21.65 x 41.0
Weight [g]	16
OPERATING CONDITIONS	
Storage Temperature [°C]	-10 – +60 (extended temperature ranges on request)
Ambient Temperature [°C]	-10 – +60 (extended temperature ranges on request)
Temperature of Media [°C]	0 – +60 (extended temperature ranges on request)
Acceptable Humidity [%rH]	5 – 80 (non condensing)



PERFORMANCE DIAGRAM | SP 110 EC-TH



DRAWING | SP 110 EC-TH



All dimensions given in [mm]. Drawing shows standard orientation of pneumatic connectors (3 alternative orientations possible).

You can also download the 3D CAD files from the SP website:

www.schwarzer.com/download



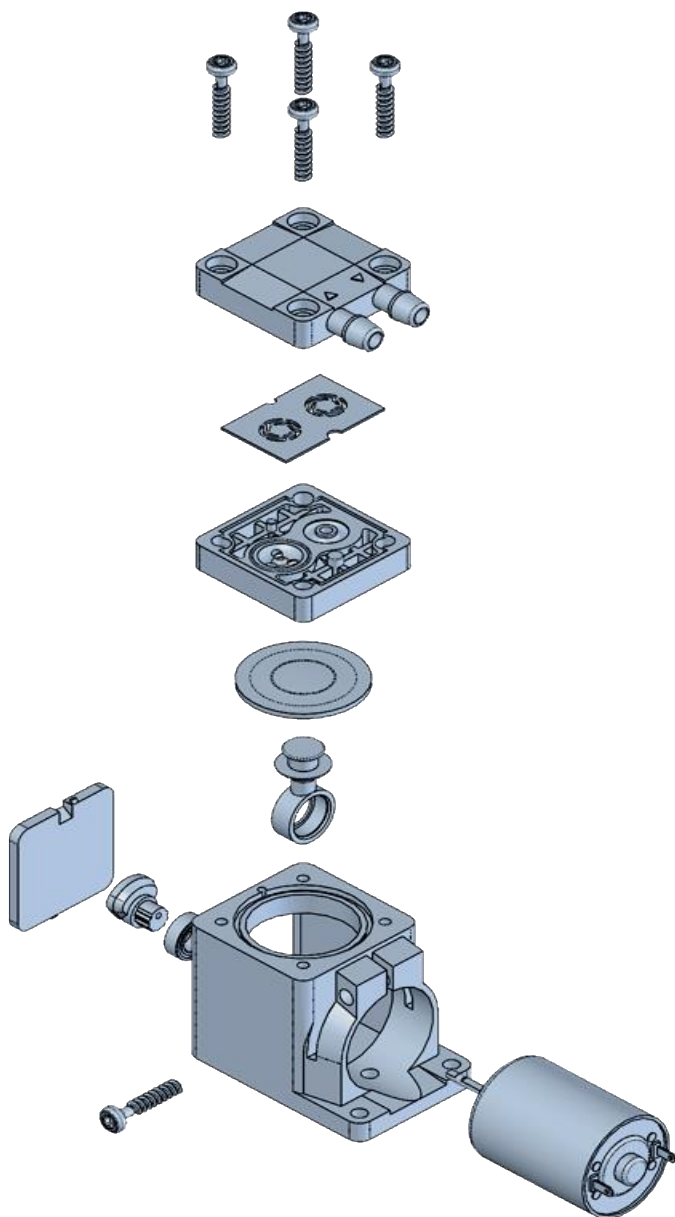
DISCLAIMER

Flow values are subject to the standard conditions specified in DIN 1343. The use of other materials may cause deviations in performance values. The technical data shown on this data sheet represents the typical mean values achieved by the products in our standard testing procedure. All data provided is for information only and does not represent production values. Standard products are subject to change without notice.

01.11.2025

CUSTOMISING

The pumps in this data sheet represent our standard types. All pumps can be customised exactly to your specific requirements in all parameters.



Pump heads

Different materials available

Connectors

Barbed fittings, internal threads and manifold mounting available. Selectable port direction.

Valves

Different designs and materials available.

Flow channels

Pressure- or vacuum-optimised.

Diaphragm

Application-specific designs. Free choice of materials, geometry, hardness, etc.

Connection rods

Available in different lengths.

Eccentric

Stroke and bearing selectable.

Housings

With individual mounting options and installation positions.

Drives

Iron core, coreless, shaded pole and brushless motors with choice of operating voltages and individual wiring.