



The pumps listed on this data sheet represent a cross-section of the large number of possibilities for each pump type. Based on our modular pump design, all pumps can be customised exactly to meet the needs of your application - within days and at standard pricing. Please contact us for details.



SP 300 SA-DV (AC)
SP 300 SA-VD (AC)



SP 300 SA-DV (DC)
SP 300 SA-VD (DC)

PRODUCT FEATURES

- Very long life
- High efficiency
- Oil-free
- Maintenance-free

TYPICAL APPLICATIONS

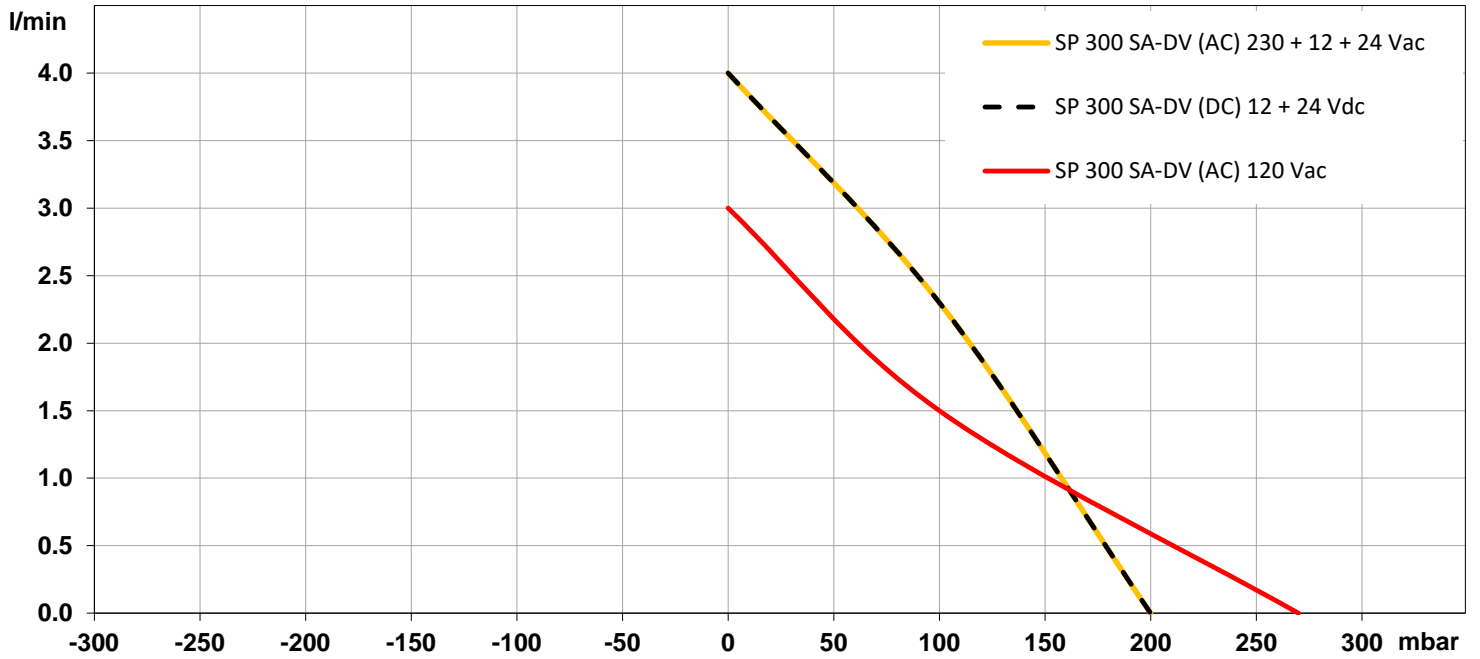
- Gas analysis
- Pipetting
- Fluid level indication



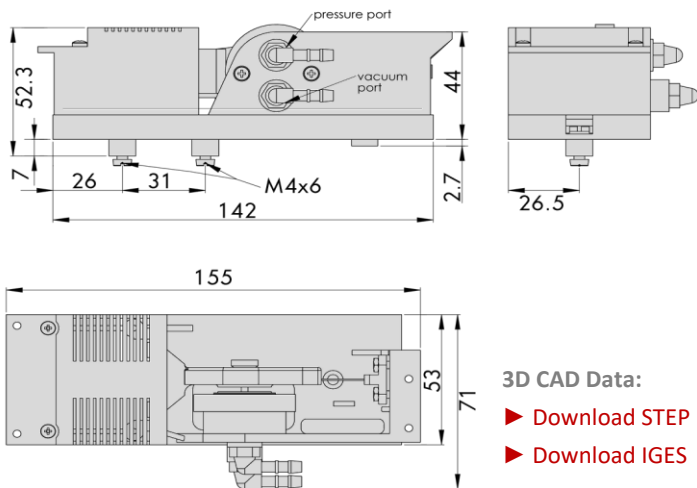
| TYPE | SP 300 SA-DV (AC) | | | | SP 300 SA-DV (DC) | |
|-----------------------------|---|---------|---------|---------|----------------------------------|---------|
| | AC Version pressure optimised | | | | DC Version pressure optimised | |
| Operating Voltage [Vac] | 230 | 120 | 24 | 12 | - | - |
| Operating Voltage [Vdc] | - | - | - | - | 24 | 12 |
| Frequency [Hz] | 50 | 60 | 50 | 50 | - | - |
| Art. No. | 7s10000 | 7s10002 | 7s10004 | 7s10008 | 7s10012 | 7s10014 |
| Power Consumption [W] | 4 | 4 | 4 | 4 | 4 | 4 |
| PERFORMANCE | | | | | | |
| max. Flow [l/min] | 4.0 | 3.0 | 4.0 | 4.0 | 4.0 | 4.0 |
| max. Pressure [bar] | 0.20 | 0.27 | 0.20 | 0.20 | 0.20 | 0.20 |
| max. Vacuum [mbar] | - | - | - | - | - | - |
| MOTOR | | | | | | |
| Standard Motor | vibrating armature | | | | | |
| Motor Connection | connecting terminal | | | | | |
| Optional Motor | n/a | | | | | |
| MATERIALS | | | | | | |
| Standard Pump Head | PA6 & ABS | | | | | |
| Optional Pump Head | n/a | | | | | |
| Standard Diaphragm | EPDM | | | | | |
| Optional Diaphragm | n/a | | | | | |
| Standard Valves | CR | | | | | |
| Optional Valves | n/a | | | | | |
| Standard Gaskets | NBR | | | | | |
| Optional Gaskets | n/a | | | | | |
| PNEUMATIC CONNECTION | | | | | | |
| Standard Connectors | barbed connectors | | | | | |
| Optional Connectors | n/a | | | | | |
| DIMENSIONS + WEIGHT | | | | | | |
| Dimensions [mm] W x H x L | 71 x 52.5 x 155 | | | | 71 x 52.5 x 155 | |
| Weight [g] | 415 | | | | 415 | |
| OPERATING CONDITIONS | | | | | | |
| Storage Temperature [°C] | 0 – 40 (extended temperature ranges on request) | | | | | |
| Ambient Temperature [°C] | 0 – 40 (extended temperature ranges on request) | | | | | |
| Temperature of Media [°C] | 0 – 40 (extended temperature ranges on request) | | | | | |
| Acceptable Humidity [%rH] | 5 – 80 (non condensing) | | | | | |



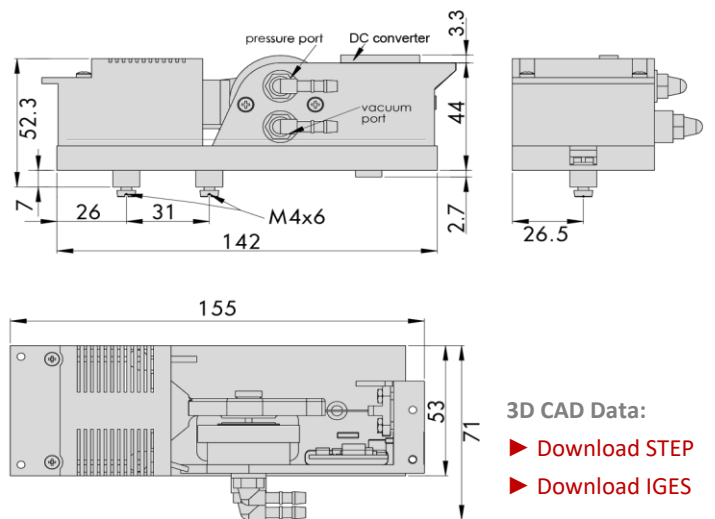
PERFORMANCE DIAGRAM | SP 300 SA-DV



DRAWING | SP 300 SA-DV (AC)



DRAWING | SP 300 SA-DV (DC)



All dimensions given in [mm].

You can also download the 3D CAD files from the SP website:

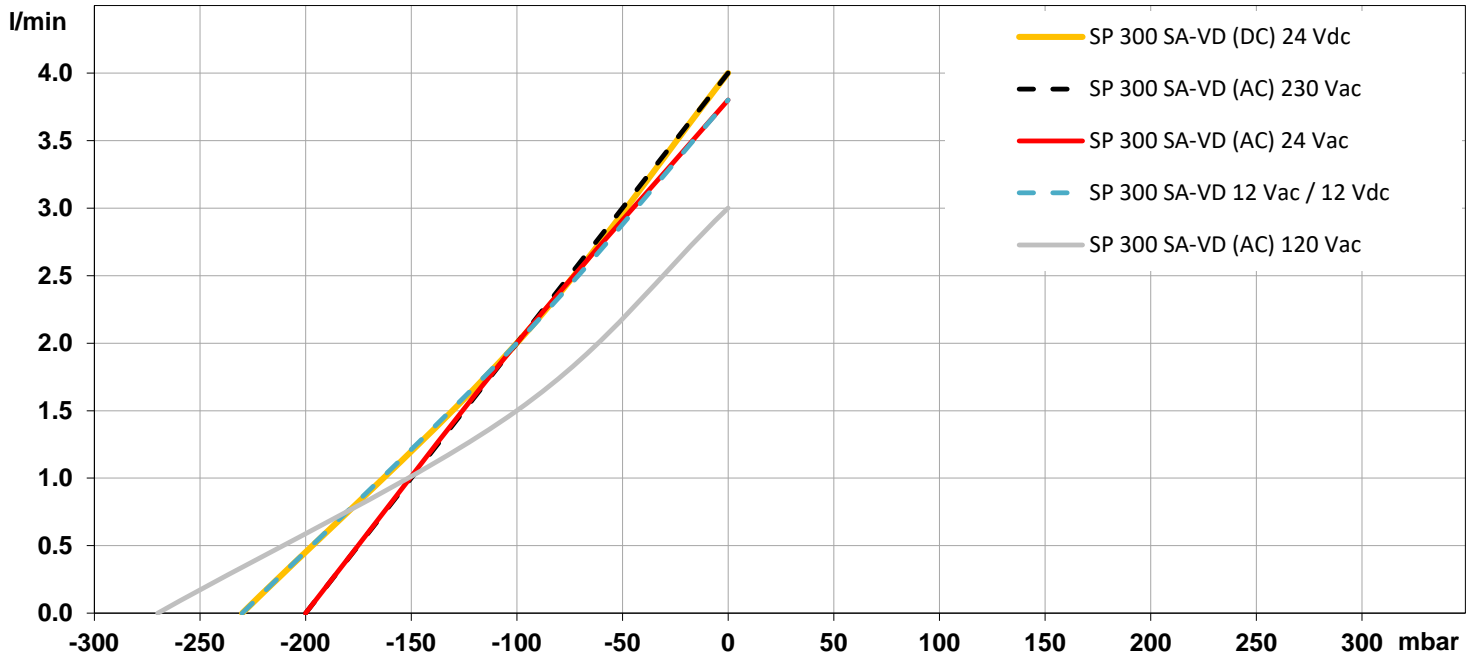
► www.schwarzer.com/download



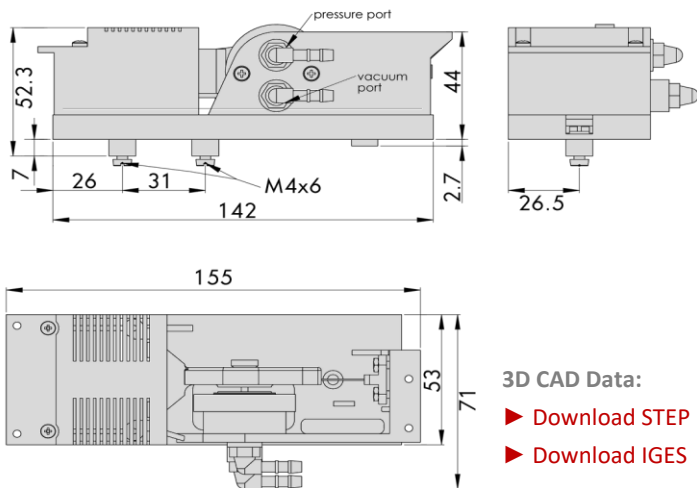
| TYPE | SP 300 SA-VD (AC) | | | | SP 300 SA-VD (DC) | |
|-----------------------------|---|---------|---------|---------|--------------------------------|---------|
| | AC version vacuum optimised | | | | DC version vacuum optimised | |
| Operating Voltage [Vac] | 230 | 120 | 24 | 12 | - | - |
| Operating Voltage [Vdc] | - | - | - | - | 24 | 12 |
| Frequency [Hz] | 50 | 60 | 50 | 50 | - | - |
| Art. No. | 7s10001 | 7s10003 | 7s10005 | 7s10009 | 7s10013 | 7s10015 |
| Power Consumption [W] | 4 | 4 | 4 | 4 | - | - |
| max. Nominal Current [mA] | - | - | - | - | 170 | 340 |
| PERFORMANCE | | | | | | |
| max. Flow [l/min] | 4.0 | 3.0 | 3.8 | 3.8 | 4.0 | 3.8 |
| max. Pressure [bar] | - | - | - | - | - | - |
| max. Vacuum [mbar] | -200 | -270 | -200 | -230 | -230 | -230 |
| MOTOR | | | | | | |
| Standard Motor | vibrating armature | | | | | |
| Motor Connection | connecting terminal | | | | | |
| Optional Motor | n/a | | | | | |
| MATERIALS | | | | | | |
| Standard Pump Head | PA6 & ABS | | | | | |
| Optional Pump Head | n/a | | | | | |
| Standard Diaphragm | EPDM | | | | | |
| Optional Diaphragm | n/a | | | | | |
| Standard Valves | CR | | | | | |
| Optional Valves | n/a | | | | | |
| Standard Gaskets | NBR | | | | | |
| Optional Gaskets | n/a | | | | | |
| PNEUMATIC CONNECTION | | | | | | |
| Standard Connectors | barbed connectors | | | | | |
| Optional Connectors | n/a | | | | | |
| DIMENSIONS + WEIGHT | | | | | | |
| Dimensions [mm] W x H x L | 71 x 52.5 x 155 | | | | 71 x 52.5 x 155 | |
| Weight [g] | 415 | | | | 415 | |
| OPERATING CONDITIONS | | | | | | |
| Storage Temperature [°C] | 0 – 40 (extended temperature ranges on request) | | | | | |
| Ambient Temperature [°C] | 0 – 40 (extended temperature ranges on request) | | | | | |
| Temperature of Media [°C] | 0 – 40 (extended temperature ranges on request) | | | | | |
| Acceptable Humidity [%rH] | 5 – 80 (non condensing) | | | | | |



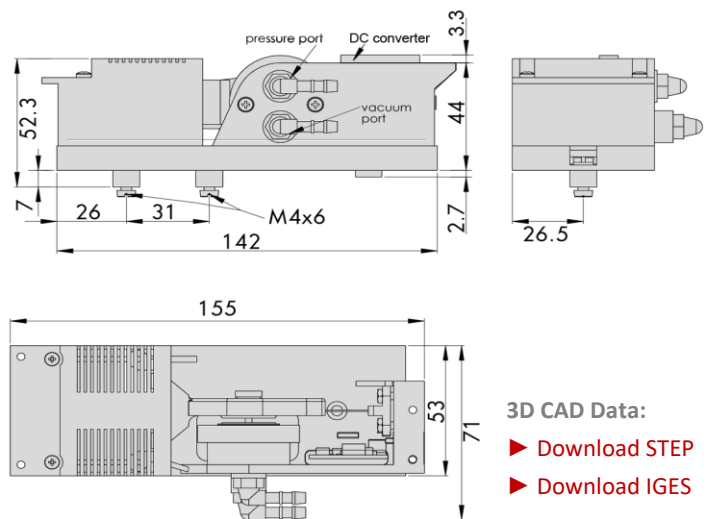
PERFORMANCE DIAGRAM | SP 300 SA-VD



DRAWING | SP 300 SA-VD (AC)



DRAWING | SP 300 SA-VD (DC)



All dimensions given in [mm].

You can also download the 3D CAD files from the SP website:

► www.schwarzer.com/download



DISCLAIMER

Flow values are subject to the standard conditions specified in DIN 1343. The use of other materials may cause deviations in performance values. The technical data shown on this data sheet represents the typical mean values achieved by the products in our standard testing procedure. All data provided is for information only and does not represent production values. Standard products are subject to change without notice.

08.05.2025