



The pumps listed on this data sheet represent a cross-section of the large number of possibilities for each pump type. Based on our modular pump design, all pumps can be customised exactly to meet the needs of your application - within days and at standard pricing. Please contact us for details.



SP 570 EC
coreless motor



SP 570 EC-LC
iron core motor



SP 570 EC-BL
brushless motor


PRODUCT FEATURES

- High efficiency for mobile devices
- Durable design
- Smallest size and low weight
- Low vibration and sound level
- Suitable for any mounting orientation
- Oil-free, maintenance-free, leak-tight

TYPICAL APPLICATIONS

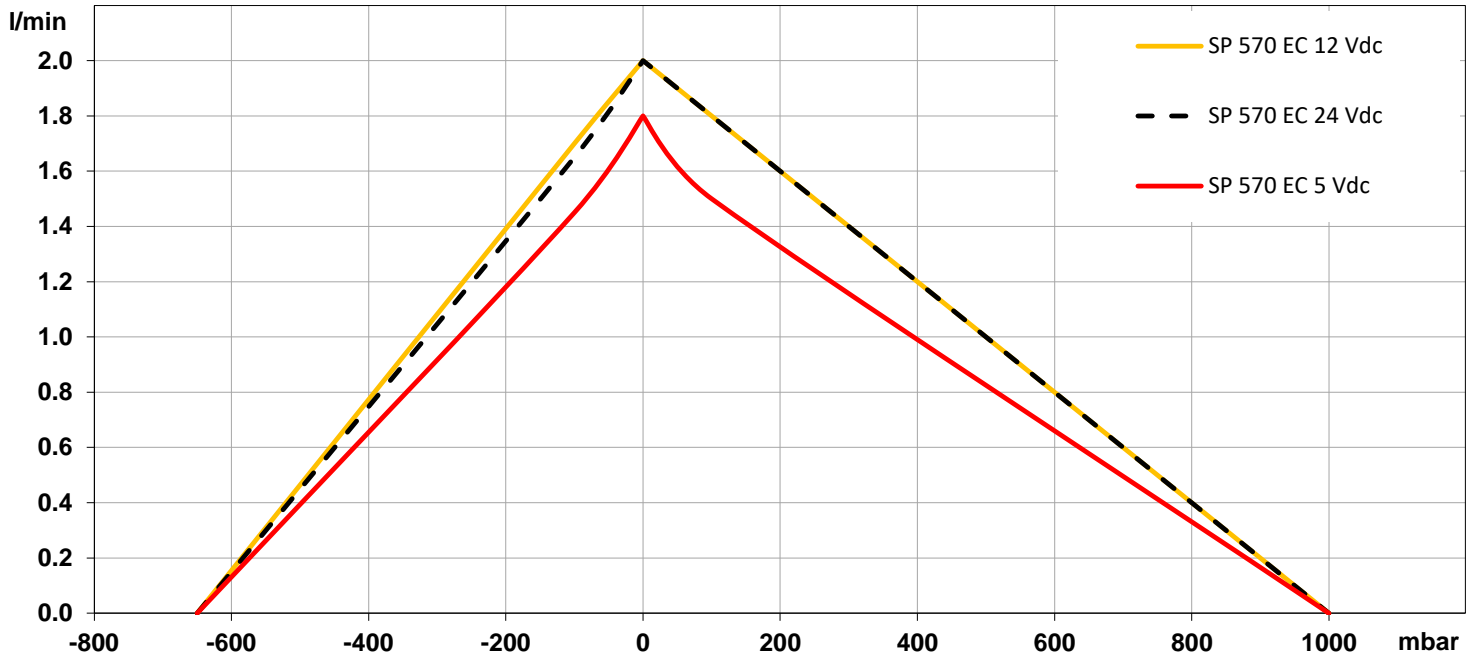
- Exhaust and flue gas analysis
- Respiratory gas analysis
- Fuel cells
- Gas analysis
- Personal gas detectors
- Air sampling
- Pipetting



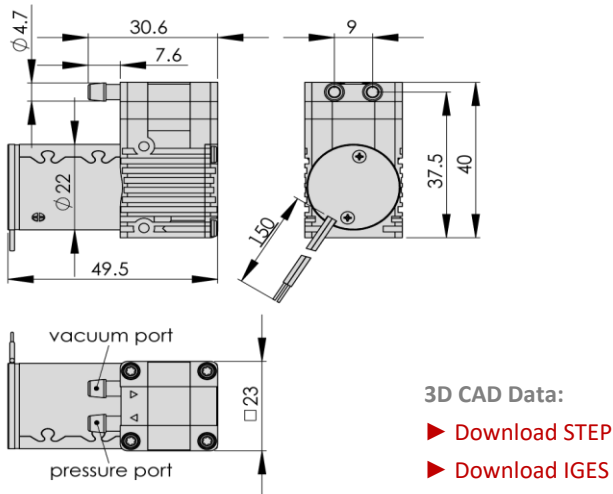
TYPE	SP 570 EC			SP 570 EC-LC		SP 570 EC-BL	
Operating Voltage [Vdc]	5	12	24 	6	12	12	24
Art. No.	7s58001	7s58003	7s58004	7s58051	7s58053	7s58010	7s58011
max. Nominal Current [mA]	350	250	150	380	180	350	180
PERFORMANCE							
max. Flow [l/min]	1.8	2.0	2.0	1.7	1.7	2.0	2.0
max. Pressure [bar]	1.0	1.0	1.0	1.0	1.0	1.0	1.0
max. Vacuum [mbar]	-650	-650	-650	-650	-650	-650	-650
MOTOR							
Standard Motor	coreless			iron core		brushless for analogue or PWM control	
Standard Bearings	ball bearings			sintered bearings		ball bearings	
Motor Connection	2 wires			soldering lugs		4 wires	
Optional Motor	n/a			n/a		brushless without integrated electronics	
Optional Bearings	n/a			n/a		n/a	
MATERIALS							
Standard Pump Head	PPS						
Optional Pump Head	customer specific (upon request)						
Standard Diaphragm	EPDM						
Optional Diaphragm	FKM / silicone / customer specific (upon request)						
Standard Valves	EPDM						
Optional Valves	FKM / silicone / customer specific (upon request)						
Standard Gaskets	EPDM						
Optional Gaskets	FKM / silicone / customer specific (upon request)						
PNEUMATIC CONNECTION							
Standard Connectors	barbed connectors						
Optional Connectors	n/a						
DIMENSIONS + WEIGHT							
Dimensions [mm] W x H x L	23 x 40 x 49.5			23 x 40 x 51.5		23 x 40 x 49.1	
Weight [g]	80			55		60	
OPERATING CONDITIONS							
Storage Temperature [°C]	-10 – +60 (extended temperature ranges on request)						
Ambient Temperature [°C]	-10 – +40 (extended temperature ranges on request)						
Temperature of Media [°C]	0 – +80 (extended temperature ranges on request)						
Acceptable Humidity [%rH]	5 – 80 (non condensing)						



PERFORMANCE DIAGRAM | SP 570 EC



DRAWING | SP 570 EC



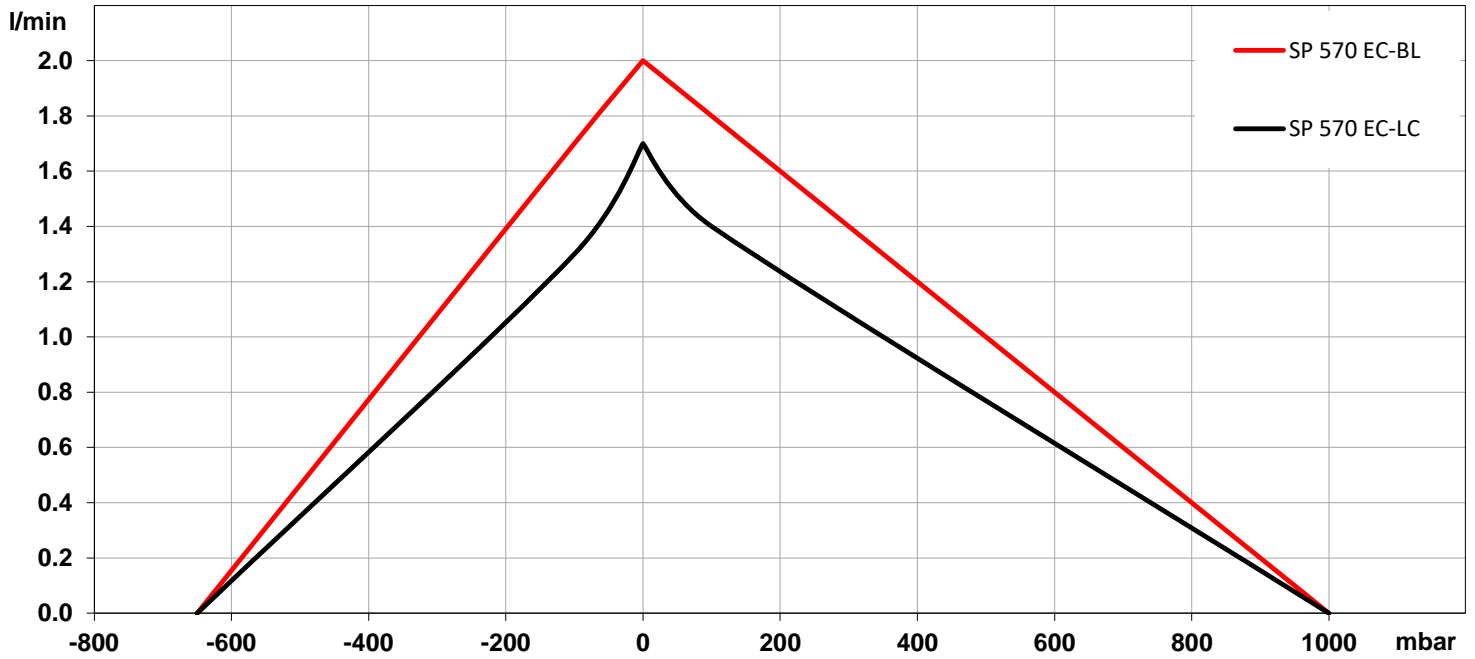
All dimensions given in [mm]. Drawing shows standard orientation of pneumatic connectors (3 alternative orientations possible).

You can also download the 3D CAD files from the SP website: www.schwarzer.com/download

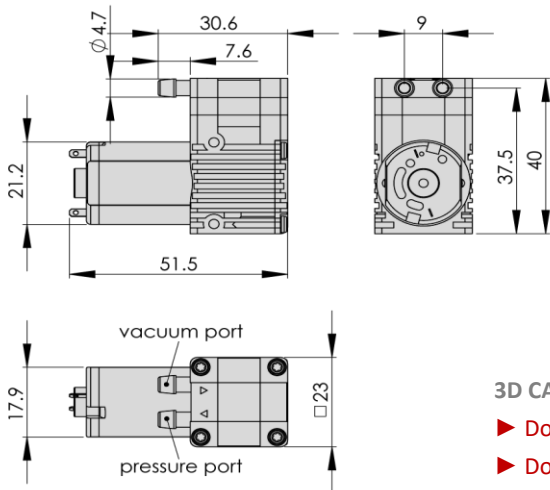


SP 570 EC

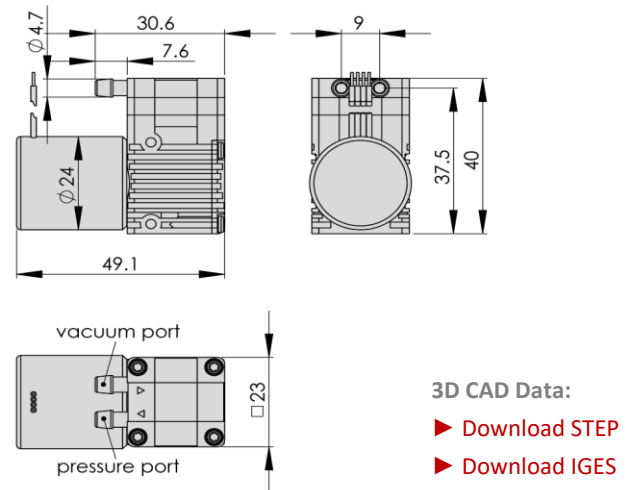
PERFORMANCE DIAGRAM | SP 570 EC-LC + SP 570 EC-BL



DRAWING | SP 570 EC-LC



DRAWING | SP 570 EC-BL



All dimensions given in [mm]. Drawing shows standard orientation of pneumatic connectors (3 alternative orientations possible).

You can also download the 3D CAD files from the SP website:

▶ www.schwarzer.com/download



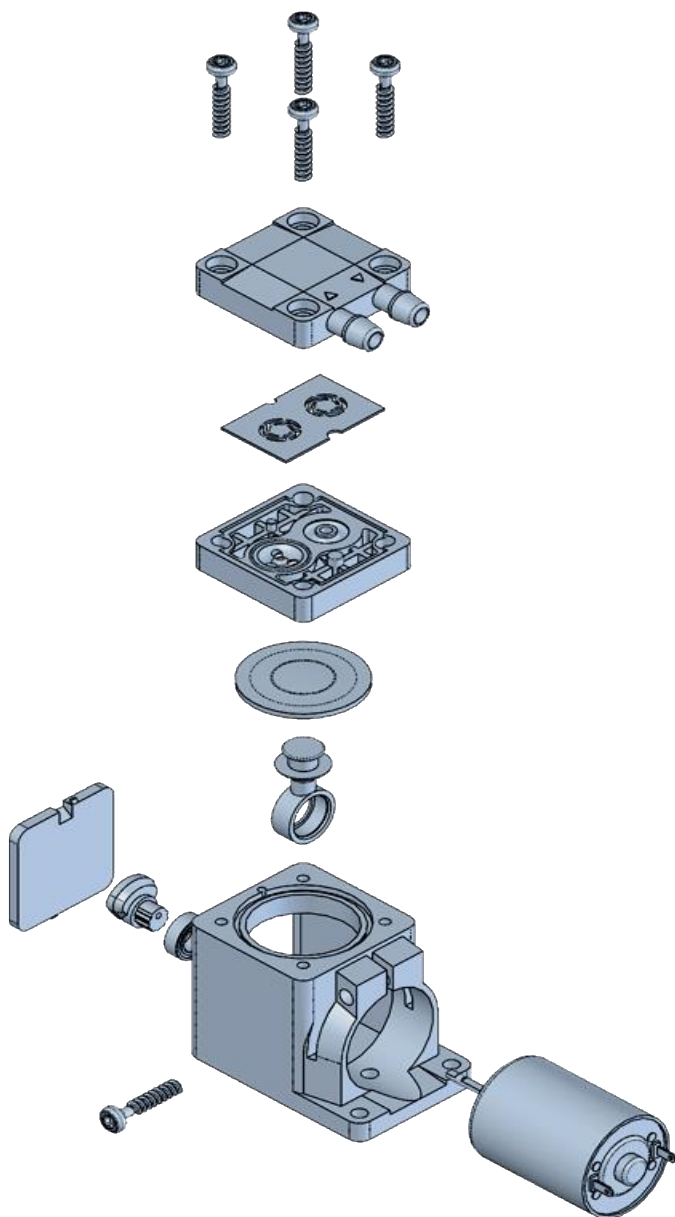
DISCLAIMER

Flow values are subject to the standard conditions specified in DIN 1343. The use of other materials may cause deviations in performance values. The technical data shown on this data sheet represents the typical mean values achieved by the products in our standard testing procedure. All data provided is for information only and does not represent production values. Standard products are subject to change without notice.

08.05.2025

CUSTOMISING

The pumps in this data sheet represent our standard types. All pumps can be customised exactly to your specific requirements in all parameters.



Pump heads

Different materials available

Connectors

Barbed fittings, internal threads and manifold mounting available. Selectable port direction.

Valves

Different designs and materials available.

Flow channels

Pressure- or vacuum-optimised.

Diaphragm

Application-specific designs. Free choice of materials, geometry, hardness, etc.

Connection rods

Available in different lengths.

Eccentric

Stroke and bearing selectable.

Housings

With individual mounting options and installation positions.

Drives

Iron core, coreless, shaded pole and brushless motors with choice of operating voltages and individual wiring.