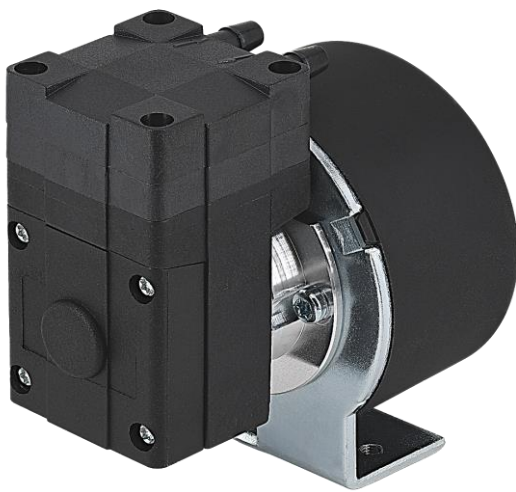




The pumps listed on this data sheet represent a cross-section of the large number of possibilities for each pump type. Based on our modular pump design, all pumps can be customised exactly to meet the needs of your application - within days and at standard pricing. Please contact us for details.



SP 620 EC-BL



SP 622 EC-BL

PRODUCT FEATURES

- High efficiency
- Extra durable brushless motors
- Small size and low weight
- Low vibration and sound level
- Suitable for any mounting orientation
- Oil-free, maintenance-free, leak-tight

TYPICAL APPLICATIONS

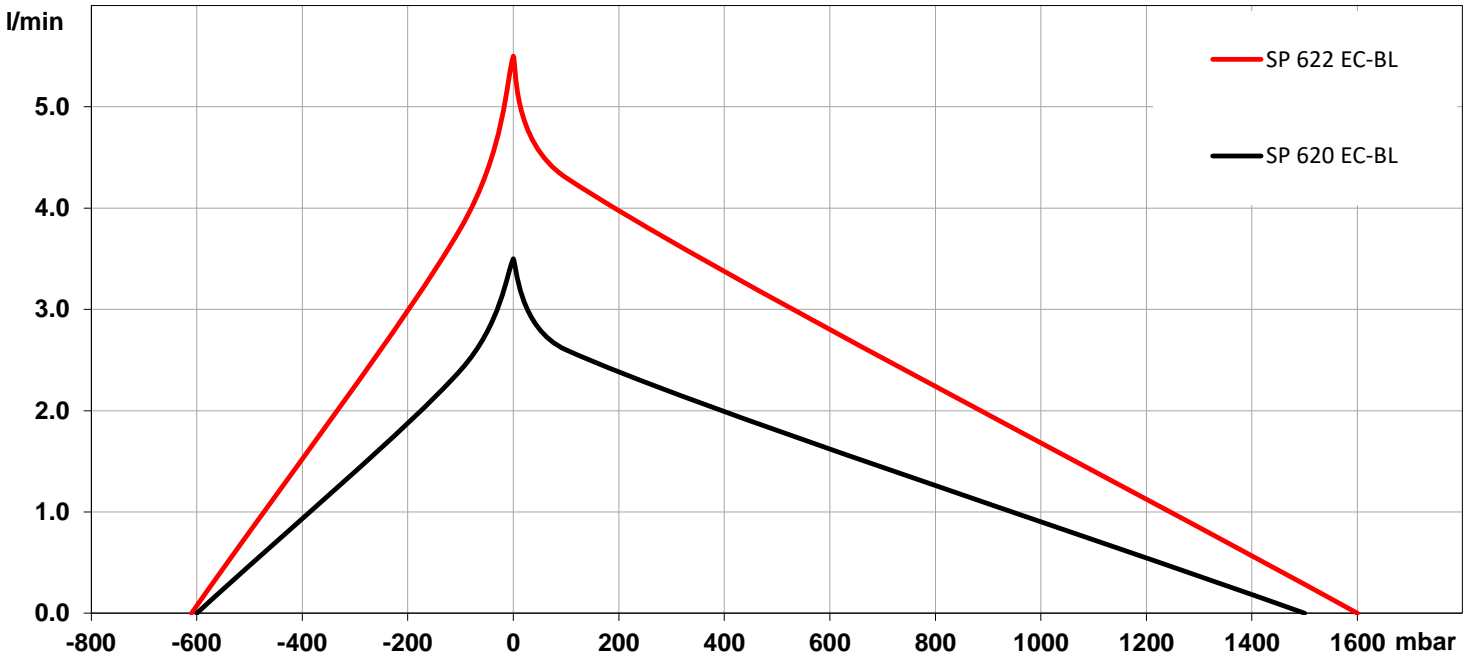
- Exhaust and flue gas analysis
- Auto samplers
- Blood pressure monitoring
- Chromatography
- Dental vacuum
- Gas analysis
- Anaesthesia monitoring



TYPE	SP 620 EC-BL		SP 622 EC-BL	
Operating Voltage [Vdc]	12	24	12	24
Art. No.	7s57012	7s57011	7s57059	7s57060
max. Nominal Current [mA]	600	300	700	350
PERFORMANCE				
max. Flow [l/min]	3.5	3.5	5.5	5.5
max. Pressure [bar]	1.5	1.5	1.6	1.6
max. Vacuum [mbar]	-600	-600	-610	-610
MOTOR				
Standard Motor	brushless for analogue control		brushless for analogue or PWM control	
Standard Bearings	ball bearings		ball bearings	
Motor Connection	2 wires		4 wires	
Optional Motor	brushless for analogue or PWM control, or brushless without integrated electronics		brushless without integrated electronics	
Optional Bearings	n/a		n/a	
MATERIALS				
Standard Pump Head	PPS			
Optional Pump Head	customer specific (upon request)			
Standard Diaphragm	EPDM			
Optional Diaphragm	FKM / FFKM / PTFE			
Standard Valves	EPDM			
Optional Valves	FKM / FFKM / customer specific (upon request)			
Standard Gaskets	EPDM			
Optional Gaskets	FKM / FFKM / customer specific (upon request)			
PNEUMATIC CONNECTION				
Standard Connectors	barbed connectors			
Optional Connectors	n/a			
DIMENSIONS + WEIGHT				
Dimensions [mm] W x H x L	54 x 69 x 62.5		31.7 x 54 x 66.8	
Weight [g]	260		170	
OPERATING CONDITIONS				
Storage Temperature [°C]	-10 – +60 (extended temperature ranges on request)			
Ambient Temperature [°C]	-10 – +40 (extended temperature ranges on request)			
Temperature of Media [°C]	0 – +80 (extended temperature ranges on request)			
Acceptable Humidity [%rH]	5 – 80 (non condensing)			

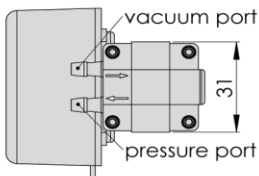
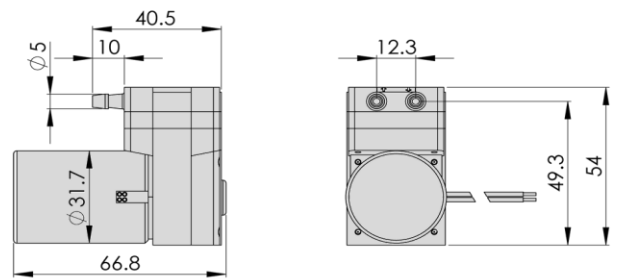
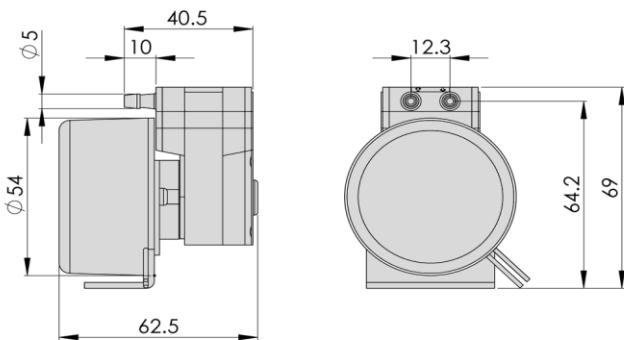


PERFORMANCE DIAGRAM | SP 620 EC-BL ▪ SP 622 EC-BL



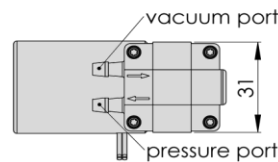
DRAWING | SP 620 EC-BL

DRAWING | SP 622 EC-BL



3D CAD Data:

- ▶ Download STEP
- ▶ Download IGES



3D CAD Data:

- ▶ Download STEP
- ▶ Download IGES

All dimensions given in [mm]. Drawing shows standard orientation of pneumatic connectors (3 alternative orientations possible).

You can also download the 3D CAD files from the SP website: ▶ www.schwarzer.com/download



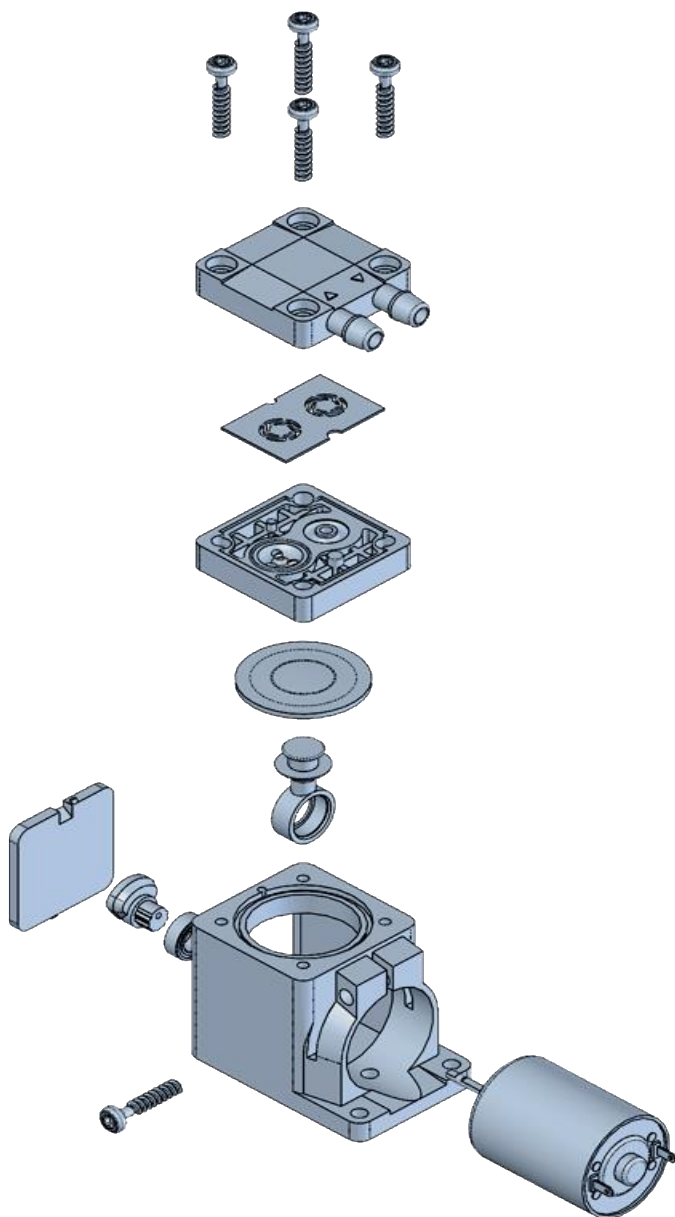
DISCLAIMER

Flow values are subject to the standard conditions specified in DIN 1343. The use of other materials may cause deviations in performance values. The technical data shown on this data sheet represents the typical mean values achieved by the products in our standard testing procedure. All data provided is for information only and does not represent production values. Standard products are subject to change without notice.

08.05.2025

CUSTOMISING

The pumps in this data sheet represent our standard types. All pumps can be customised exactly to your specific requirements in all parameters.



Pump heads

Different materials available

Connectors

Barbed fittings, internal threads and manifold mounting available. Selectable port direction.

Valves

Different designs and materials available.

Flow channels

Pressure- or vacuum-optimised.

Diaphragm

Application-specific designs. Free choice of materials, geometry, hardness, etc.

Connection rods

Available in different lengths.

Eccentric

Stroke and bearing selectable.

Housings

With individual mounting options and installation positions.

Drives

Iron core, coreless, shaded pole and brushless motors with choice of operating voltages and individual wiring.