



SP 620 EC - SP 628 EC Dual Head

The pumps listed on this data sheet represent a cross-section of the large number of possibilities for each pump type. Based on our modular pump design, all pumps can be customised exactly to meet the needs of your application - within days and at standard pricing. Please contact us for details.



SP 620 EC-DUP
parallel tubing



SP 620 EC-DUs
serial tubing



SP 628 EC-DUP
parallel tubing



SP 628 EC-DUs
serial tubing


PRODUCT FEATURES

- Vacuum or pressure optimised design
- High efficiency and durable design
- Small size and low weight
- Low vibration and sound level
- Suitable for any mounting orientation
- Oil-free, maintenance-free, leak-tight

TYPICAL APPLICATIONS

- Exhaust and flue gas analysis
- Auto samplers
- Blood pressure monitoring
- Chromatography
- Dental vacuum
- Gas analysis
- Anaesthesia monitoring

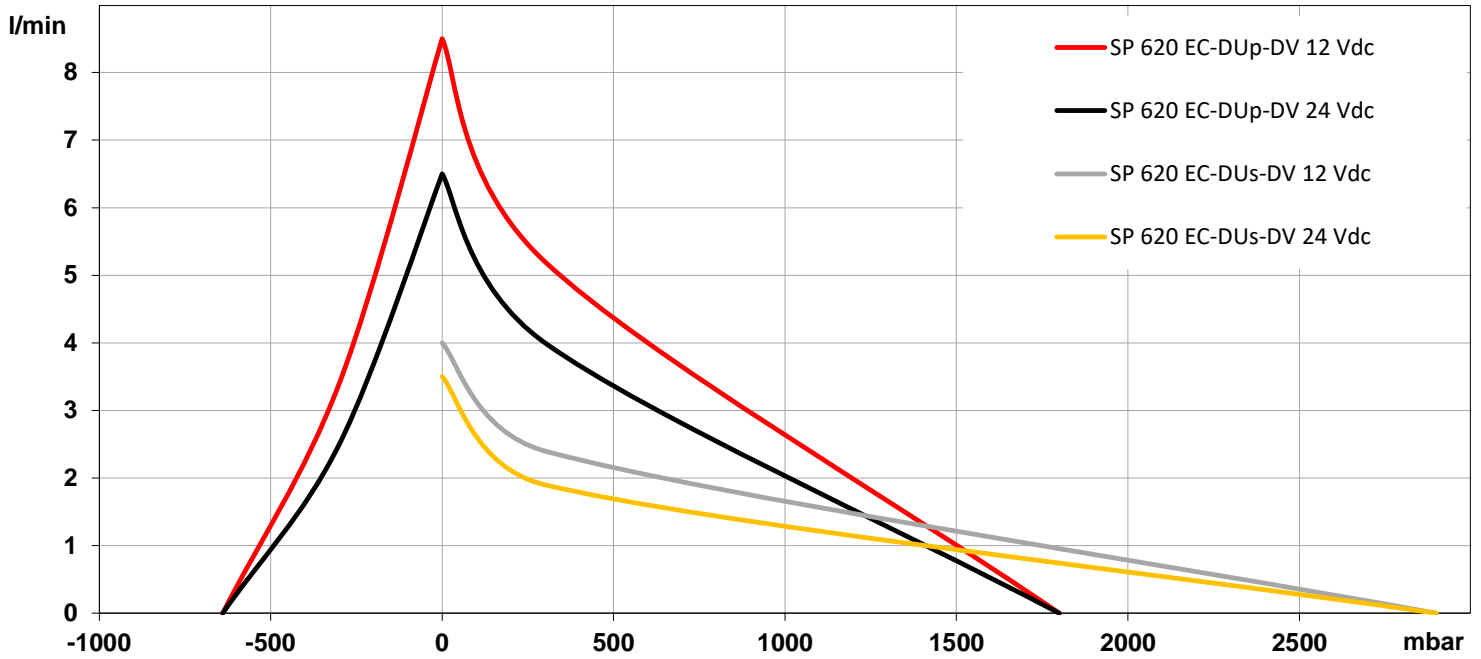


TYPE	SP 620 EC-DUp-DV		SP 620 EC-DUs-DV	
	parallel tubing pressure optimised		serial tubing pressure optimised	
		 24h quick availability		
Operating Voltage [Vdc]	12	24	12	24
Art. No.	7s57082	7s57083	7s57213	7s57214
max. Nominal Current [mA]	900	490	980	510
PERFORMANCE				
max. Flow [l/min]	8.5	6.5	4.0	3.5
max. Pressure [bar]	1.8	1.8	2.9	2.9
max. Vacuum [mbar]	-640	-640	-	-
MOTOR				
Standard Motor	iron core			
Standard Bearings	ball bearings			
Motor Connection	2 wires	soldering lugs / flat connectors	2 wires	soldering lugs / flat connectors
Optional Motor	n/a			
Optional Bearings	n/a			
MATERIALS				
Standard Pump Head	PPS			
Optional Pump Head	customer specific (upon request)			
Standard Diaphragm	EPDM			
Optional Diaphragm	FKM / FFKM / PTFE			
Standard Valves	EPDM			
Optional Valves	FKM / FFKM / customer specific (upon request)			
Standard Gaskets	EPDM			
Optional Gaskets	FKM / FFKM / customer specific (upon request)			
PNEUMATIC CONNECTION				
Standard Connectors	barbed connectors			
Optional Connectors	n/a			
DIMENSIONS + WEIGHT				
Dimensions [mm] W x H x L	31 x 75.5 x 90			
Weight [g]	230			
OPERATING CONDITIONS				
Storage Temperature [°C]	-10 – +60 (extended temperature ranges on request)			
Ambient Temperature [°C]	-10 – +40 (extended temperature ranges on request)			
Temperature of Media [°C]	0 – +80 (extended temperature ranges on request)			
Acceptable Humidity [%rH]	5 – 80 (non condensing)			

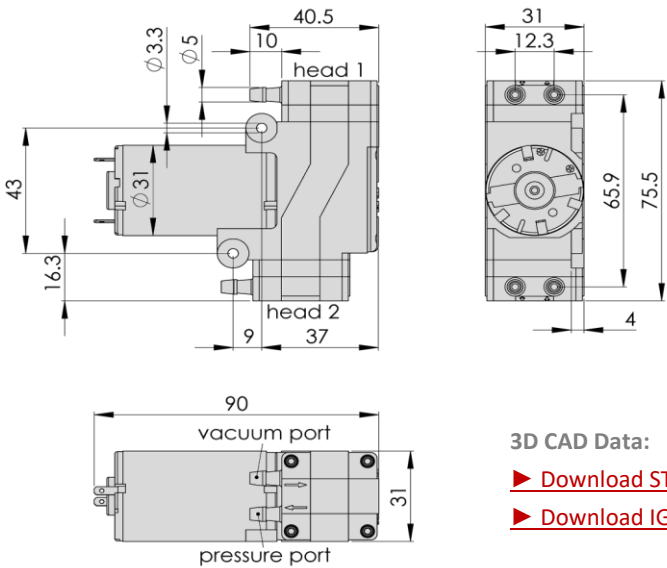


SP 620 EC - SP 628 EC Dual Head

PERFORMANCE DIAGRAM | SP 620 EC-DUp-DV - SP 620 EC-DUs-DV



DRAWING | SP 620 EC-DUp-DV - SP 620 EC-DUs-DV



All dimensions given in [mm]. Drawing shows standard orientation of pneumatic connectors (3 alternative orientations possible).

You can also download the 3D CAD files from the SP website: [▶ www.schwarzer.com/download](http://www.schwarzer.com/download)



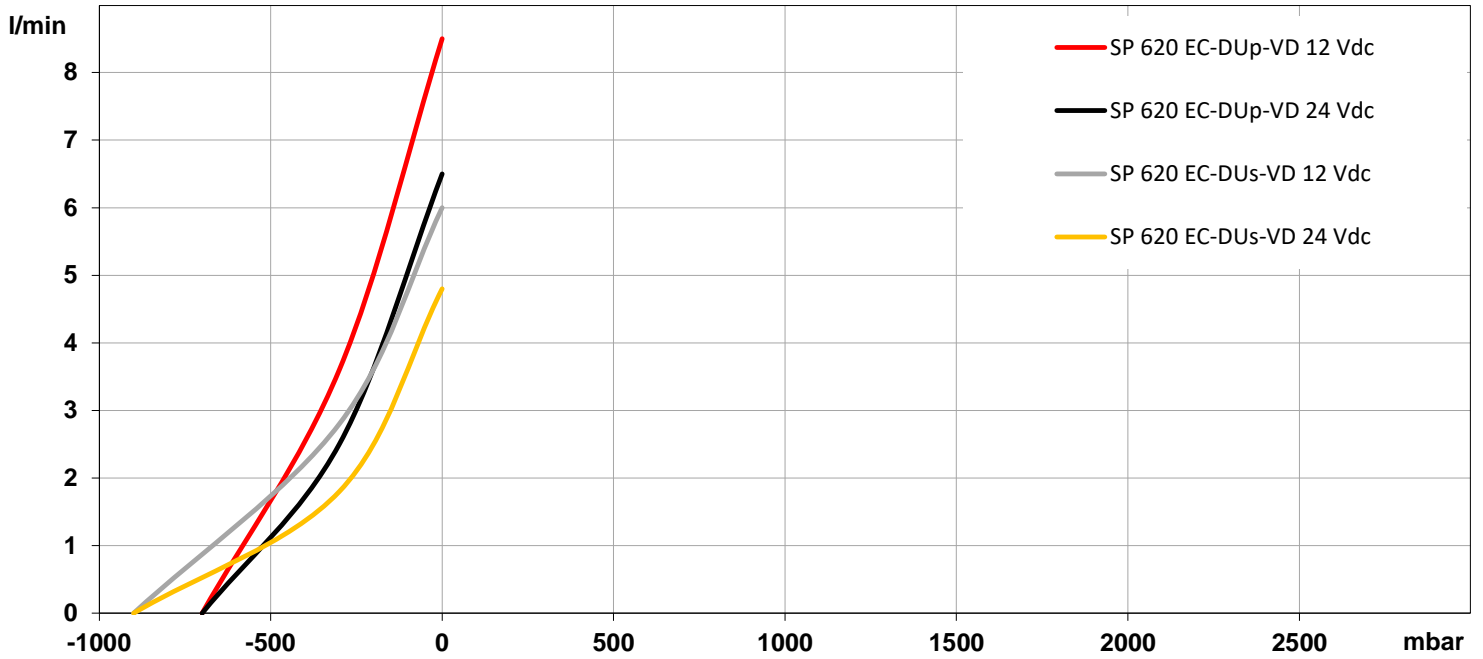
SP 620 EC - SP 628 EC Dual Head

TYPE	SP 620 EC-DUp-VD		SP 620 EC-DUs-VD	
	parallel tubing vacuum optimised		serial tubing vacuum optimised	
Operating Voltage [Vdc]	12	24	12	24
Art. No.	7s57131	7s57132	7s57211	7s57212
max. Nominal Current [mA]	900	490	900	490
PERFORMANCE				
max. Flow [l/min]	8.5	6.5	6.0	4.8
max. Pressure [bar]	-	-	-	-
max. Vacuum [mbar]	-700	-700	-900	-900
MOTOR				
Standard Motor	iron core			
Standard Bearings	ball bearings			
Motor Connection	2 wires	soldering lugs / flat connectors	2 wires	soldering lugs / flat connectors
Optional Motor	n/a			
Optional Bearings	n/a			
MATERIALS				
Standard Pump Head	PPS			
Optional Pump Head	customer specific (upon request)			
Standard Diaphragm	EPDM			
Optional Diaphragm	FKM / FFKM / PTFE			
Standard Valves	EPDM			
Optional Valves	FKM / FFKM / customer specific (upon request)			
Standard Gaskets	EPDM			
Optional Gaskets	FKM / FFKM / customer specific (upon request)			
PNEUMATIC CONNECTION				
Standard Connectors	barbed connectors			
Optional Connectors	n/a			
DIMENSIONS + WEIGHT				
Dimensions [mm] W x H x L	31 x 75.5 x 90			
Weight [g]	230			
OPERATING CONDITIONS				
Storage Temperature [°C]	-10 – +60 (extended temperature ranges on request)			
Ambient Temperature [°C]	-10 – +40 (extended temperature ranges on request)			
Temperature of Media [°C]	0 – +80 (extended temperature ranges on request)			
Acceptable Humidity [%rH]	5 – 80 (non condensing)			

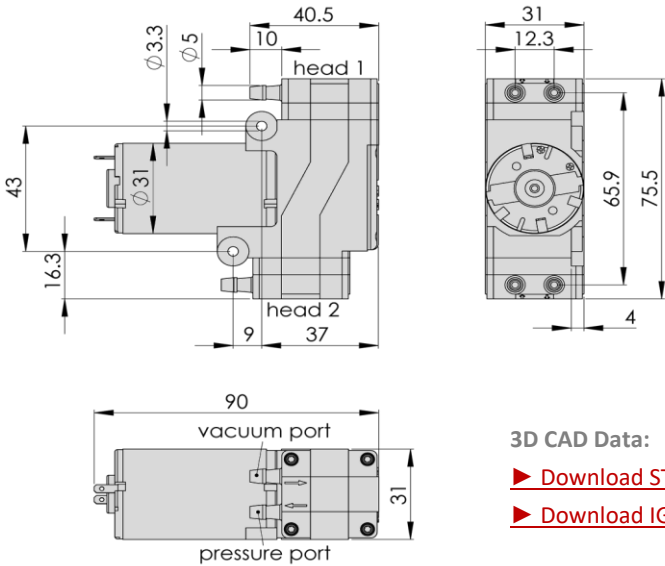


SP 620 EC - SP 628 EC Dual Head

PERFORMANCE DIAGRAM | SP 620 EC-DUp-VD - SP 620 EC-DUs-VD



DRAWING | SP 620 EC-DUp-VD - SP 620 EC-DUs-VD



All dimensions given in [mm]. Drawing shows standard orientation of pneumatic connectors (3 alternative orientations possible).

You can also download the 3D CAD files from the SP website:

www.schwarzer.com/download

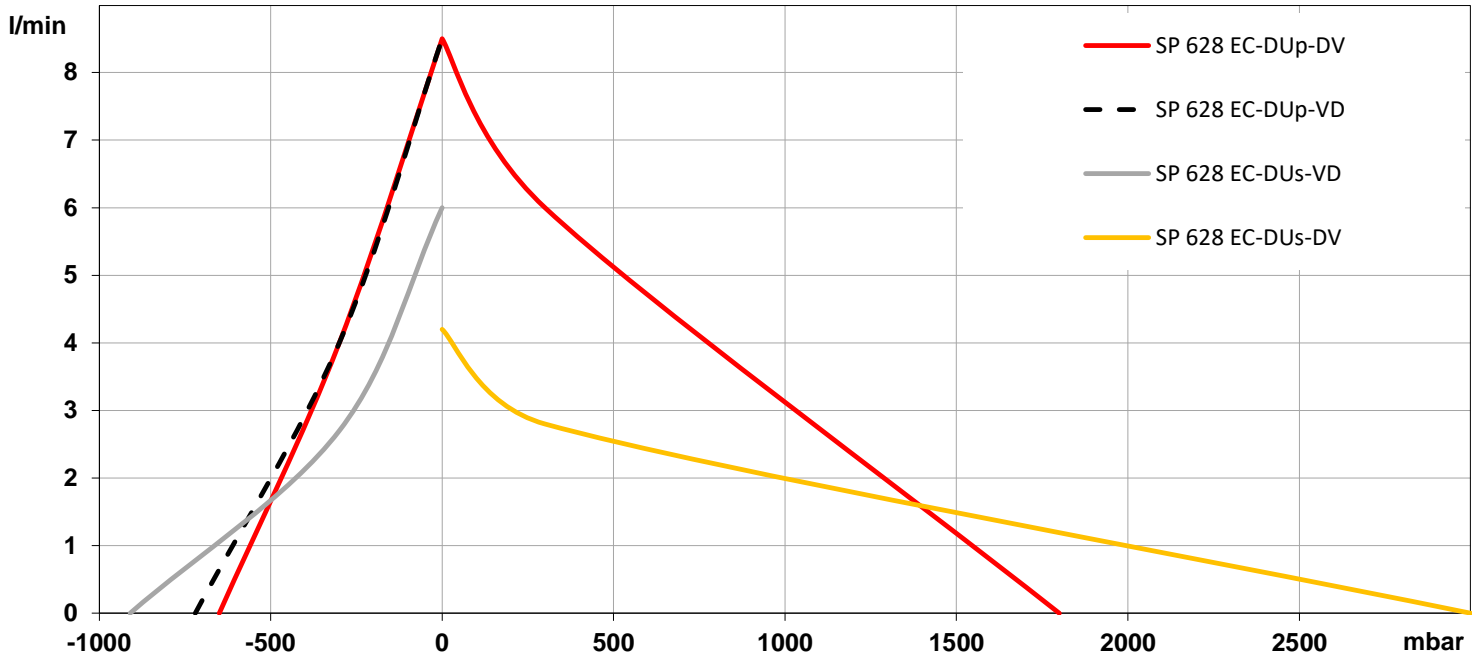


TYPE	SP 628 EC-DUp-DV		SP 628 EC-DUs-DV		SP 628 EC-DUp-VD		SP 628 EC-DUs-VD	
	parallel tubing pressure optimised		serial tubing pressure optimised		parallel tubing vacuum optimised		serial tubing vacuum optimised	
Operating Voltage [Vdc]	12	24	12	24	12	24	12	24
Art. No.	7s57134	7s57135	7s57234	7s57235	7s57137	7s57138	7s57145	7s57146
max. Nominal Current [mA]	800	440	800	450	800	440	800	450
PERFORMANCE								
max. Flow [l/min]	8.5	8.5	4.2	4.2	8.5	8.5	6.0	6.0
max. Pressure [bar]	1.8	1.8	3.0	3.0	-	-	-	-
max. Vacuum [mbar]	-650	-650	-	-	-720	-720	-910	-910
MOTOR								
Standard Motor	iron core							
Standard Bearings	ball bearings							
Motor Connection	soldering lugs / flat connectors							
Optional Motor Types	n/a							
Optional Bearings	n/a							
MATERIALS								
Standard Pump Head	PPS							
Optional Pump Head	customer specific (upon request)							
Standard Diaphragm	EPDM							
Optional Diaphragm	FKM / FFKM / PTFE							
Standard Valves	EPDM							
Optional Valves	FKM / FFKM / customer specific (upon request)							
Standard Gaskets	EPDM							
Optional Gaskets	FKM / FFKM / customer specific (upon request)							
PNEUMATIC CONNECTION								
Standard Connectors	barbed connectors							
Optional Connectors	n/a							
DIMENSIONS + WEIGHT								
Dimensions [mm] W x H x L	31 x 75.5 x 114							
Weight [g]	320							
OPERATING CONDITIONS								
Storage Temperature [°C]	-10 – +60 (extended temperature ranges on request)							
Ambient Temperature [°C]	-10 – +40 (extended temperature ranges on request)							
Temperature of Media [°C]	0 – +80 (extended temperature ranges on request)							
Acceptable Humidity [%rH]	5 – 80 (non condensing)							

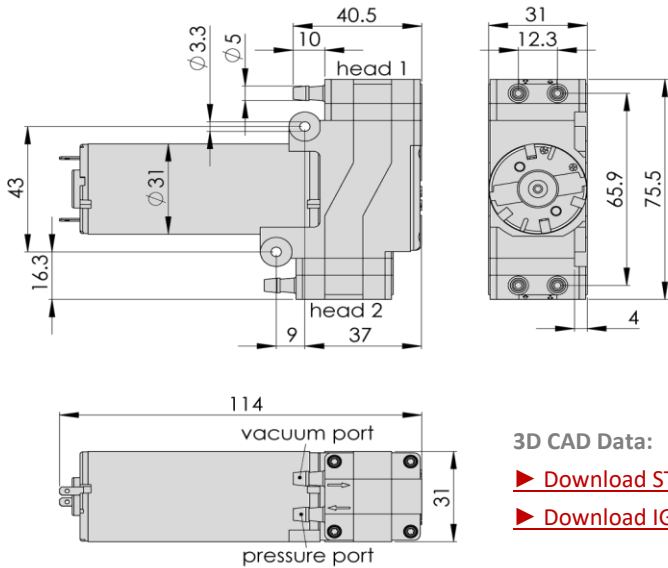


SP 620 EC - SP 628 EC Dual Head

PERFORMANCE DIAGRAM | SP 628 EC-DU



DRAWING | SP 628 EC-DU



3D CAD Data:

[Download STEP](#)

[Download IGES](#)

All dimensions given in [mm]. Drawing shows standard orientation of pneumatic connectors (3 alternative orientations possible).

You can also download the 3D CAD files from the SP website:

www.schwarzer.com/download



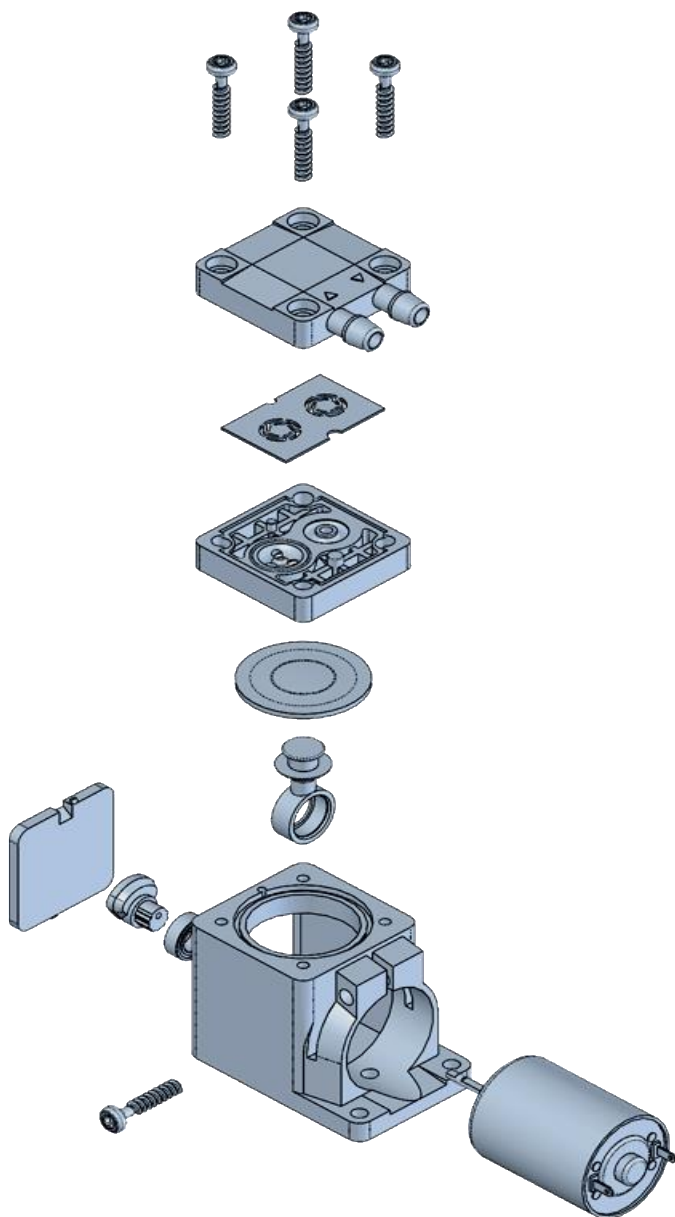
DISCLAIMER

Flow values are subject to the standard conditions specified in DIN 1343. The use of other materials may cause deviations in performance values. The technical data shown on this data sheet represents the typical mean values achieved by the products in our standard testing procedure. All data provided is for information only and does not represent production values. Standard products are subject to change without notice.

08.05.2025

CUSTOMISING

The pumps in this data sheet represent our standard types. All pumps can be customised exactly to your specific requirements in all parameters.



Pump heads

Different materials available

Connectors

Barbed fittings, internal threads and manifold mounting available. Selectable port direction.

Valves

Different designs and materials available.

Flow channels

Pressure- or vacuum-optimised.

Diaphragm

Application-specific designs. Free choice of materials, geometry, hardness, etc.

Connection rods

Available in different lengths.

Eccentric

Stroke and bearing selectable.

Housings

With individual mounting options and installation positions.

Drives

Iron core, coreless, shaded pole and brushless motors with choice of operating voltages and individual wiring.