



SP 725 EC Twin Head Liquid

The pumps listed on this data sheet represent a cross-section of the large number of possibilities for each pump type. Based on our modular pump design, all pumps can be customised exactly to meet the needs of your application - within days and at standard pricing. Please contact us for details.



SP 725 EC-THp-L (DC)

PRODUCT FEATURES

- Chemical resistant versions available
- Small size and low weight
- Suitable for any mounting orientation
- Oil-free, maintenance-free
- Self-priming
- Low vibration and sound level

TYPICAL APPLICATIONS

- Fuel cells
- Kidney dialysis
- Laboratory analysis
- Pipetting
- Cleaning and disinfection
- Inkjet printing



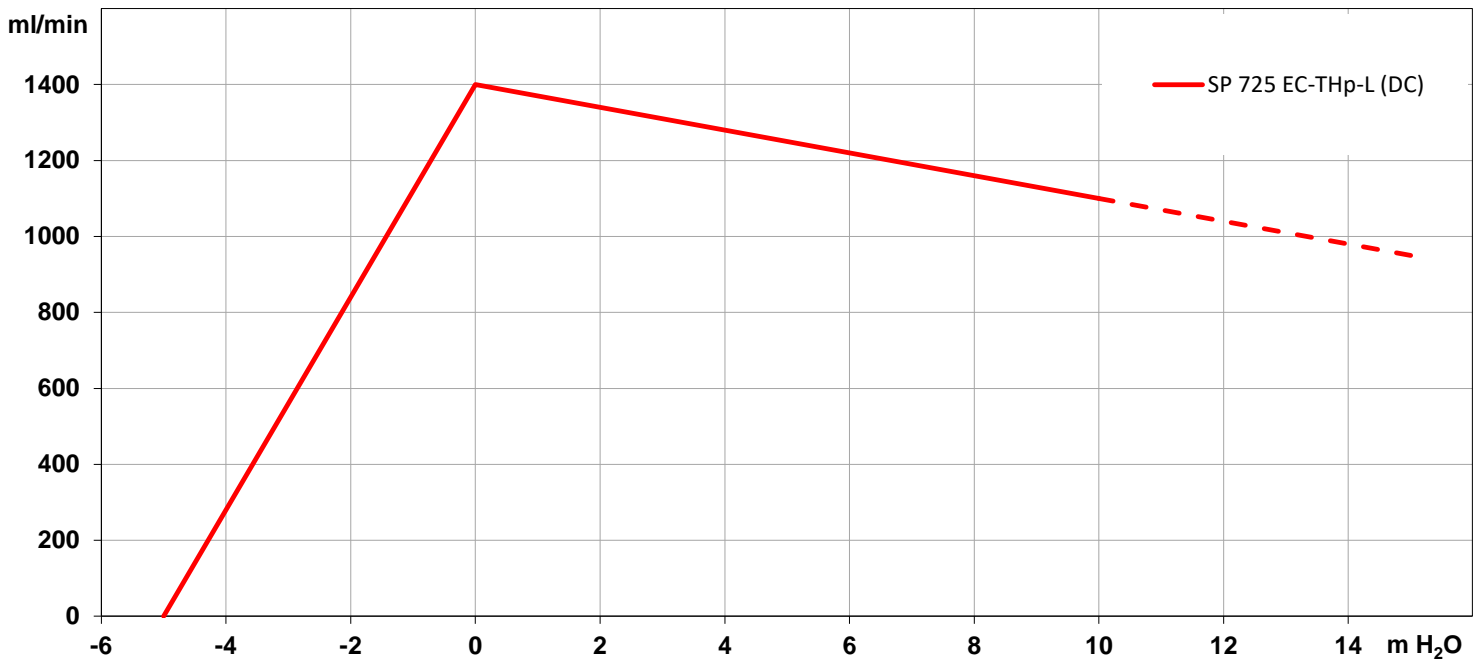
SP 725 EC Twin Head Liquid

TYPE	SP 725 EC-THp-L (DC)	
Operating Voltage [Vdc]	12	24
Art. No.	7s20320	7s20321
max. Nominal Current [mA]	3500	1500
PERFORMANCE		
max. Flow [ml/min]	1400	1400
max. Pressure [m H ₂ O]	10	10
max. Suction Height [m H ₂ O]	-5	-5
max. Vacuum (dry) [mbar]	-650	-650
MOTOR		
Standard Motor	iron core	
Standard Bearings	ball bearings	
Motor Connection	2 wires	
Optional Motor	n/a	
Optional Bearings	n/a	
MATERIALS		
Standard Pump Head	PPS	
Optional Pump Head	customer specific (upon request)	
Standard Diaphragm	EPDM	
Optional Diaphragm	FKM / customer specific (upon request)	
Standard Valves	EPDM	
Optional Valves	FKM / customer specific (upon request)	
Standard Gaskets	EPDM	
Optional Gaskets	FKM / customer specific (upon request)	
HYDRAULIC CONNECTION		
Standard Connectors	barbed connectors	
Optional Connectors	n/a	
DIMENSIONS + WEIGHT		
Dimensions [mm] W x H x L	62.3 x 74.5 x 153	
Weight [g]	850	

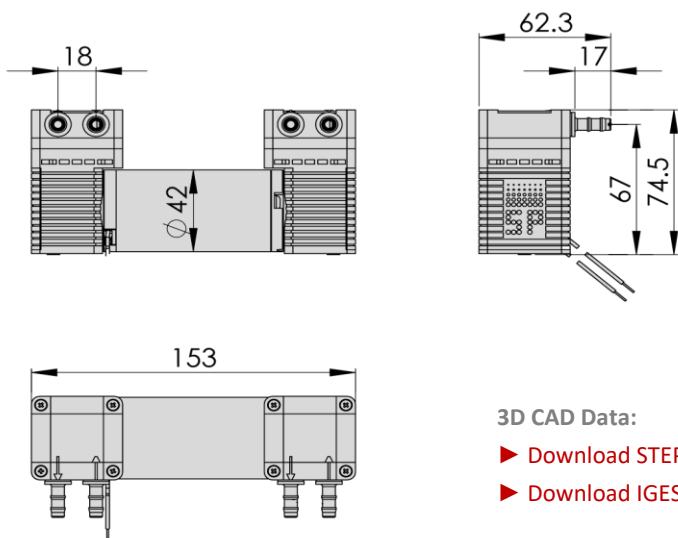


SP 725 EC Twin Head Liquid

PERFORMANCE DIAGRAM | SP 725 EC-THp-L (DC)



DRAWING | SP 725 EC-THp-L (DC)



All dimensions given in [mm]. Drawing shows standard orientation of pneumatic connectors (3 alternative orientations possible).

You can also download the 3D CAD files from the SP website:

▶ www.schwarzer.com/download



SP 725 EC Twin Head Liquid

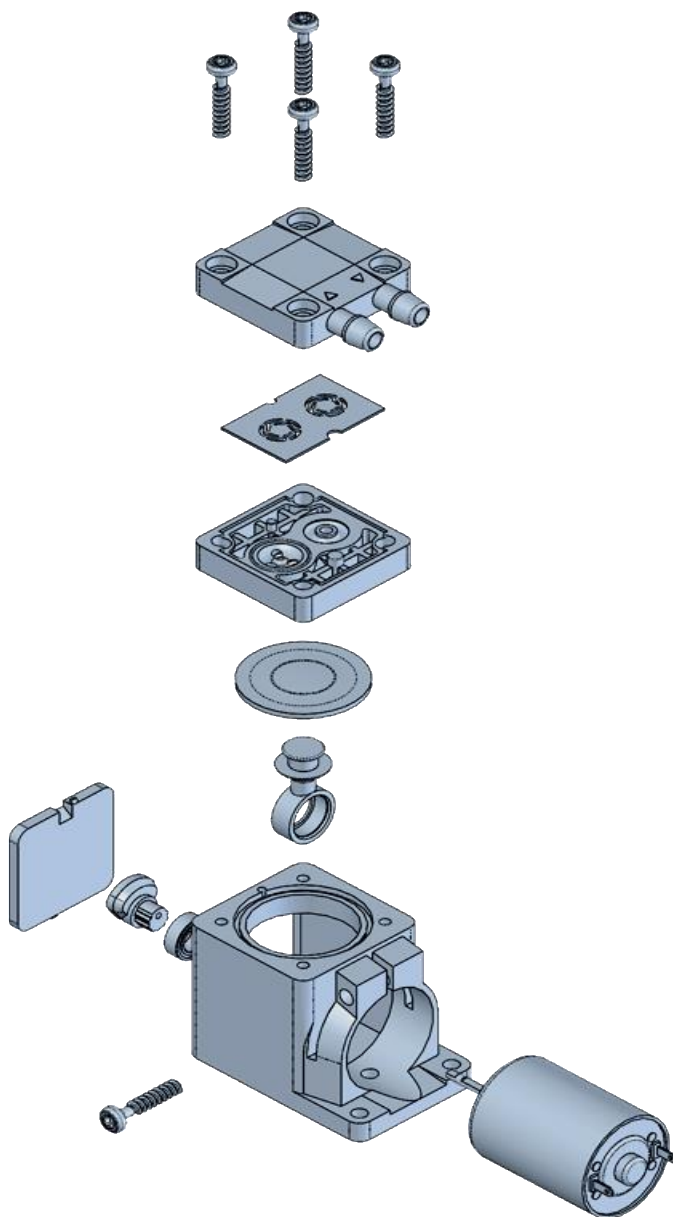
DISCLAIMER

Flow values are subject to the standard conditions specified in DIN 1343. The use of other materials may cause deviations in performance values. The technical data shown on this data sheet represents the typical mean values achieved by the products in our standard testing procedure. All data provided is for information only and does not represent production values. Standard products are subject to change without notice.

08.05.2025

CUSTOMISING

The pumps in this data sheet represent our standard types. All pumps can be customised exactly to your specific requirements in all parameters.



Pump heads

Different materials available

Connectors

Barbed fittings, internal threads and manifold mounting available. Selectable port direction.

Valves

Different designs and materials available.

Flow channels

Pressure- or vacuum-optimised.

Diaphragm

Application-specific designs. Free choice of materials, geometry, hardness, etc.

Connection rods

Available in different lengths.

Eccentric

Stroke and bearing selectable.

Housings

With individual mounting options and installation positions.

Drives

Iron core, coreless, shaded pole and brushless motors with choice of operating voltages and individual wiring.