



The pumps listed on this data sheet represent a cross-section of the large number of possibilities for each pump type. Based on our modular pump design, all pumps can be customised exactly to meet the needs of your application - within days and at standard pricing. Please contact us for details.



SP V 16 RO-6DC-A-DV
SP V 16 RO-12DC-A-DV

PRODUCT FEATURES

- Low pulsation
- Suitable for any mounting orientation
- Oil-free, maintenance-free, leak-tight
- Low vibration and sound level
- High efficiency
- Small size and low weight

TYPICAL APPLICATIONS

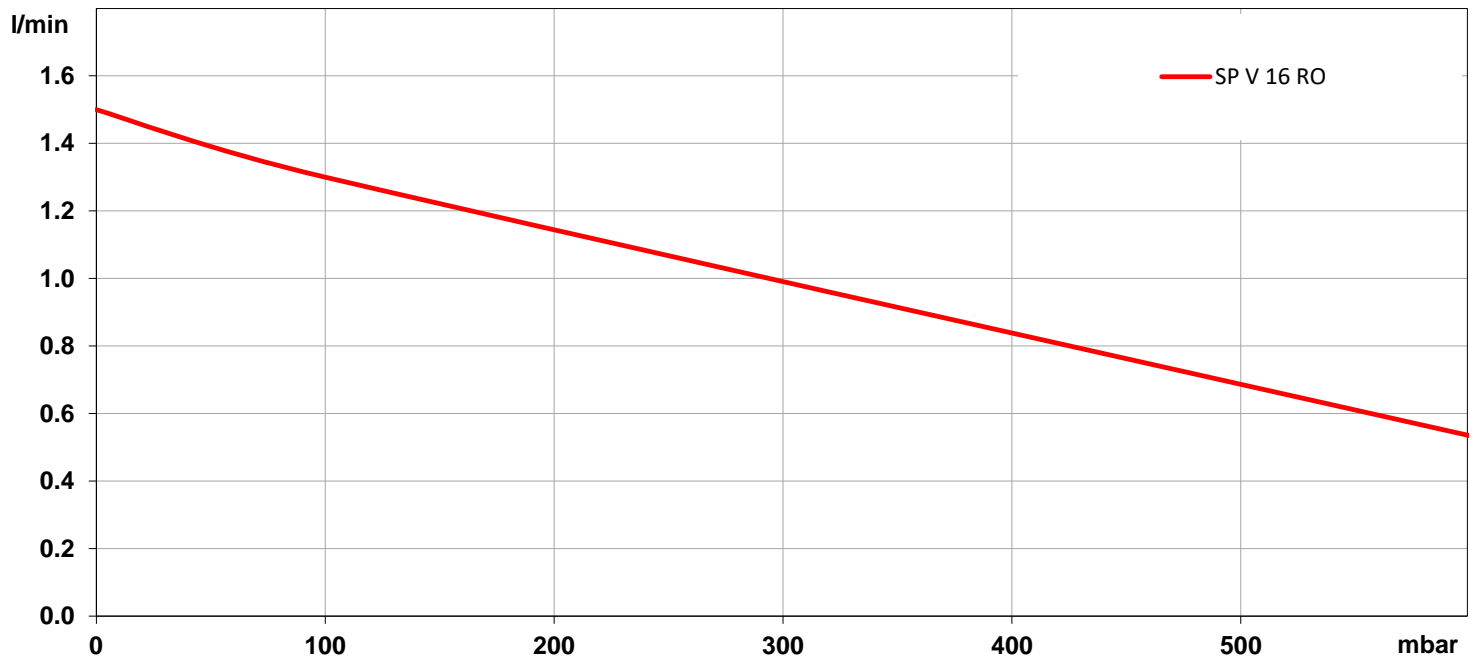
- Blood pressure monitoring



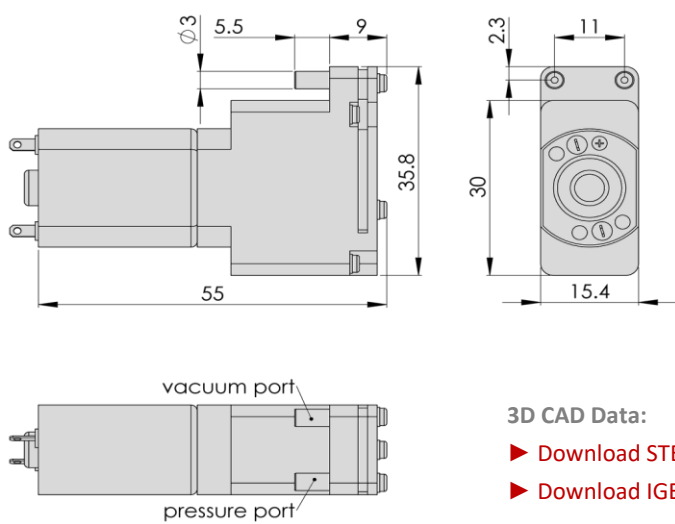
TYPE	SP V 16 RO-6DC-A-DV	SP V 16 RO-12DC-A-DV
Operating Voltage [Vdc]	6	12
Art. No.	7k73023	7k73022
max. Nominal Current [mA]	370	200
PERFORMANCE		
max. Flow [l/min]	1.5	1.5
max. Pressure [bar]	0.8	0.8
max. Vacuum [mbar]	-	-
MOTOR		
Standard Motor	iron core	
Standard Bearings	sintered bearings	
Motor Connection	soldering lugs	
Optional Motor	n/a	
Optional Bearings	n/a	
MATERIALS		
Standard Pump Head	ABS & POM	
Optional Pump Head	n/a	
Standard Diaphragm	EPDM	
Optional Diaphragm	n/a	
Standard Valves	NBR	
Optional Valves	n/a	
Standard Gaskets	EPDM	
Optional Gaskets	n/a	
PNEUMATIC CONNECTION		
Standard Connectors	straight connectors	
Optional Connectors	n/a	
DIMENSIONS + WEIGHT		
Dimensions [mm] W x H x L	15.4 x 35.8 x 55	
Weight [g]	38.5	



PERFORMANCE DIAGRAM | SP V 16 RO



DRAWING | SP V 16 RO



All dimensions given in [mm].

You can also download the 3D CAD files from the SP website:

▶ www.schwarzer.com/download



DISCLAIMER

Flow values are subject to the standard conditions specified in DIN 1343. The use of other materials may cause deviations in performance values. The technical data shown on this data sheet represents the typical mean values achieved by the products in our standard testing procedure. All data provided is for information only and does not represent production values. Standard products are subject to change without notice.

08.05.2025