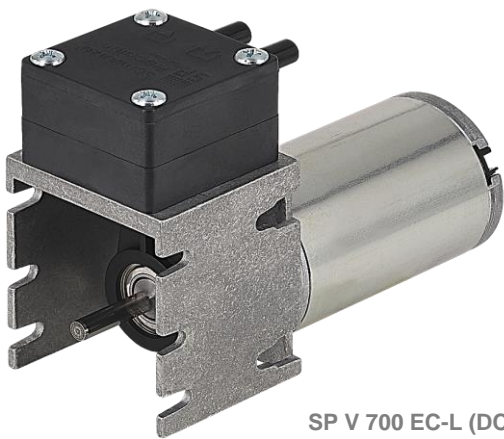




## SP V 700 EC Liquid

The pumps listed on this data sheet represent a cross-section of the large number of possibilities for each pump type. Based on our modular pump design, all pumps can be customised exactly to meet the needs of your application - within days and at standard pricing. Please contact us for details.



SP V 700 EC-L (DC)



SP V 700 EC-L (AC)

### PRODUCT FEATURES

- Chemical resistant versions available
- Small size and low weight
- Suitable for any mounting orientation
- Oil-free, maintenance-free
- Self-priming
- Low vibration and sound level

### TYPICAL APPLICATIONS

- Fuel cells
- Kidney dialysis
- Laboratory analysis
- Pipetting
- Cleaning and disinfection
- Inkjet printing



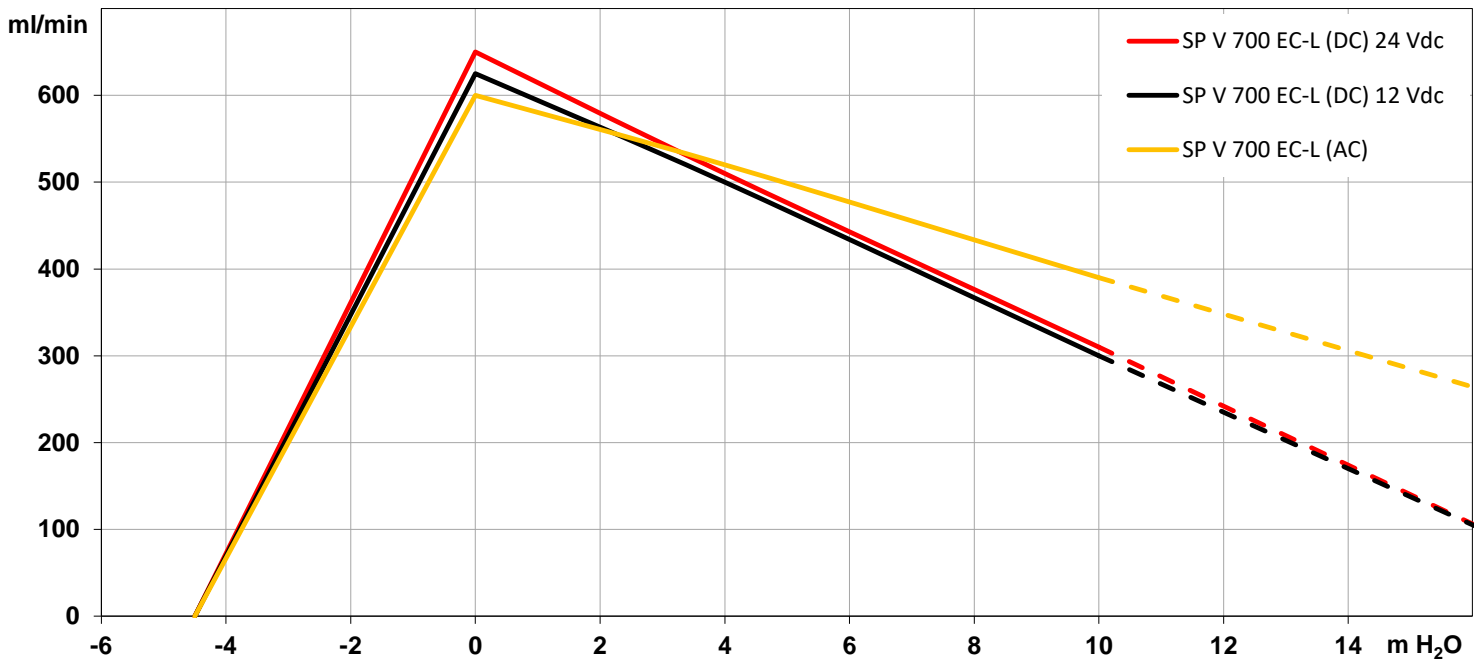
# SP V 700 EC Liquid

| TYPE                                     | SP V 700 EC-L (DC)  |         | SP V 700 EC-L (AC)               |         |
|--|---------------------|---------|----------------------------------|---------|
| Operating Voltage [Vdc]                  | 12                  | 24      | -                                | -       |
| Operating Voltage [Vac]                  | -                   | -       | 120                              | 230     |
| Frequency [Hz]                           | -                   | -       | 60                               | 50      |
| Art. No.                                 | 7e53023             | 7e53021 | 7e53025                          | 7e53024 |
| max. Nominal Current [mA]                | 800                 | 500     | 740                              | 330     |
| <b>PERFORMANCE</b>                       |                     |         |                                  |         |
| max. Flow [ml/min]                       | 625                 | 650     | 600                              | 600     |
| max. Pressure [m H <sub>2</sub> O]       | 10                  | 10      | 10                               | 10      |
| max. Suction Height [m H <sub>2</sub> O] | -4.5                | -4.5    | -4.5                             | -4.5    |
| max. Vacuum (dry) [mbar]                 |                     |         |                                  |         |
| <b>MOTOR</b>                             |                     |         |                                  |         |
| Standard Motor                           | iron core           |         | shaded pole                      |         |
| Standard Bearings                        | ball bearings       |         | ball bearings                    |         |
| Motor Connection                         | 2 wires             |         | soldering lugs / flat connectors |         |
| Optional Motor                           | n/a                 |         | n/a                              |         |
| Optional Bearings                        | sintered bearings   |         | n/a                              |         |
| <b>MATERIALS</b>                         |                     |         |                                  |         |
| Standard Pump Head                       | PPS                 |         |                                  |         |
| Optional Pump Head                       | PA6                 |         |                                  |         |
| Standard Diaphragm                       | FKM                 |         |                                  |         |
| Optional Diaphragm                       | EPDM                |         |                                  |         |
| Standard Valves                          | FKM                 |         |                                  |         |
| Optional Valves                          | n/a                 |         |                                  |         |
| Standard Gaskets                         | FKM                 |         |                                  |         |
| Optional Gaskets                         | n/a                 |         |                                  |         |
| <b>HYDRAULIC CONNECTION</b>              |                     |         |                                  |         |
| Standard Connectors                      | straight connectors |         |                                  |         |
| Optional Connectors                      | n/a                 |         |                                  |         |
| <b>DIMENSIONS + WEIGHT</b>               |                     |         |                                  |         |
| Dimensions [mm] W x H x L                | 64.3 x 84.9 x 117   |         | 98.6 x 75.4 x 139.9              |         |
| Weight [g]                               | 574                 |         | 1020                             |         |

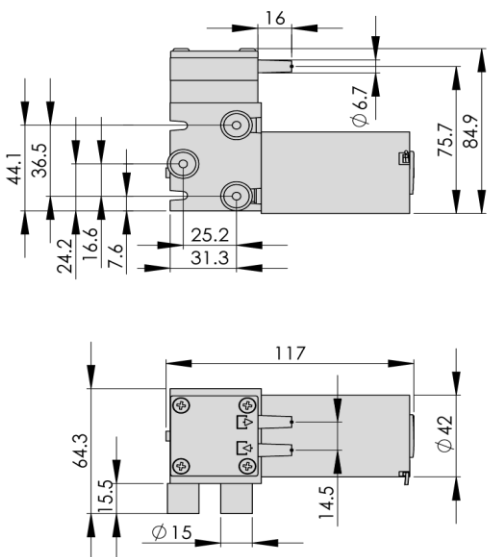


# SP V 700 EC Liquid

## PERFORMANCE DIAGRAM | SP V 700 EC-L



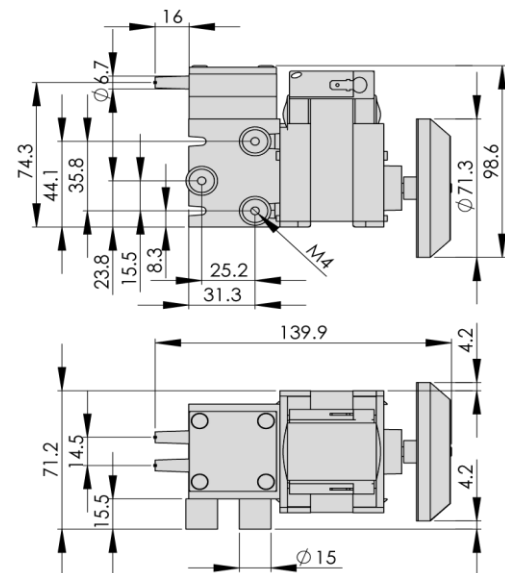
## DRAWING | SP V 700 EC-L (DC)



3D CAD Data:

- ▶ Download STEP
- ▶ Download IGES

## DRAWING | SP V 700 EC-L (AC)



3D CAD Data:

- ▶ Download STEP
- ▶ Download IGES

All dimensions given in [mm]. Drawing shows standard orientation of pneumatic connectors (3 alternative orientations possible).

You can also download the 3D CAD files from the SP website:

▶ [www.schwarzer.com/download](http://www.schwarzer.com/download)



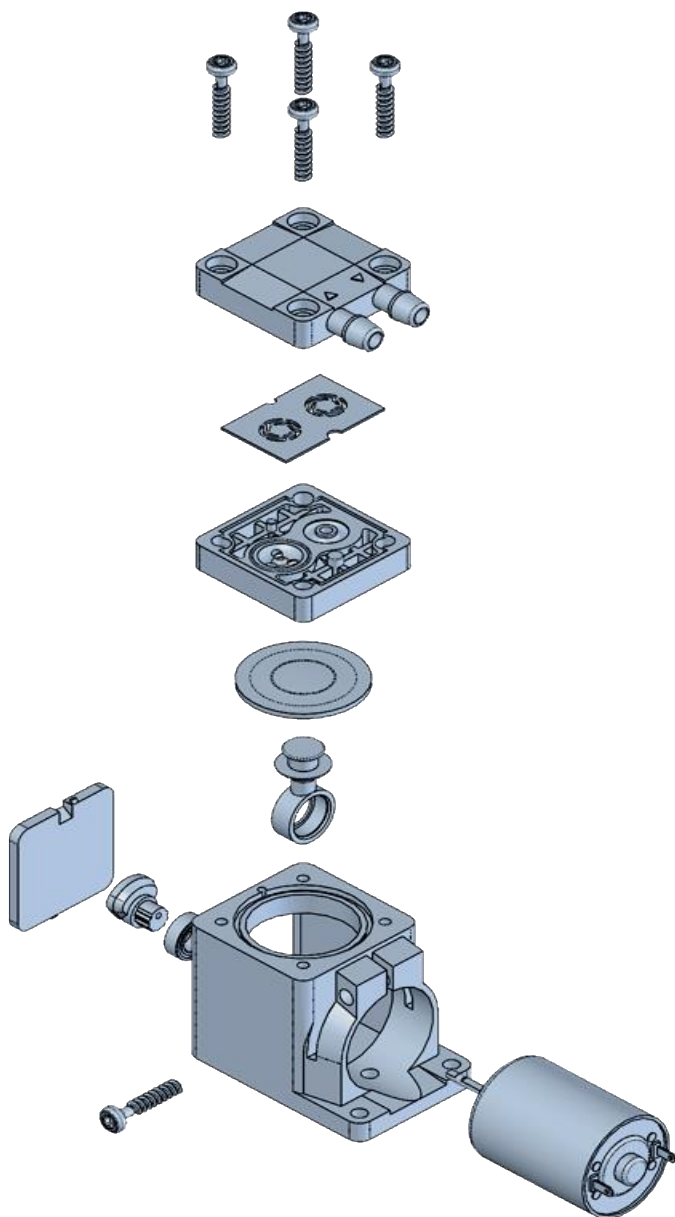
**DISCLAIMER**

Flow values are subject to the standard conditions specified in DIN 1343. The use of other materials may cause deviations in performance values. The technical data shown on this data sheet represents the typical mean values achieved by the products in our standard testing procedure. All data provided is for information only and does not represent production values. Standard products are subject to change without notice.

08.05.2025

**CUSTOMISING**

The pumps in this data sheet represent our standard types. All pumps can be customised exactly to your specific requirements in all parameters.



**Pump heads**

Different materials available

**Connectors**

Barbed fittings, internal threads and manifold mounting available. Selectable port direction.

**Valves**

Different designs and materials available.

**Flow channels**

Pressure- or vacuum-optimised.

**Diaphragm**

Application-specific designs. Free choice of materials, geometry, hardness, etc.

**Connection rods**

Available in different lengths.

**Eccentric**

Stroke and bearing selectable.

**Housings**

With individual mounting options and installation positions.

**Drives**

Iron core, coreless, shaded pole and brushless motors with choice of operating voltages and individual wiring.