

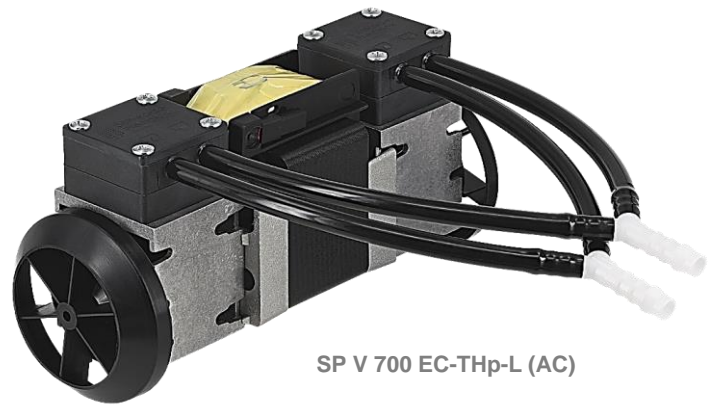


SP V 700 EC Twin Head Liquid

The pumps listed on this data sheet represent a cross-section of the large number of possibilities for each pump type. Based on our modular pump design, all pumps can be customised exactly to meet the needs of your application - within days and at standard pricing. Please contact us for details.



SP V 700 EC-THp-L (DC)



SP V 700 EC-THp-L (AC)

PRODUCT FEATURES

- Chemical resistant versions available
- Small size and low weight
- Suitable for any mounting orientation
- Oil-free, maintenance-free
- Self-priming
- Low vibration and sound level

TYPICAL APPLICATIONS

- Fuel cells
- Kidney dialysis
- Laboratory analysis
- Pipetting
- Cleaning and disinfection
- Inkjet printing



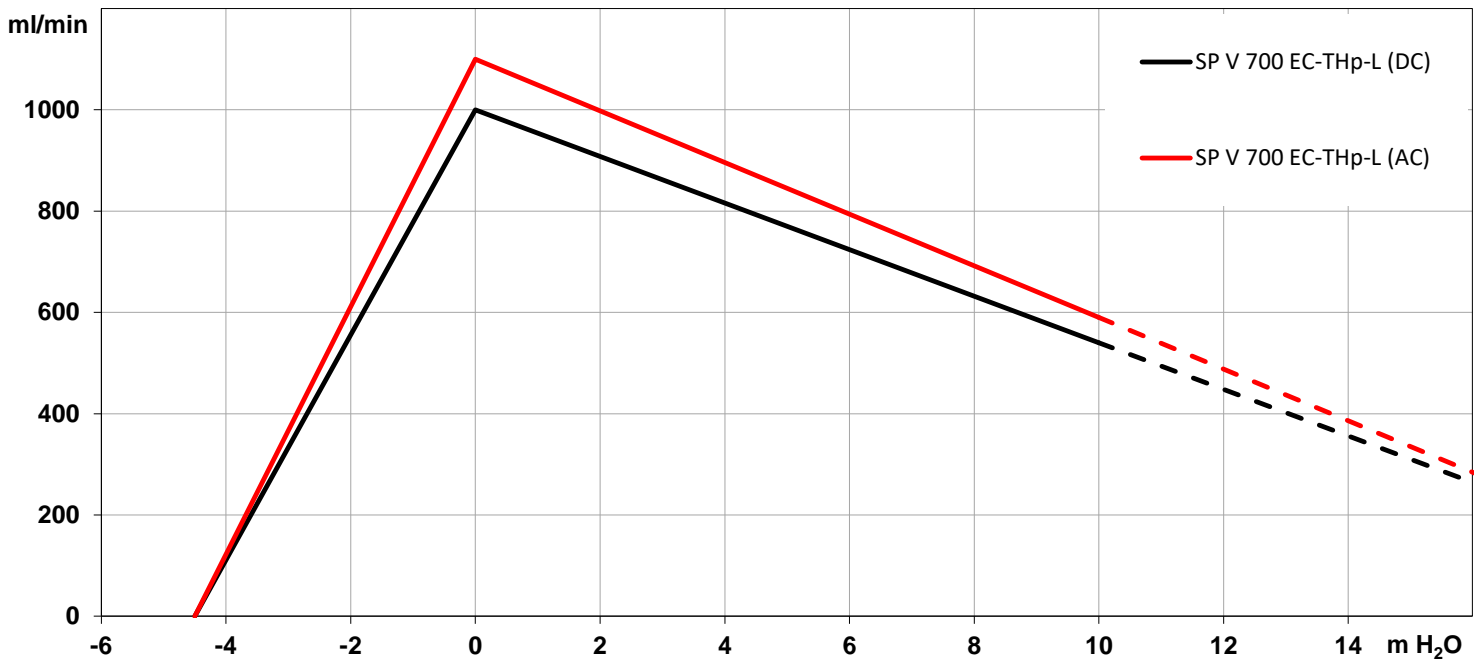
SP V 700 EC Twin Head Liquid

TYPE	SP V 700 EC-THp-L (DC)	SP V 700 EC-THp-L (AC)
Operating Voltage [Vdc]	12	-
Operating Voltage [Vac]	-	230
Frequency [Hz]	-	50
Art. No.	7e20026	7e20025
max. Nominal Current [mA]	2000	420
PERFORMANCE		
max. Flow [ml/min]	1000	1100
max. Pressure [m H ₂ O]	10	10
max. Suction Height [m H ₂ O]	-4.5	-4.5
max. Vacuum (dry) [mbar]	(tba)	(tba)
MOTOR		
Standard Motor	iron core	shaded pole
Standard Bearings	ball bearings	ball bearings
Motor Connection	2 wires	soldering lugs / flat connectors
Optional Motor	n/a	n/a
Optional Bearings	n/a	n/a
MATERIALS		
Standard Pump Head	PPS	
Optional Pump Head	PA6	
Standard Diaphragm	FKM	
Optional Diaphragm	EPDM	
Standard Valves	FKM	
Optional Valves	n/a	
Standard Gaskets	FKM	
Optional Gaskets	n/a	
HYDRAULIC CONNECTION		
Standard Connectors	straight connectors	
Optional Connectors	n/a	
DIMENSIONS + WEIGHT		
Dimensions [mm] W x H x L	76.5 x 85 x 163	76.6 x 98.6 x 191.2
Weight [g]	780	1800

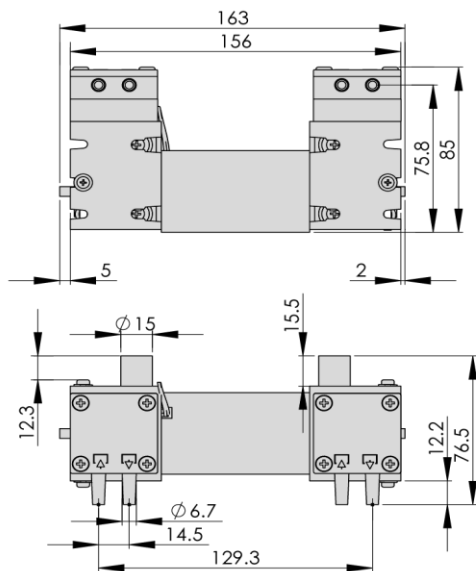


SP V 700 EC Twin Head Liquid

PERFORMANCE DIAGRAM | SP V 700 EC-THp-L



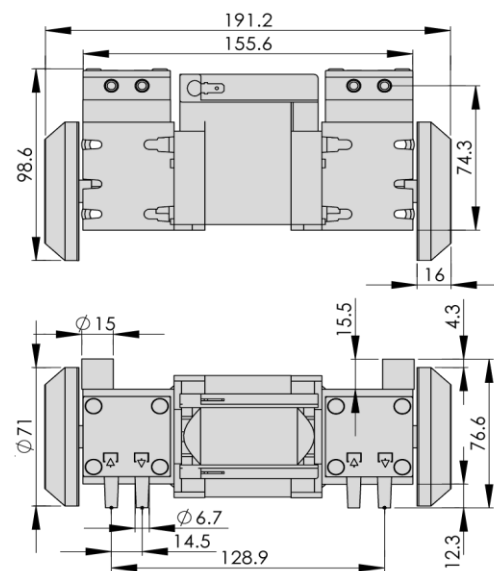
DRAWING | SP V 700 EC-THp-L (DC)



3D CAD Data:

- ▶ Download STEP
- ▶ Download IGES

DRAWING | SP V 700 EC-THp-L (AC)



3D CAD Data:

- ▶ Download STEP
- ▶ Download IGES

All dimensions given in [mm]. Drawing shows standard orientation of pneumatic connectors (3 alternative orientations possible).

You can also download the 3D CAD files from the SP website:

▶ www.schwarzer.com/download



SP V 700 EC Twin Head Liquid

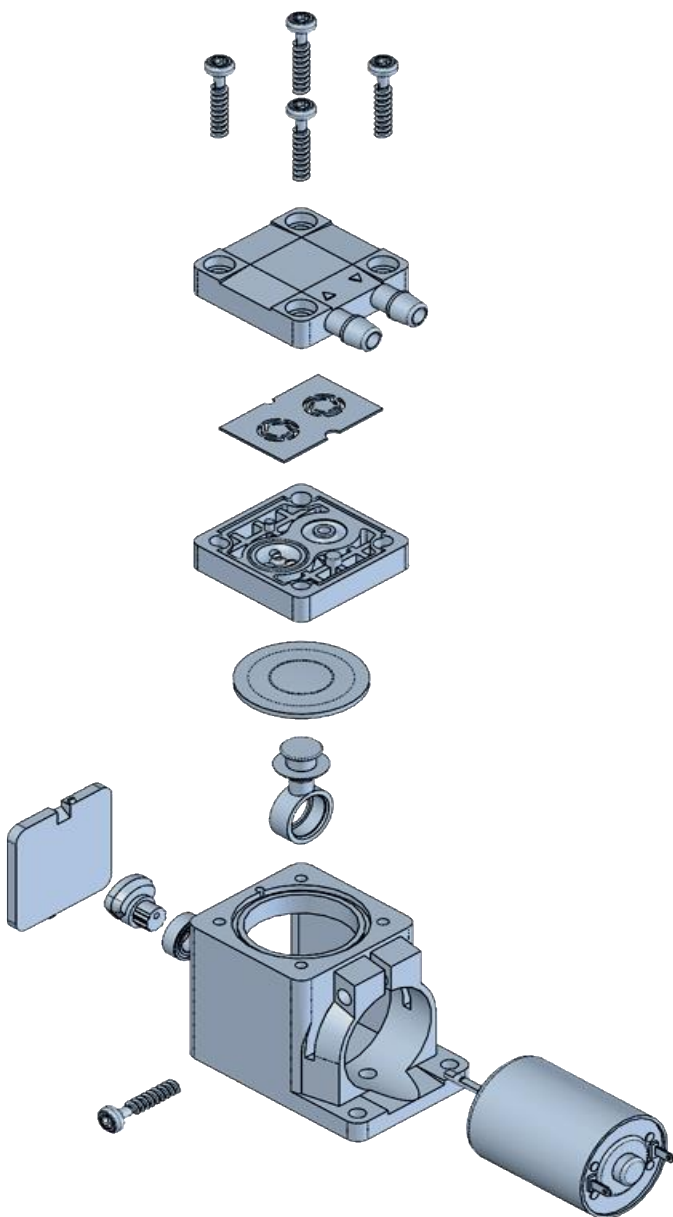
DISCLAIMER

Flow values are subject to the standard conditions specified in DIN 1343. The use of other materials may cause deviations in performance values. The technical data shown on this data sheet represents the typical mean values achieved by the products in our standard testing procedure. All data provided is for information only and does not represent production values. Standard products are subject to change without notice.

08.05.2025

CUSTOMISING

The pumps in this data sheet represent our standard types. All pumps can be customised exactly to your specific requirements in all parameters.



Pump heads

Different materials available

Connectors

Barbed fittings, internal threads and manifold mounting available. Selectable port direction.

Valves

Different designs and materials available.

Flow channels

Pressure- or vacuum-optimised.

Diaphragm

Application-specific designs. Free choice of materials, geometry, hardness, etc.

Connection rods

Available in different lengths.

Eccentric

Stroke and bearing selectable.

Housings

With individual mounting options and installation positions.

Drives

Iron core, coreless, shaded pole and brushless motors with choice of operating voltages and individual wiring.