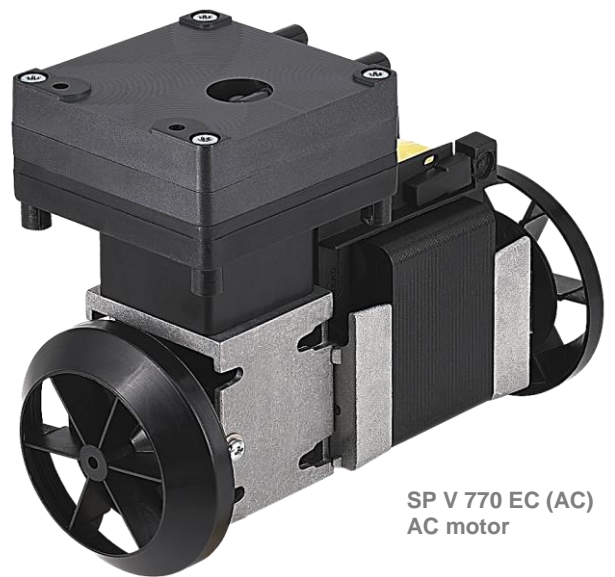




The pumps listed on this data sheet represent a cross-section of the large number of possibilities for each pump type. Based on our modular pump design, all pumps can be customised exactly to meet the needs of your application - within days and at standard pricing. Please contact us for details.



SP V 770 EC (DC)
DC motor



SP V 770 EC (AC)
AC motor



SP V 770 EC-BL
brushless motor

PRODUCT FEATURES

- Vacuum optimised design
- High efficiency and durable design
- Small size and low weight
- Low vibration and sound level
- Suitable for any mounting orientation
- Oil-free, maintenance-free, leak-tight

TYPICAL APPLICATIONS

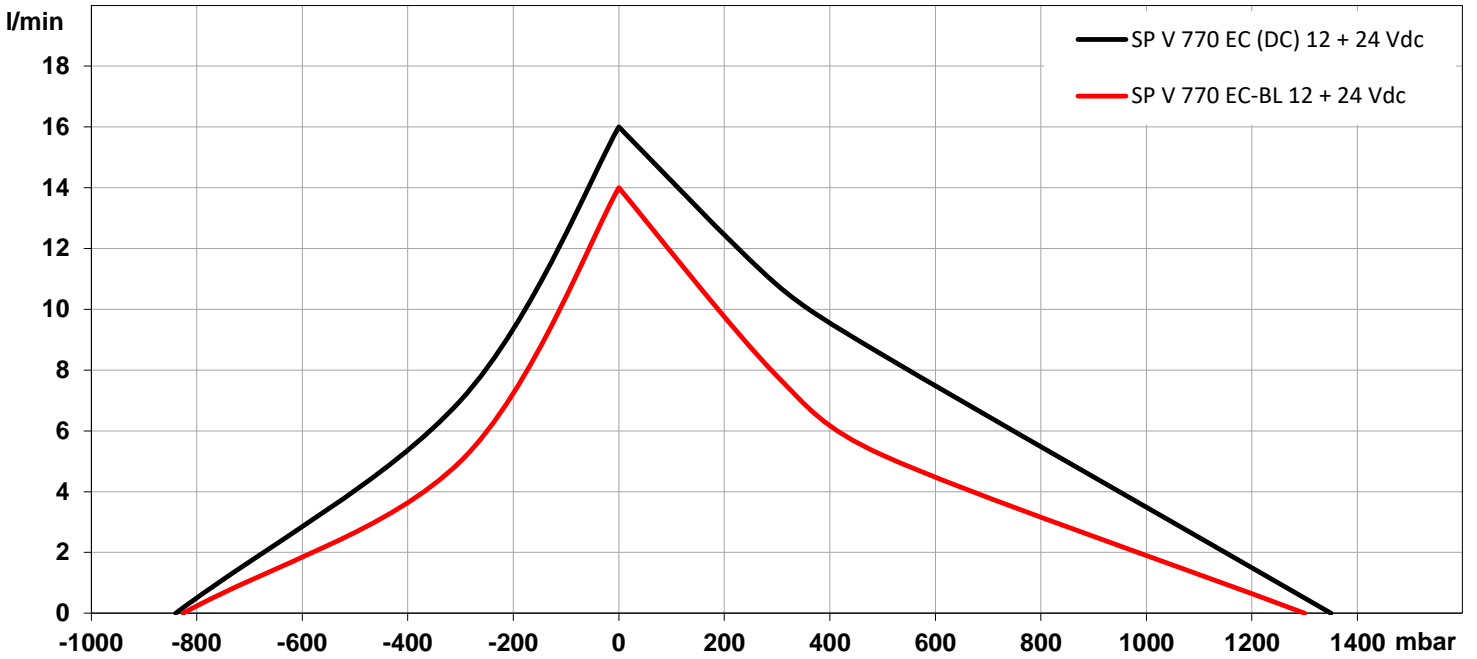
- Exhaust and flue gas analysis
- Auto samplers
- Blood pressure monitoring
- Gas analysis
- Anaesthesia monitoring
- Pipetting
- Pressure and vacuum supply



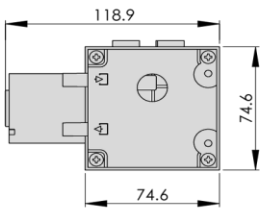
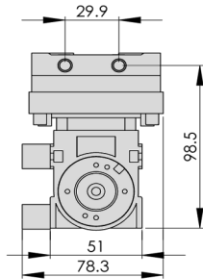
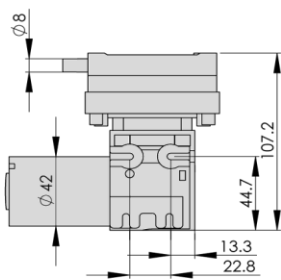
TYPE	SP V 770 EC (DC)		SP V 770 EC-BL		SP V 770 EC (AC)	
Operating Voltage [Vdc]	12	24	12	24	-	-
Operating Voltage [Vac]	-	-	-	-	120	230
Frequency [Hz]	-	-	-	-	60	50
Art. No.	7e53053	7e53052	7e53064	7e53065	7e53051	7e53050
max. Nominal Current [mA]	2300	1400	1200	1200	-	-
Power Consumption [W]	-	-	-	-	73	73
PERFORMANCE						
max. Flow [l/min]	16.0	16.0	14.0	14.0	15.5	18.0
max. Pressure [bar]	1.35	1.35	1.3	1.3	1.4	1.4
max. Vacuum [mbar]	-840	-840	-826	-826	-810	-810
MOTOR						
Standard Motor	iron core		brushless for analogue control		shaded pole	
Standard Bearings	ball bearings		ball bearings		ball bearings	
Motor Connection	2 wires		2 wires		soldering lugs / flat connectors	
Optional Motor	n/a		n/a		n/a	
Optional Bearings	n/a		n/a		n/a	
MATERIALS						
Standard Pump Head	PPS					
Optional Pump Head	PA6					
Standard Diaphragm	EPDM					
Optional Diaphragm	FKM					
Standard Valves	FKM					
Optional Valves	n/a					
Standard Gaskets	FKM					
Optional Gaskets	n/a					
PNEUMATIC CONNECTION						
Standard Connectors	straight connectors					
Optional Connectors	n/a					
DIMENSIONS + WEIGHT						
Dimensions [mm] W x H x L	78.3 x 107.2 x 118.9		78.6 x 110.8 x 99.4		75.8 x 136.8 x 170.3	
Weight [g]	685		580		1000	



PERFORMANCE DIAGRAM | SP V 770 EC (DC) - SP V 770 EC-BL



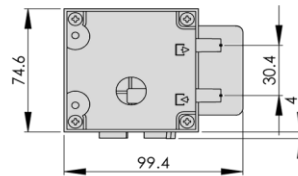
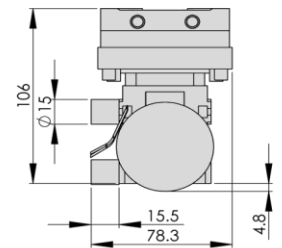
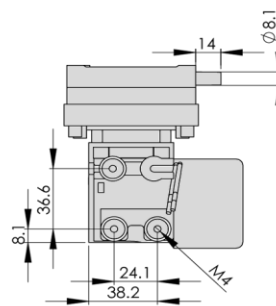
DRAWING | SP V 770 EC (DC)



3D CAD Data:

- ▶ Download STEP
- ▶ Download IGES

DRAWING | SP V 770 EC-BL



3D CAD Data:

- ▶ Download STEP
- ▶ Download IGES

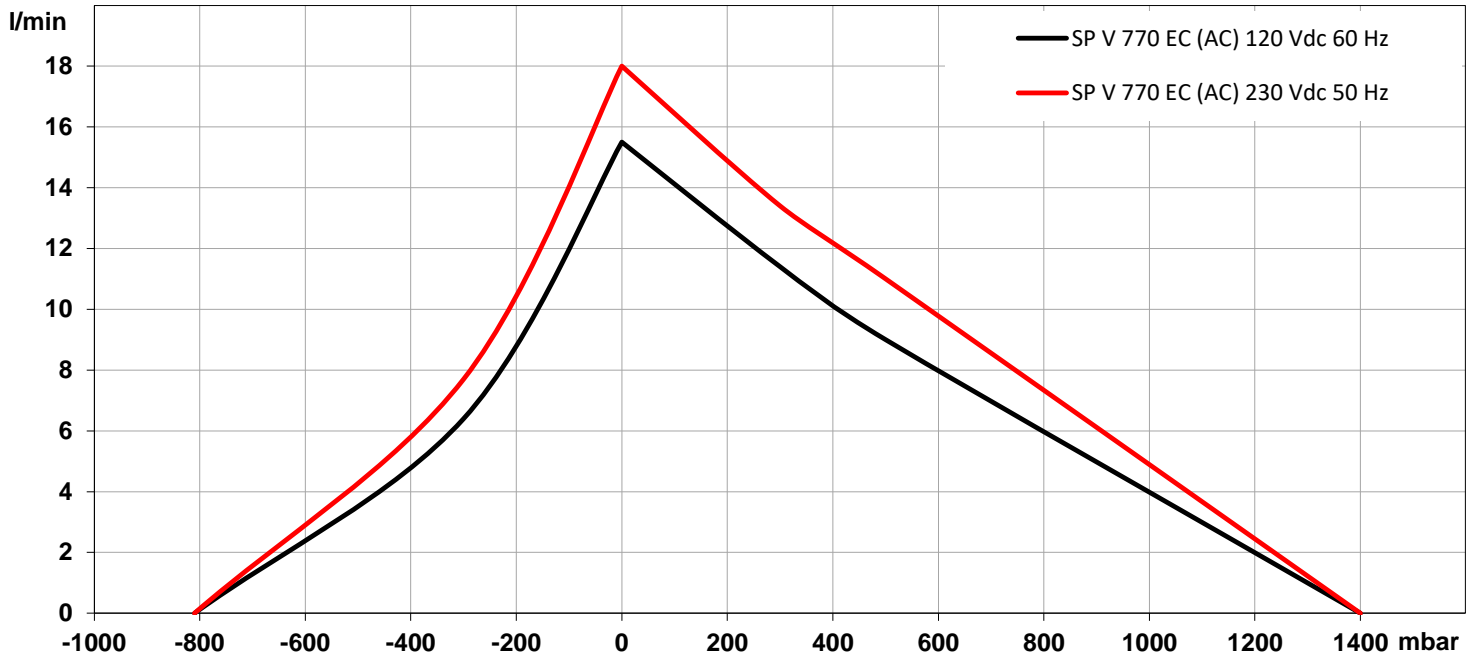
All dimensions given in [mm]. Drawing shows standard orientation of pneumatic connectors (3 alternative orientations possible).

You can also download the 3D CAD files from the SP website:

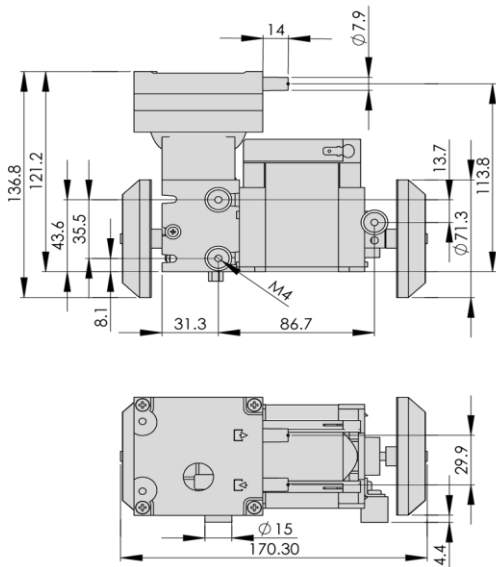
▶ www.schwarzer.com/download



PERFORMANCE DIAGRAM | SP V 730 EC-BL-VD



DRAWING | SP V 770 EC (AC)



3D CAD Data:

- ▶ Download STEP
- ▶ Download IGES

All dimensions given in [mm]. Drawing shows standard orientation of pneumatic connectors (3 alternative orientations possible).

You can also download the 3D CAD files from the SP website:

▶ www.schwarzer.com/download



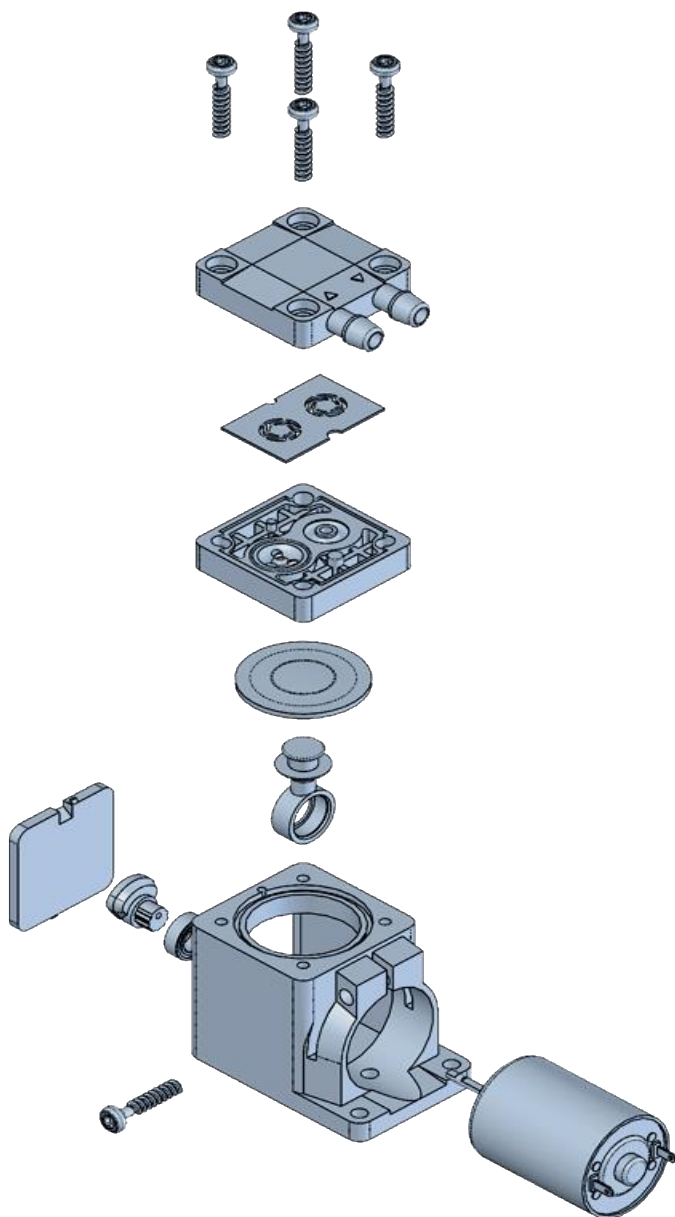
DISCLAIMER

Flow values are subject to the standard conditions specified in DIN 1343. The use of other materials may cause deviations in performance values. The technical data shown on this data sheet represents the typical mean values achieved by the products in our standard testing procedure. All data provided is for information only and does not represent production values. Standard products are subject to change without notice.

08.05.2025

CUSTOMISING

The pumps in this data sheet represent our standard types. All pumps can be customised exactly to your specific requirements in all parameters.



Pump heads

Different materials available

Connectors

Barbed fittings, internal threads and manifold mounting available. Selectable port direction.

Valves

Different designs and materials available.

Flow channels

Pressure- or vacuum-optimised.

Diaphragm

Application-specific designs. Free choice of materials, geometry, hardness, etc.

Connection rods

Available in different lengths.

Eccentric

Stroke and bearing selectable.

Housings

With individual mounting options and installation positions.

Drives

Iron core, coreless, shaded pole and brushless motors with choice of operating voltages and individual wiring.