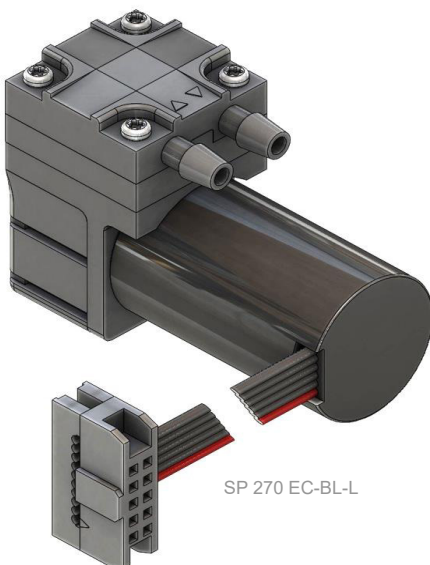


SP 270 EC-LC-L



SP 270 EC-BL-L



SP 270 EC-L
SP 270 EC-DB-L

Product Features

- diaphragm micro pump for liquids (e.g. water)
- oil free / maintenance free
- self priming
- reduced vibrations
- very low noise
- small size
- lightweight
- electrical motor driven
- minimal current consumption

Applications

- Industrial Applications
- Medical Applications
- Laboratory and Analytical Applications
- Cooling and Heating
- Cleaning
- Inkjet Printers



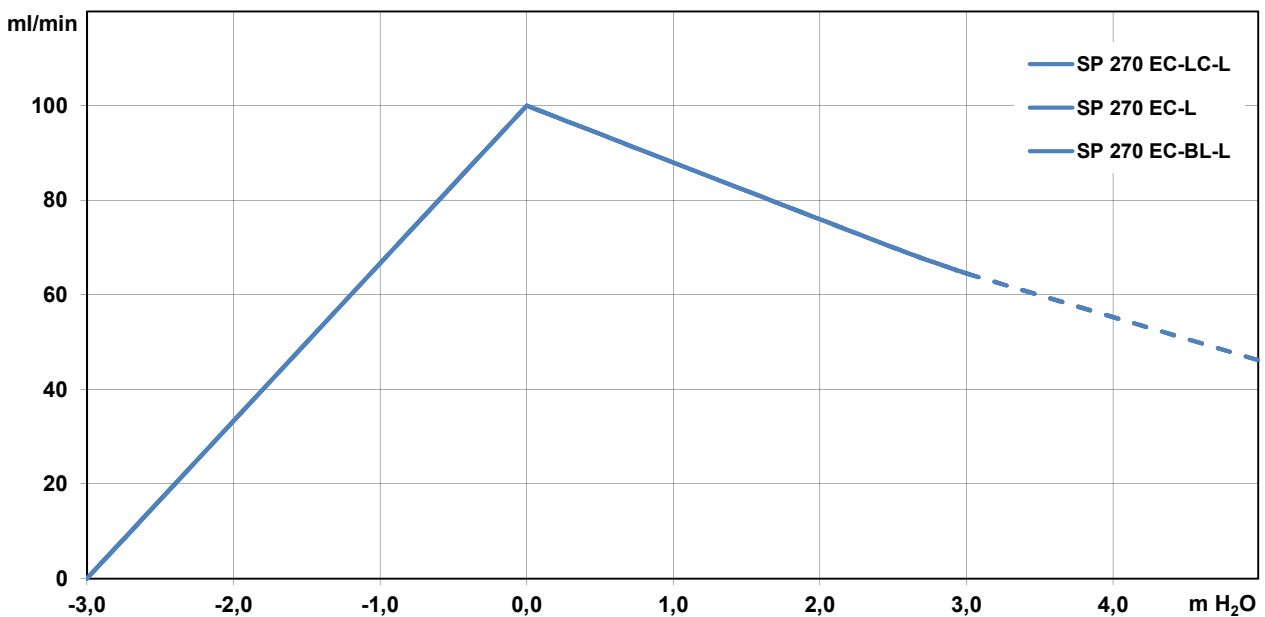
Am Lichtbogen 7 • 45141 Essen • Germany
Phone: +49 201 31697-0 • Fax: +49 201 31697-29
e-mail: info@schwarzer.com • <http://www.schwarzer.com>



The pumps listed below represent a typical selection of our wide range of eccentric pumps and are intended for initial tests. Customised versions for your individual application would be made without extra costs - please contact us!

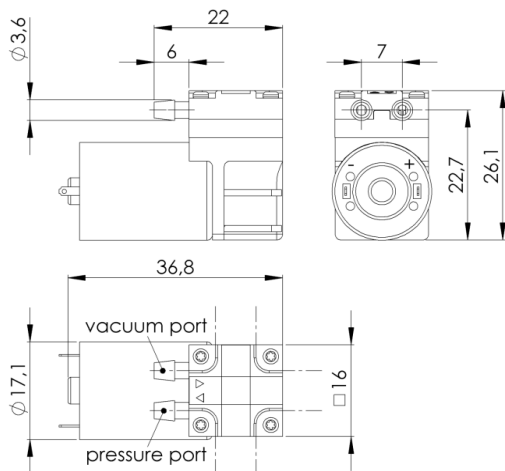
Designation		SP 270 EC-LC-L			SP 270 EC-L			SP 270 EC-BL-L
Operating Voltage [Vdc]		3	5	12	3	6	12	12
Art.No.		7s55160	7s55161	7s55156	7s55157	7s55158	7s55159	7s55155
Hydraulic Performance (measured with water at 20°C)								
Free Flow [ml/min]		100	100	100	100	100	100	100
Flow at 2,5 m H ₂ O [ml/min]		70	70	70	70	70	70	70
Max Press. Height [m H ₂ O]		10	10	10	10	10	10	10
Although the pumps are able to produce pressure above 10 mWC, it is not recommended to exceed this limit!								
Max Suction Height (filled with water) [m H ₂ O]		-3,0	-3,0	-3,0	-3,0	-3,0	-3,0	-3,0
Max Vacuum (dry) [mbar]		-300	-300	-300	-300	-300	-300	-300
Power Consumption								
Motor Type	standard	iron core			long life skew wound, sintered bearing			brushless, analogue speed control
	optional	-			double ball bearing (270 EC-DB-L)			PWM control
For extended lifetime ball-bearings are recommended!								
Max. Curr. at free flow [mA]		350	250	100	350	200	100	250
Construction								
Pump Head	standard				PPS			
	optional				customer specific (upon request)			
Diaphragm, Valves	standard				EPDM			
	optional				FKM			
Weight [g]		25			29			23

Performance Curves

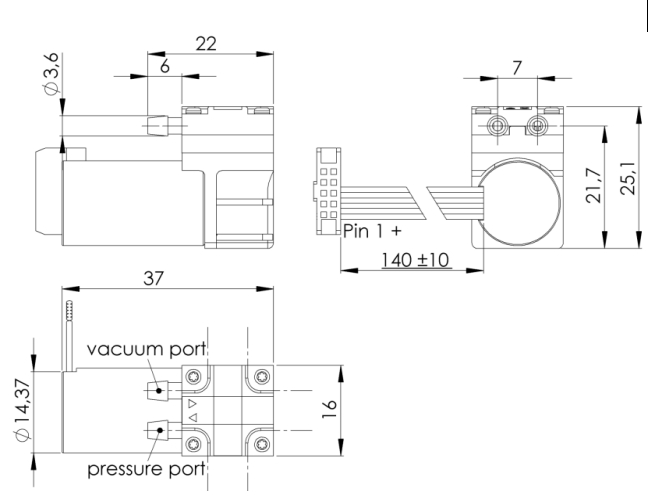




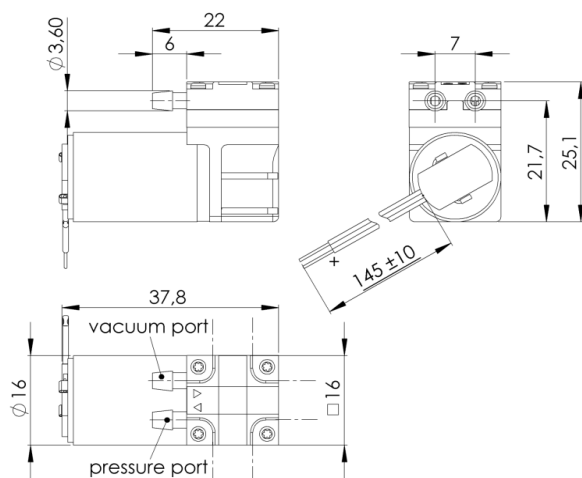
SP 270 EC-LC-L



SP 270 EC-BL-L



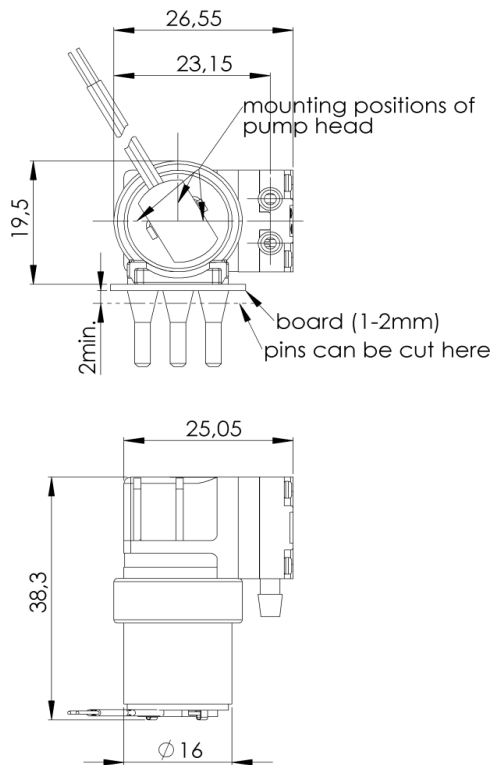
SP 270 EC-L / 270 EC-DB-L



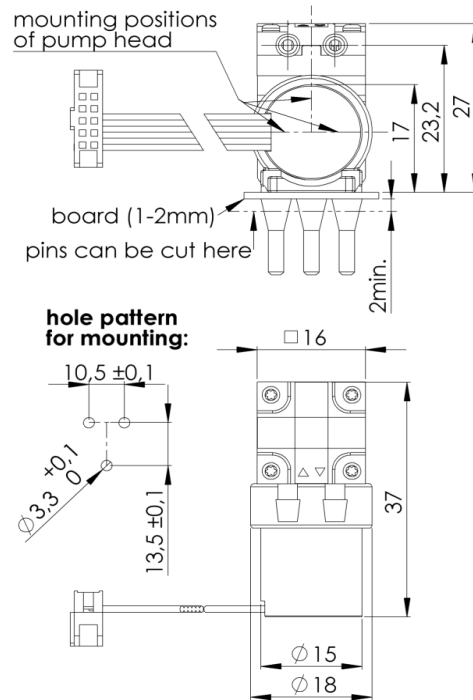
Standard: connection ports as shown.
Optional: 3 other port positions possible (see dashed lines)



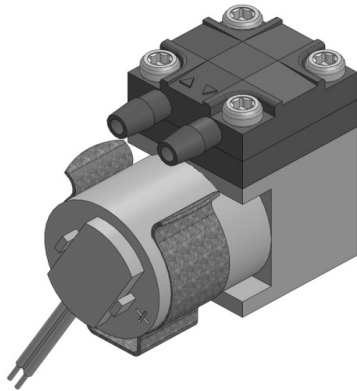
Rubber Mounting for 270 EC-L / EC-DB-L / EC-LC-L



Rubber Mounting for 270 EC-BL-L

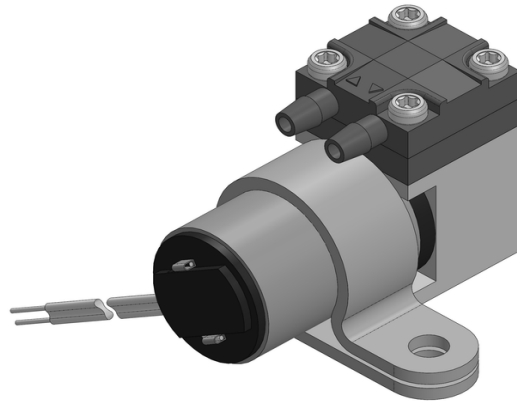


Metal Bracket for 270 EC-L / EC-DB-L / EC-LC-L



Art.No.: 5.58.14

PA66 Plastic Bracket for 270 EC-L / EC-DB-L / EC-LC-L



Art.No.: 5.58.01

In order to reduce noise and vibration we recommend securing the pump in one of the following ways:

- with padded double sided adhesive tape
- with Velcro (hook and loop) tape for easy assembly and service
- Put the pump in a box lined with foam. Wires for the motor and tubing for the pump can lead through a hole in the side of the box.