



SP 302 SA



SP 402 SA

Product Features

- oil free
- maintenance free
- reduced vibrations
- low noise
- very long life time

Applications

- Laboratory Equipment
- Industrial Applications



Schwarzer
Precision

Am Lichtbogen 7 • 45141 Essen • Germany
Phone: +49 201 31697-0 • Fax: +49 201 31697-29
e-mail: info@schwarzer.com • <http://www.schwarzer.com>



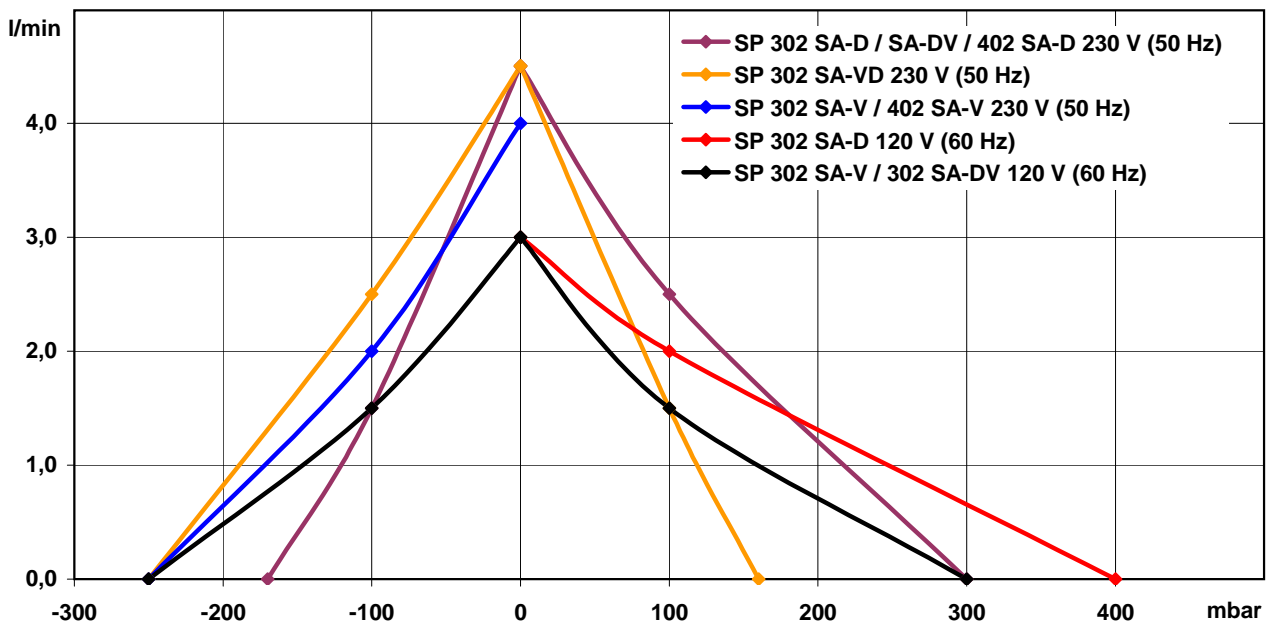
SP 302 SA / 402 SA

These pumps are our standard models. For special requirements we are offering customised versions. Please contact us!

Designation	SP 302 SA							SP 402 SA			
Configuration Code	-D Pressure only		-V Vacuum only		-DV Pressure + Vacuum*		-VD Pressure + Vacuum*		-DV Pressure + Vacuum*		
Art.No. 230 V (50 Hz)	7s15000		7s05000		7s05022	7s05018			7s06000	7s16000	
Art.No. 120 V (60Hz)		7s15005		7s05001				7s05033			
Outlet Configuration	Nozzle		Silencer		Nozzle		Nozzle		Silencer	Nozzle	
Inlet Configuration	Foam Filter		Fabric Mesh		Filter with Nozzle		Filter with Nozzle		Silencer	Foam Filter	
Pump Control			On/Off Switch						Potentiometer		
Pneumatic Performance											
Free Flow [l/min]	4,5	3,0	4,0	3,0	4,5	4,5	3,0	4,0	4,5		
flow at: Pressure Side											
100 mbar [l/min]	2,5	2,0	-	-	2,5	1,5	2,2	-	2,5		
max. Pressure [mbar]	300	400	-	-	300	160	300	-	300		
flow at: Vacuum Side											
-100 mbar [l/min]	-	-	2,0	1,5	1,5	2,5	1,5	2,0	-		
max. Vacuum [mbar]	-	-	-250	-250	-170	-250	-250	-250	-		
Motor / Power Consumption											
Motor Type	Electromagnetic							Electromagnetic			
Power consumption	4,0 W							4,5 W			
Construction											
Diaphragm / Seal	EPDM							EPDM			
Valves	standard							CR			
	optional							-			
Weight [g]	850							850			

* DV: optimized Pressure Performance / VD: optimized Vacuum Performance

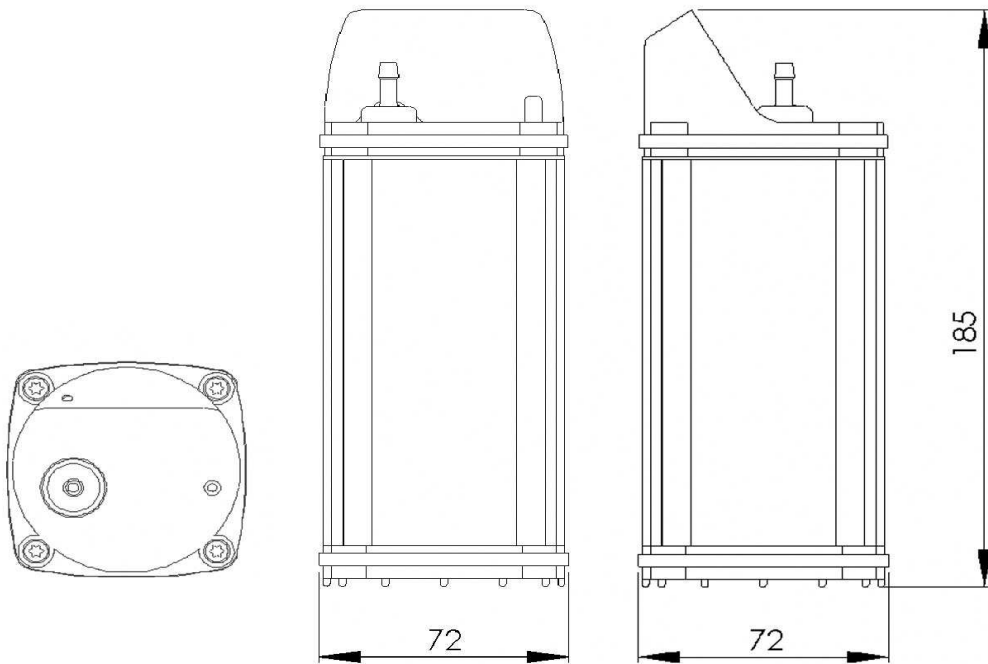
Performance Curves



Am Lichtbogen 7 • 45141 Essen • Germany
 Phone: +49 201 31697-0 • Fax: +49 201 31697-29
 e-mail: info@schwarzer.com • http://www.schwarzer.com



SP 302 SA / 402 SA



SP 302 SA-D



SP 302 SA-V



SP 302 SA-VD / SP 302 SA-DV



SP 402 SA-D



SP 402 SA-V



optional: without Switch*



* (for all SP 302 SA Models)